

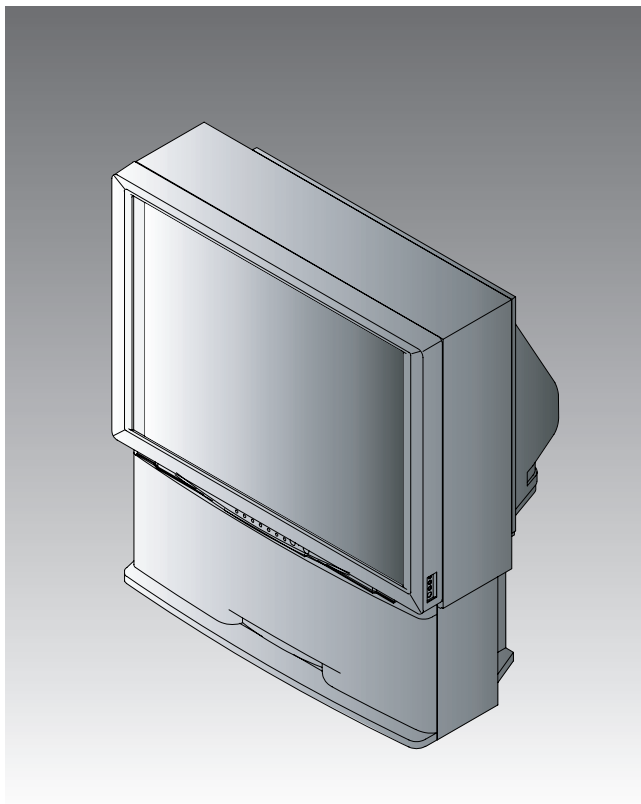


PROJECTION TV RECEIVER

Chassis : P51A(N) REV.1
Model : PCK520R5C/XAA

SERVICE Manual

PROJECTION TV RECEIVER



CONTENTS

1. Precautions
2. Reference Information
3. Specifications
4. Alignment and Adjustments
5. Troubleshooting
6. Exploded View & Part List
7. Electrical Part List
8. Block Diagrams
9. Wiring Diagram
10. Schematic Diagrams



This Service Manual is a property of Samsung Electronics Co.,Ltd.
Any unauthorized use of Manual can be punished under applicable
International and/or domestic law.

© Samsung Electronics Co., Ltd. **Jan. 2006**
Printed in Korea
AA82-03340A

1. Precautions

Follow these safety, servicing and ESD precautions to prevent damage and protect against potential hazards such as electrical shock and X-rays.

1-1 Safety Precautions

1. Be sure that all of the built-in protective devices are replaced. Restore any missing protective shields.
2. When reinstalling the chassis and its assemblies, be sure to restore all protective devices, including: nonmetallic control knobs and compartment covers.
3. Make sure that there are no cabinet openings through which people—particularly children—might insert fingers and contact dangerous voltages. Such openings include the spacing between the picture tube and the cabinet mask, excessively wide cabinet ventilation slots, and improperly fitted back covers.

If the measured resistance is less than 1.0 megohm or greater than 5.2 megohms, an abnormality exists that must be corrected before the unit is returned to the customer.

4. Leakage Current Hot Check (Figure 1-1):
Warning: Do not use an isolation transformer during this test. Use a leakage-current tester or a metering system that complies with American National Standards Institute (ANIS C101.1, Leakage Current for Appliances), and Underwriters Laboratories (UL Publication UL1410, 59.7).
5. With the unit completely reassembled, plug the AC line cord directly into the power outlet. With the unit's AC switch first in the ON position and then OFF, measure the current between a known earth ground (metal water pipe, conduit, etc.) and all exposed metal parts, including: antennas, handle brackets, metal cabinets, screwheads and control shafts. The current measured should not exceed 0.5 milliamp. Reverse the power-plug prongs in the AC outlet and repeat the test.

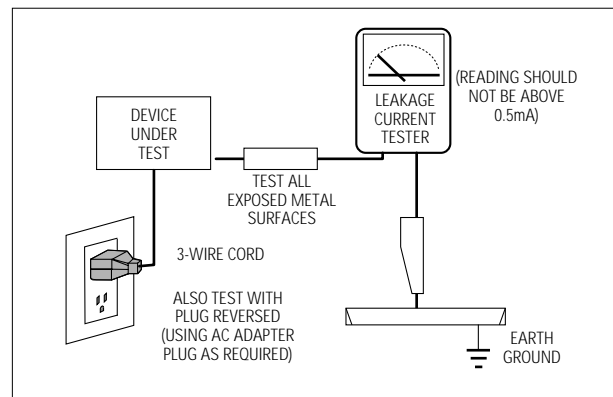


Fig. 1-1 AC Leakage Test

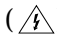
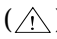
6. Antenna Cold Check:
With the unit's AC plug disconnected from the AC source, connect an electrical jumper across the two AC prongs. Connect one lead of the ohmmeter to an AC prong. Connect the other lead to the coaxial connector.
7. X-ray Limits:
The picture tube is especially designed to prohibit X-ray emissions. To ensure continued X-ray protection, replace the picture tube only with one that is the same type as the original. Carefully reinstall the picture tube shields and mounting hardware; these also provide X-ray protection.
8. High Voltage Limits:
High voltage must be measured each time servicing is done on the B+, horizontal deflection or high voltage circuits. Correct operation of the X-ray protection circuits must be reconfirmed whenever they are serviced.
(X-ray protection circuits also may be called "horizontal disable" or "hold-down".)

Heed the high voltage limits. These include the X-ray Protection Specifications Label, and the Product Safety and X-ray Warning Note on the service data schematic.

1-1 Safety Precautions (Continued)

9. High voltage is maintained within specified limits by close-tolerance, safety-related components and adjustments. If the high voltage exceeds the specified limits, check each of the special components.
10. Design Alteration Warning:
Never alter or add to the mechanical or electrical design of this unit. Example: Do not add auxiliary audio or video connectors. Such alterations might create a safety hazard. Also, any design changes or additions will void the manufacturer's warranty.
11. Hot Chassis Warning:
Some TV receiver chassis are electrically connected directly to one conductor of the AC power cord. If an isolation transformer is not used, these units may be safely serviced only if the AC power plug is inserted so that the chassis is connected to the ground side of the AC source.

To confirm that the AC power plug is inserted correctly, do the following: Using an AC voltmeter, measure the voltage between the chassis and a known earth ground. If the reading is greater than 1.0V, remove the AC power plug, reverse its polarity and reinsert. Re-measure the voltage between the chassis and ground.
12. Some TV chassis are designed to operate with 85 volts AC between chassis and ground, regardless of the AC plug polarity. These units can be safely serviced only if an isolation transformer inserted between the receiver and the power source.
13. Some TV chassis have a secondary ground system in addition to the main chassis ground. This secondary ground system is not isolated from the AC power line. The two ground systems are electrically separated by insulating material that must not be defeated or altered.
14. Components, parts and wiring that appear to have overheated or that are otherwise damaged should be replaced with parts that meet the original specifications. Always determine the cause of damage or overheating, and correct any potential hazards.
15. Observe the original lead dress, especially near the following areas: Antenna wiring, sharp edges, and especially the AC and high voltage power supplies. Always inspect for pinched, out-of-place, or frayed wiring. Do not change the spacing between components and the printed circuit board. Check the AC power cord for damage. Make sure that leads and components do not touch thermally hot parts.
16. Picture Tube Implosion Warning:
The picture tube in this receiver employs "integral implosion" protection. To ensure continued implosion protection, make sure that the replacement picture tube is the same as the original.
17. Do not remove, install or handle the picture tube without first putting on shatterproof goggles equipped with side shields. Never handle the picture tube by its neck. Some "in-line" picture tubes are equipped with a permanently attached deflection yoke; do not try to remove such "permanently attached" yokes from the picture tube.
18. Product Safety Notice:
Some electrical and mechanical parts have special safety-related characteristics which might not be obvious from visual inspection. These safety features and the protection they give might be lost if the replacement component differs from the original—even if the replacement is rated for higher voltage, wattage, etc.

Components that are critical for safety are indicated in the circuit diagram by shading, () or ().
Use replacement components that have the same ratings, especially for flame resistance and dielectric strength specifications. A replacement part that does not have the same safety characteristics as the original might create shock, fire or other hazards.

1-2 Servicing Precautions

Warning 1 : First read the "Safety Precautions" section of this manual. If some unforeseen circumstance creates a conflict between the servicing and safety precautions, always follow the safety precautions.

Warning 2 : An electrolytic capacitor installed with the wrong polarity might explode.

1. Servicing precautions are printed on the cabinet. Follow them.
2. Always unplug the unit's AC power cord from the AC power source before attempting to: (a) Remove or reinstall any component or assembly, (b) Disconnect an electrical plug or connector, (c) Connect a test component in parallel with an electrolytic capacitor.
3. Some components are raised above the printed circuit board for safety. An insulation tube or tape is sometimes used. The internal wiring is sometimes clamped to prevent contact with thermally hot components. Reinstall all such elements to their original position.
4. After servicing, always check that the screws, components and wiring have been correctly reinstalled. Make sure that the portion around the serviced part has not been damaged.
5. Check the insulation between the blades of the AC plug and accessible conductive parts (examples: metal panels, input terminals and earphone jacks).
6. **Insulation Checking Procedure:** Disconnect the power cord from the AC source and turn the power switch ON. Connect an insulation resistance meter (500V) to the blades of the AC plug.

The insulation resistance between each blade of the AC plug and accessible conductive parts (see above) should be greater than 1 megohm.
7. Never defeat any of the B+ voltage interlocks. Do not apply AC power to the unit (or any of its assemblies) unless all solid-state heat sinks are correctly installed.
8. Always connect a test instrument's ground lead to the instrument chassis ground before connecting the positive lead; always remove the instrument's ground lead last.
9. When some parts inside the optical engine (except lamp) are damaged, replace the whole optical engine.

1-3 Precautions for Electrostatically Sensitive Devices (ESDs)

1. Some semiconductor (“solid state”) devices are easily damaged by static electricity. Such components are called Electrostatically Sensitive Devices (ESDs); examples include integrated circuits and some field-effect transistors. The following techniques will reduce the occurrence of component damage caused by static electricity.
2. Immediately before handling any semiconductor components or assemblies, drain the electrostatic charge from your body by touching a known earth ground. Alternatively, wear a discharging wrist-strap device. (Be sure to remove it prior to applying power—this is an electric shock precaution.)
3. After removing an ESD-equipped assembly, place it on a conductive surface such as aluminum foil to prevent accumulation of electrostatic charge.
4. Do not use freon-propelled chemicals. These can generate electrical charges that damage ESDs.
5. Use only a grounded-tip soldering iron when soldering or unsoldering ESDs.
6. Use only an anti-static solder removal device. Many solder removal devices are not rated as “anti-static”; these can accumulate sufficient electrical charge to damage ESDs.
7. Do not remove a replacement ESD from its protective package until you are ready to install it. Most replacement ESDs are packaged with leads that are electrically shorted together by conductive foam, aluminum foil or other conductive materials.
8. Immediately before removing the protective material from the leads of a replacement ESD, touch the protective material to the chassis or circuit assembly into which the device will be installed.
9. Minimize body motions when handling unpackaged replacement ESDs. Motions such as brushing clothes together, or lifting a foot from a carpeted floor can generate enough static electricity to damage an ESD.

2. Reference Information

2-1 Tables of Abbreviations and Acronyms

Table 2-1 Abbreviations

A	Ampere	MV	Megavolt
Ah	Ampere-hour	MW	Megawatt
Å	Angstrom	MΩ	Megohm
dB	Decibel	m	Meter
dBm	Decibel Referenced to One Milliwatt	μA	Microampere
°C	Degree Celsius	μF	Microfarad
°F	Degree Fahrenheit	μH	Microhenry
°K	degree Kelvin	μm	Micrometer
F	Farad	μs	Microsecond
G	Gauss	μW	Microwatt
GHz	Gigahertz	mA	Milliampere
g	Gram	mg	Milligram
H	Henry	mH	Millihenry
Hz	Hertz	ml	Milliliter
h	Hour	mm	Millimeter
ips	Inches Per Second	ms	Millisecond
kWh	Kilowatt-hour	mV	Millivolt
kg	Kilogram	nF	Nanofarad
kHz	Kilohertz	Ω	Ohm
kΩ	Kilohm	pF	Picofarad
km	Kilometer	lb	Pound
km/h	Kilometer Per Hour	rpm	Revolutions Per Minute
kV	Kilovolt	rps	Revolutions Per Second
kVA	Kilovolt-ampere	s	Second (Time)
kW	Kilowatt	V	Volt
l	Liter	VA	Volt-ampere
MHz	Megahertz	W	Watt
		Wh	Watt-hour

Table 2-2 Table of Acronyms

ABL	Automatic Brightness Limiter	I/O	Input/output
AC	Alternating Current	L	Left
ACC	Automatic Chroma Control	L	Low
AF	Audio Frequency	LED	Light Emitting Diode
AFC	Automatic Frequency Control	LF	Low Frequency
AFT	Automatic Fine Tuning	MOSFET	Metal-Oxide-Semiconductor-Field-Effect-Tr
AGC	Automatic Gain Control	MTS	Multi-channel Television Sound
AM	Amplitude Modulation	NAB	National Association of Broadcasters
ANSI	American National Standards Institute	NEC	National Electric Code
APC	Automatic Phase Control	NTSC	National Television Systems Committee
APC	Automatic Picture Control	OSD	On Screen Display
A/V	Audio-Video	PCB	Printed Circuit Board
AVC	Automatic Volume Control	PLL	Phase-Locked Loop
BAL	Balance	PWM	Pulse Width Modulation
BPF	Bandpass Filter	QIF	Quadrature Intermediate Frequency
B-Y	Blue-Y	R	Right
CATV	Community Antenna Television (Cable TV)	RC	Resistor & Capacitor
CB	Citizens Band	RF	Radio Frequency
CCD	Charge Coupled Device	R-Y	Red-Y
CCTV	Closed Circuit Television	SAP	Second Audio Program
Ch	Channel	SAW	Surface Acoustic Wave(Filter)
CRT	Cathode Ray Tube	SIF	Sound Intermediate Frequency
CW	Continuous Wave	SMPS	Switching Mode Power Supply
DC	Direct Current	S/N	Signal/Noise
DVM	Digital Volt Meter	SW	Switch
EIA	Electronics Industries Association	TP	Test Point
ESD	Electrostatic Discharge	TTL	Transistor Transistor Logic
ESD	Electrostatically Sensitive Device	TV	Television
FBP	Feedback Pulse	UHF	Ultra High Frequency
FBT	Flyback Transformer	UL	Underwriters Laboratories
FF	Flip-Flop	UV	Ultraviolet
FM	Frequency Modulation	VCD	Variable-Capacitance Diode
FS	Fail Safe	VCO	Voltage Controlled Oscillator
GND	Ground	VCXO	Voltage Controlled Crystal Oscillator
G-Y	Green-Y	VHF	Very High Frequency
H	High	VIF	Video Intermediate Frequency
HF	High-Frequency	VR	Variable Resistor
HI-FI	High Fidelity	VTR	Video Tape Recorder
IC	Inductance-Capacitance	VTVM	Vacuum Tube Voltmeter
IC	Integrated Circuit	TR	Transistor
IF	Intermediate Frequency		

2-2 IC Line Up

2-2-1 Progressive

Table 2 - 3 IC Line - Up			
No.	Block Name	IC Location	IC Name
1	MAIN	IC507	EL4583CN (OPTION)
		IC665	TDA7265
		IC904	KS24C04
		ICP02	MC14528BCP (OPTION)
		ICS801	TNY253P
		ICS802	PC123
2	TERMINAL BOARD	IC601	TDA7429S
		IC602	KA4558
		IC905	PCF8574P
		ICV01	TA8851BN
		ICV02,ICV03	HCF4053BE
3	PIP	ICP01	SDA 9488X
		ICP02	4931
4	MTS MODULE	IC101	TDA9850
5	IF MODULE	IC101	LA7565B
6	HV MODULE	IC471	TL494CN
		IC491	74HC123P
7	CONVERGENCE	ICZ104,ICZ103	STK392-040
8	SUB	IC301	LA7845
		IC801	STR-F6656
		IC802	SVD001
		IC804	SE110N
		IC806	PS2561
9	CRT	IC501,IC531,IC561	TDA6111Q
10	3D-COMB	IC01	UPD 64082GF
		IC02	UPC1862GS
		IC03	5412222

Table 2 - 3 IC Line - Up (Continued)

No.	Block Name	IC Location	IC Name
11	FORMAT-CONVERTER	IC01	FS310KBC
		IC02	72V161621
		IC03	Z9021106PSC
		IC04	24C02
12	PROSCAN	IC201	CIP3250A
		IC202	VPC3215C
		IC203	7705
		IC204	SDS9280
		ICP301	SDA9400
		IC209	SDA9361
		IC212	74F125
		ICV02	CXA2011Q
		ICY03	CXA1839Q
		ICY17	74HCT221
13	3D-PHONIC	ICD101	TL062CDT
		ICD102	SAA7367
		ICD103	TMS57052
		ICD104	LC32464M
		ICD105	Z9021106PSC
		ICD106, ICD107	PCM1717E
		ICD108,ICD109,ICD110,ICD111	TL062CDT

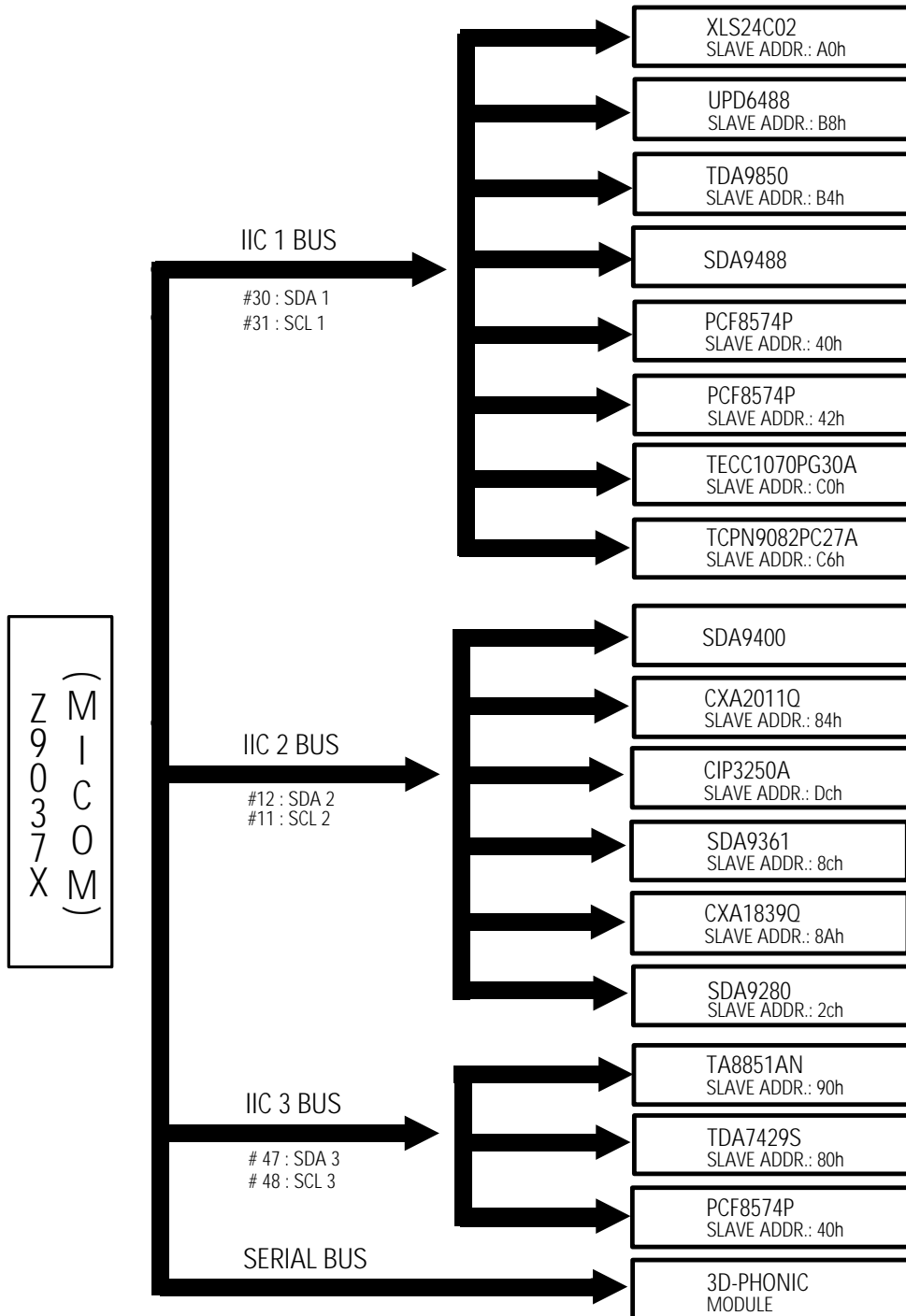
2-2-2 Interlace

Table 2 - 3 IC Line - Up			
No.	Block Name	IC Location	IC Name
1	MAIN	IC665	TDA7265
		IC904	KS24C04
		ICS801	TNY253P
		ICS802	PC123
2	TERMINAL BOARD	IC601	TDA7429S
		IC602	KA4558
		IC905	PCF8574P
		ICV01	TA8851BN
		ICV02,ICV03	HCF4053BE
3	PIP	ICP01	SDA9488X
		ICP02	4931
4	MTS MODULE	IC101	TDA9850
5	IF MODULE	IC101	LA7565B
6	HV MODULE	IC471	TL494CN
		IC491	74HC123P
7	CONVERGENCE	ICZ104,ICZ103	STK392-010
8	SUB	IC301	LA7845
		IC801	STR-F6656
		IC802	SVD001
		IC804	SE110N
		IC806	PS2561
9	CRT	IC501,IC531,IC561	TDA6111Q
		IC01	UPD64082 GF
10	2D-COMB	ICI02	CXA1686M
		ICC03	CXD2043Q

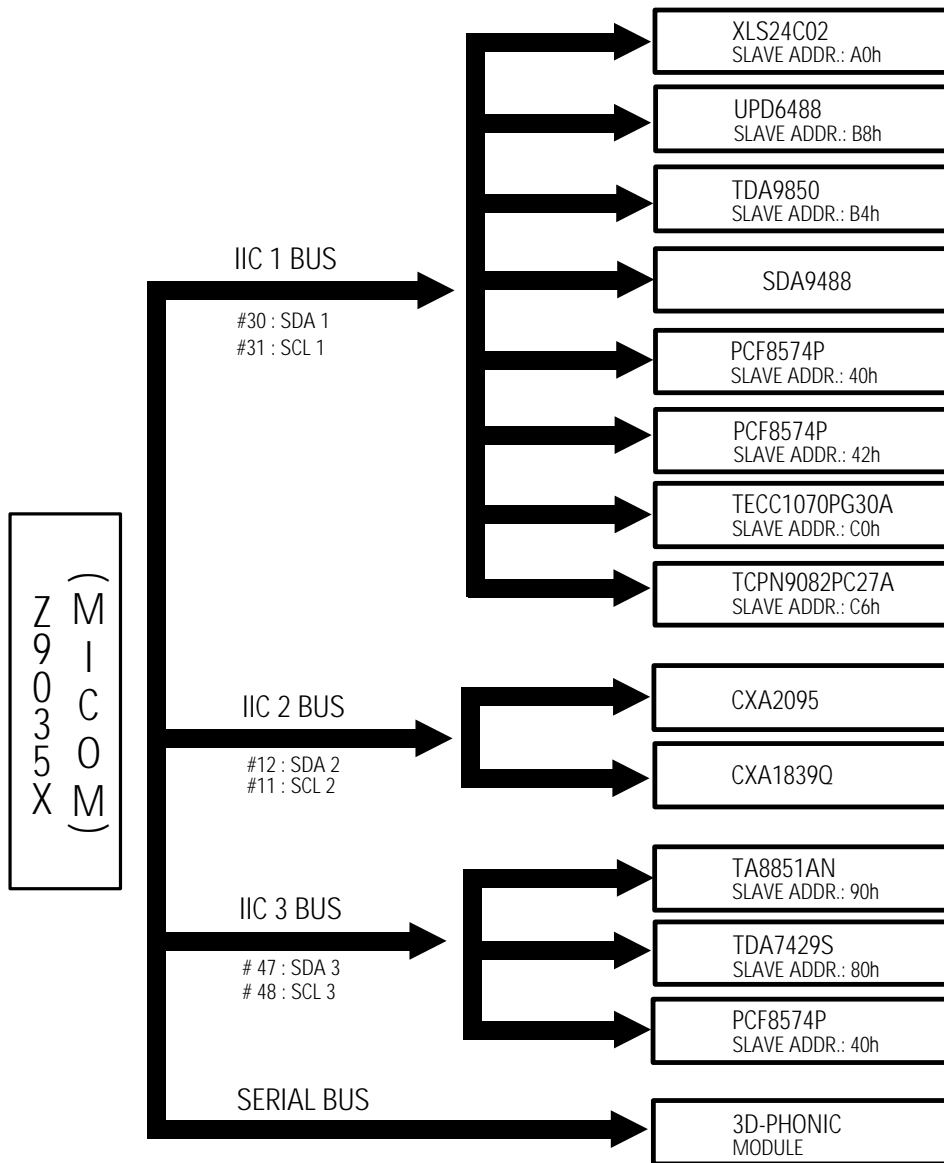
Table 2 - 3 IC Line - Up (Continued)			
No.	Block Name	IC Location	IC Name
11	CHROMA	IC201	CXA2095S
		IC203	2210
		IC204, IC206	BCF4053B
		IC205	CXA1839Q

2-3 MICOM IIC BUS LINE -UP

2-3-1 Progressive



2-3-2 Interlace



3. Specifications

Broadcasting System	NTSC
Scanning System	Progressive Scanning
Tuning Range	VHF : CH2 ~ CH13 UHF : CH14 ~ CH69 Cable : CH1, CH14 ~ 125
Antenna Impedance	75 ohm Unbalanced
Intermediate Frequency	Video : 45.75 MHz Sound : 42.25 MHz Chrominance Subcarrier : 42.17 MHz
Sound Output	STD : 15W FULL MAX : 20W
Rated Voltage	120V / 60 Hz
W/B Coordinates	Hx : 292 Hy : 260 Y : 14.5 Lx : 293 Ly : 263 Y : 0.23
High Voltage	31KV
FUSE	250V/6.3A CODE NO : 3601-000300
Power Consumption	285W

4. Alignment and Adjustments

4-1 When entering the service mode:

1. Turn on the TV, and then select "STANDARD" on the picture adjustment mode.
2. Turn off the TV (STAND-BY).
3. Enter the service mode by pressing the remote control keys in the following sequence :
MUTE 1→8→2→Power On

Note : If necessary, re-do steps 1~3.

Initial display when the service mode is switched.

1. When a RF signal is received

SERVICE NORMAL 480P
GEOMETRICS
PICTURE
PICTURE2
SOUND
PIP
OPTION
READ
RESET

2. When a DTV signal is received

SERVICE NORMAL 1080i
GEOMETRICS
PICTURE
PICTURE2
SOUND
PIP
OPTION
READ
RESET

3. When the PC mode is switched

MAIN MENU
ZOOM
COMPRESS
FREEZE
SET UP
RESET
EXIT

4. Service Mode Control Keys

MAIN MENU	MENU DISPLAY
CH UP/DOWN	Select item by moving cursor
VOL UP/DOWN	Decrease or increase the adjustment values

Note : The PC mode can be switched to the service mode by pressing the F.Mode Key (only on the factory remote control).

4-2 Factory Data

4-2-1 Progressive

GEOMETRIC

Item	TV/480P			Item	1080i		Remark
	43"	53"	61"		53"	61"	
VS	132	132	114	VS	128	91	
VA	122	122	88	VA	75		
VL	114	114	114	VL	114		
VSC	104	104	104	VSC	104		
VE	0	0	0	VE	0		
HA	80	80	80	HA	114		
PPH	100	100	100	PPH	100		
PA	96	96	96	PA	96	96	
UPC	128	128	128	UPC	128		
LOC	128	128	128	LOC	128		
HEH	0	0	0	HEH	0		
HS	63	63	60	HS	65	62	
VAN	131	131	131	VAN	131		
VBO	128	128	128	VBO	128		
HSP	141	141	141	HSP	139		
VS4	150	150	125	VS4	150	125	
VA4	96	96	53	VA4	96	53	
HS4	56	56	45	HS4	56	45	
HA4	106	106	54	HA4	106	54	
HP4	131	131		HP4	131		

 **PICTURE**

Item	Picture	Item	Picture	Remark
RDR	20	RYR	2	
GDR	20	RYB	13	
BDR	20	GYR	12	
RCT	31	GYB	9	
GCT	31	GAM	12	
BCT	31	HWD	2	
ABM	1	HTM	1	
ATH	1	HSE	0	

 **PICTURE 2**

Item	Picture	Item	Picture	Remark
SBR	31	POV	3	
SCT	7	LTI	2	
SCL	12	VML	2	
SHU	8	VMD	3	
CTI	1	DCT	3	
SSP	2	DPC	1	
SFO	2			

 **OPTION**

Model	Byte	Model	Byte	Remark
PCJ533RF	BYTE 0 : 71 BYTE 1 : 54	PCJ534R	BYTE 0 : 71 BYTE 1 : 40	
PCJ533R	BYTE 0 : 71 BYTE 1 : 50	HCJ552W	BYTE 0 : 79 BYTE 1 : 41	
PCJ534RF PCK520R PCJ614RF PCK5315R PCK6115R	BYTE 0 : 71 BYTE 1 : 44	HCJ652W	BYTE 0 : 39 BYTE 1 : 41	

4-2-2 Interlace

 **GEOMETRIC**

Item	Initial Value		Item	Initial Value	
	43"	Remark		43"	Remark
VS	32	Variable	HLC	8	
VA	32	Variable	VAS	40	
VCP	0		VSR	25	
VLN	5		VUV	0	
VSC	3		VLV	0	
HS	0		VJS	0	
HPC	17	Variable	VZS	0	
HA	20	Variable	VRP	3	
HPP	8		VBS	3	
HAA	11		HBS	0	
HAB	0		HLB	15	
HUC	8		HRB	15	

 **PICTURE**

Item	Initial Value			Item	Initial Value		
	43"	52"	Remark		43"	52"	Remark
DCT	1			BA	32	32	Variable
DPI	1			GC	8	8	Variable
AS	1			BC	8	8	Variable
DCL	1			GAM	2	2	Variable
ABL	1			AFC	2	2	
POV	2			TO	1	1	
SFO	1			SSP	5	5	
TA	1			AMS	1	1	
SCT	5			FHS	0	0	
SBT	8			CFS	0	0	
SCR	7			SC	30	30	
STT	9			LWC	32	32	
GA	32		Variable	COR	50	50	

PICTURE 2

Item	Initial Value			Item	Initial Value		
	43"	52"	REMARK		43"	52"	REMARK
PIC	55	55		RYP	15	15	
HUE	7	7		RYB	15	15	
BRT	8	8		SHP	0	0	

SOUND

Item	Initial Value		
	43"	52"	Remark
SEPERATE	15	16	

PIP

Item	Initial Value			Item	Initial Value		
	43"	52"	REMARK		43"	52"	REMARK
Contrast	5	5		POS-HOR-R	29	29	
HUE	3	3		POS-VER-U	21	21	
POS-HOR-L	32	32	Variable	POS-VER-D	21	21	

OPTION

Item	Initial Value	Remark
Byte0	91	Dissimilar initial values by model and function
Byte1	01	
Aging Off		

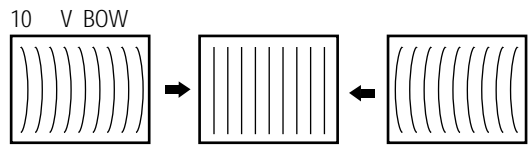
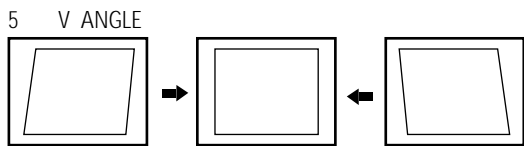
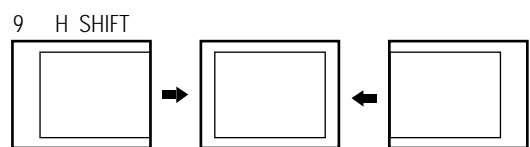
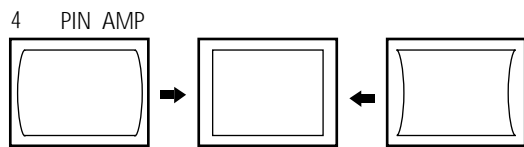
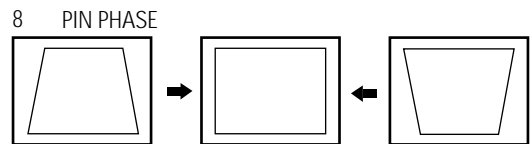
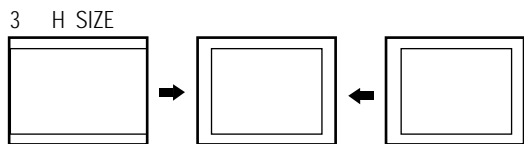
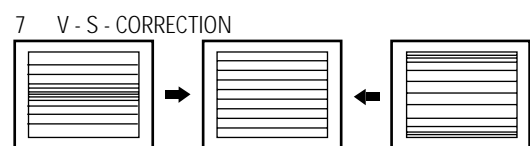
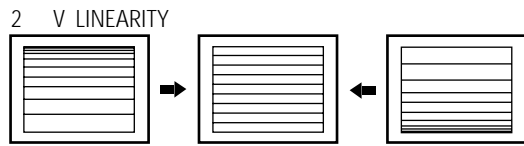
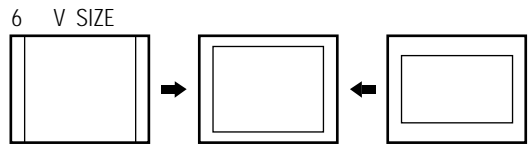
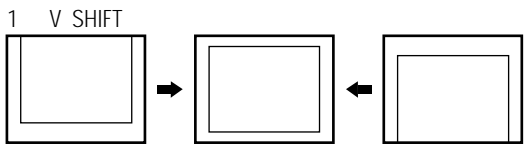
Note 1 SZM-386U OPTION TABLE

Option adjustment is done in the service mode

Byte : 00	Name	Function		Remark
		0	1	
D7	SharpCenter50En	X	Operate	
D6				
D5	CXA1839(DVD)	Sharpness, Color, Tint adjustment available in the DVD Menu	Sharpness, Color, Tint not adjustable in the DVD Menu	
D4	V-Chip	X	Operate	
D3				
D2				
D1	AFN	X	Operate	
D0	Auto Power On	X	Operate	Current Set Setting

Byte : 01	Name	Function		Remark
		0	1	
D7				
D6	3D Comb-filter	UPD6488	UPD64082	
D5				
D4				
D3				
D2				
D1				
D0	All Mighty Conv.	X	Operate	

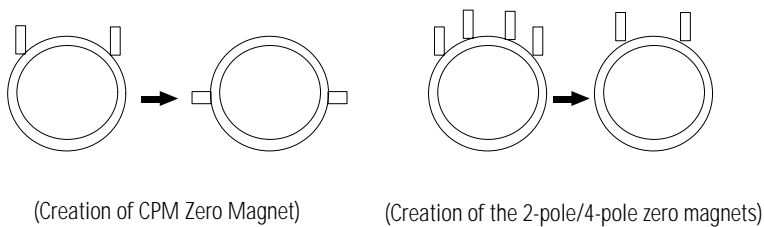
4-2 Screen Change (When adjusting I²C Bus Geometric items)



4-3 Beam Alignment

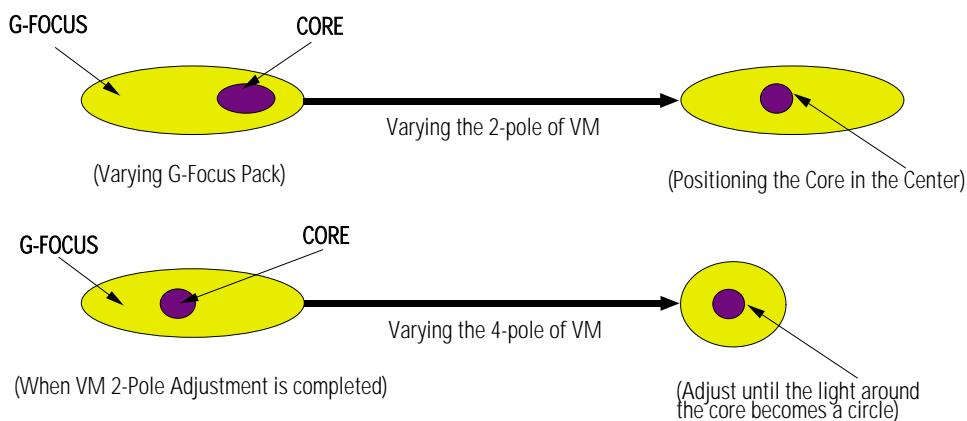
PRECAUTION

1. Input a crosshatch and dot pattern.
2. Select the "STANDARD" video mode.
3. Warm up the TV for at least 10 minutes.
4. Connect an audio oscillator to the pin jig between GT401~GT402 (located on the deflection PCB) and GND.
5. Determine the ZERO-magnet area (using the beam-alignment CY)
6. Check the squarewave at the point where the focus is misaligned (Use an audio oscillator).



ADJUSTMENT

1. Cover the Red and Blue lenses.
2. Adjust the Green lens as shown in the figures below
3. Adjust the G-Focus until any light around the core disappears.



4. Cover the Green and Blue lenses.
5. Adjust the Red lens using the same method as with the Green lens.
6. Note: The Blue lens is not adjusted because its focus varies little (VM-coil is installed).
7. After the adjustments are completed, disconnect the jig pin connector.

4-4 Other Adjustments

4-4-1 Screen Adjustment

1. Warm up the TV for at least 30 minutes.
2. Turn to the Video Mode (No Signal) using a remote-control.
3. Connect an oscilloscope to RK,GK,BK.
4. Adjust the VR (VR501, VR531, VR561) screen so that RK, GK, BK pulse is 20Vp-p each. (Turn the R,G,B VR screen fully counterclockwise in the area of each flyback line.)

4-4-2 White Balance Adjustment

1. Select the "STANDARD" video mode.
2. Input 100% white pattern.
3. In the stand-by mode, press the remote-control keys in the following sequence:
Mute → 1 → 8 → 2 → Power ON
4. Warm up the TV for at least 30 minutes.
5. Input a 10-step signal.
6. R-cut off, B-cut off, and G-cut off by pressing the Volume +/- keys.
7. Adjust the low light with viewing the dark side of the screen.
8. Select R-drive, G-drive, and B-drive by pressing the Volume +/- keys.
9. Adjust the high light with viewing the light side of the screen.
10. If necessary, redo adjustments 6~9.
11. Press the Menu key to exit.

4-4-3 Sub-Brightness Adjustment

1. Input a sub-brightness adjustment signal. (TOSHIBA PATTERN)
2. In the stand-by mode, press the remote-control keys in the following sequence :
Mute - 1 - 8 - 2 - Power ON
3. Select SBT by pressing the Volume +/- keys.
4. Adjust so that the 7th step on the right side of the screen is not seen (Use the Volume +/- keys).
5. Press the Menu key to exit.

4-4-4 High Voltage (31KV) Check

PRECAUTION

1. Input a lion head pattern.
2. Select "STANDARD" video mode.
3. Warm up the TV for at least 10 minutes.
4. Use a 1000:1 probe.

ADJUSTMENT

1. Connect the (+) terminal of the 1000:1 probe to the high voltage distributor and the (-) terminal to GND (located on the deflection board).
2. Adjust VR471 (located on the deflection board) so that the digital meter indicates DC 31V ± 0.1V.

4-4-5 F.S. (Fail Safe) Circuit Check

Note : The F.S. Circuit check must be performed after servicing.

1. Turn on the TV.
2. Select the "STANDARD" video mode.
3. Short GT18, GT17 (located on the Convergence PCB). Then, both sound and picture disappear. (Note: Even if the shorted terminals are removed, both sound and picture do not appear. This proves the F.S. circuit is working.)
4. To restore both sound and picture, turn off the TV and reset it after about 30 seconds.

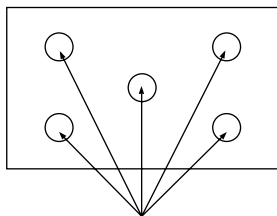
4-4-6 Static Focus Adjustment

PRECAUTION

1. Select the "STANDARD" video mode.
2. Input a crosshatch pattern.
3. Cover the lenses that are not being adjusted.
4. Connect a convergence jig and read data.
5. Adjust the lens for best focus. (See Fig, 4-1, next page)

STATIC FOCUS (CONTINUED)

Vary the focus pack VR (Red, Blue) on the front cabinet. Adjust the TV for best possible focus around the center of the crosshatch pattern, without losing overall screen balance. Figure Crosshatch Pattern Examine these points together.



Examine these points together

Fig. 4-1 Crosshatch Pattern.

4-4-7 Lens Focus Adjustment

PRECAUTIONS

1. Do this adjustment after the static focus adjustment and the tilt adjustment.
2. Select the "STANDARD" video mode. (Contrast:64, Brightness:32)
3. Input a crosshatch pattern.

ADJUSTMENT

1. Loosen the lens screws.
2. Cover the two lenses that are not being adjusted.
3. Adjust the lens, observing the color aberration vertically and horizontally within 3 blocks of the center of the crosshatch pattern.
4. When the lens is turned clockwise, the color aberration will change as follows:

Lens	Color Aberration Change
R	Orange - Crimson
G	Blue - Red
B	Purple - Green

5. Green lens adjustment: Set the lens at the point where Blue just changes to Red. If the color aberration is irregular throughout the picture screen, adjust the lens to show Red color aberration (approximately 1~3 mm area) within a 3-block grid around the horizontal center-line. If the color aberration is irregular, adjust the lens as shown in the diagram below. (Accurate alignment of Green is important for overall color quality.)
6. Red lens adjustment Set the Red lens at the point where Orange becomes Crimson.
7. Blue lens adjustment Set the Blue lens at the point where Purple becomes Green.

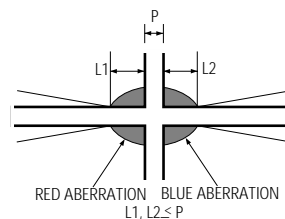


Fig. 4-2 Color Aberration

4-4-8 Horizontal Dynamic Focus Adjustment

PRECAUTION

1. Input a crosshatch pattern.
2. Select the "STANDARD" video mode.
3. Warm up the set for at least 10 minutes.

ADJUSTMENT

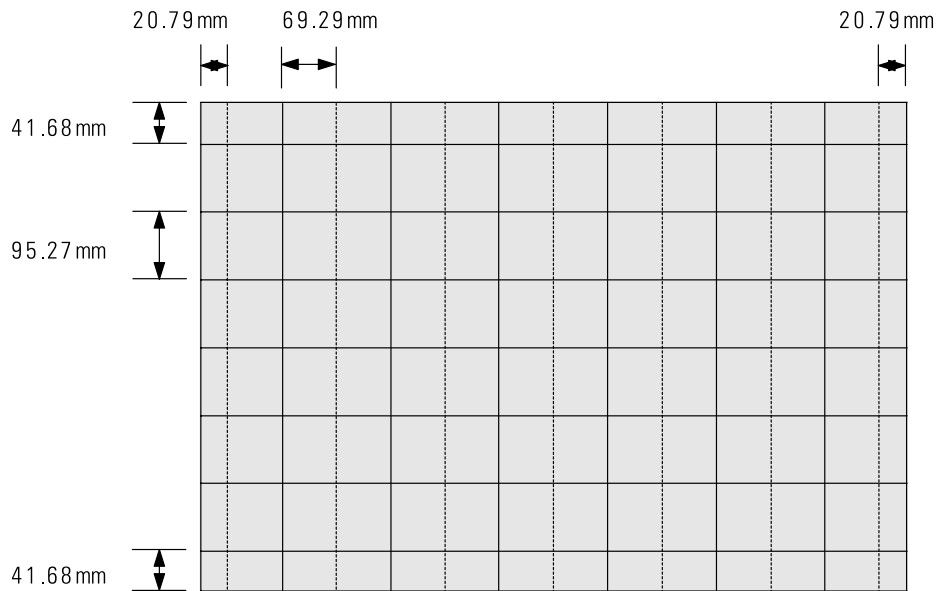
1. Cover the Red and Blue lenses.
2. Adjust VR491 (located on the convergence PCB, H-Parabola).
3. Balance the left and right sides of the dynamic focus lines.

4-5 Screen-Jig

4-5-1 43J5P

43J5P Screen Size : X 873, Y 655

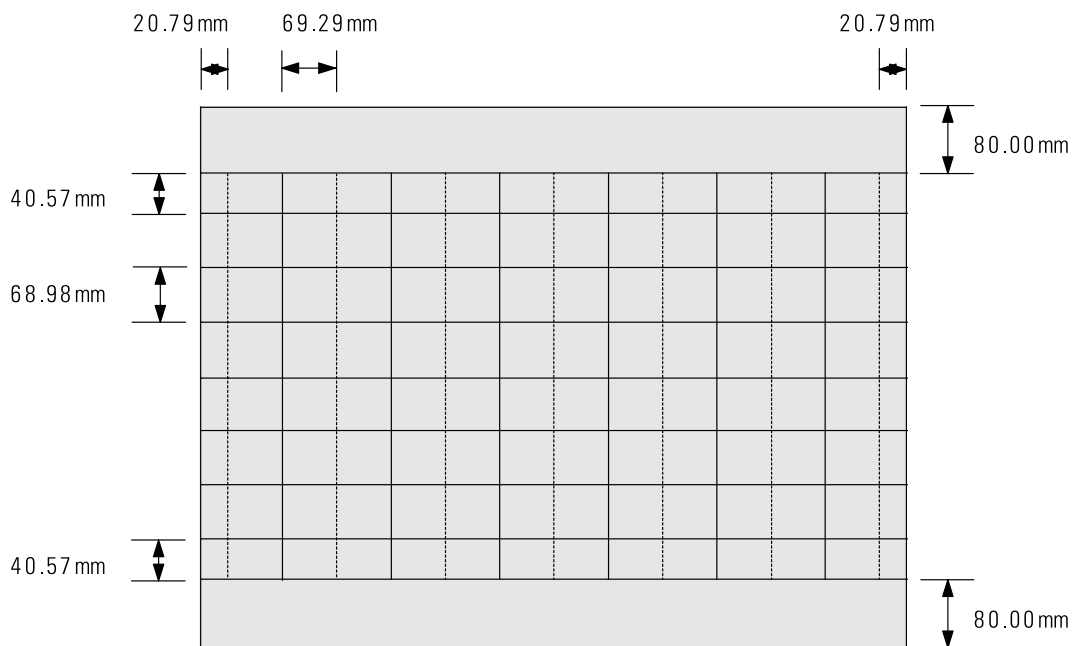
(X : $378=9*2 + 30*12$, Y: $440=28*2+64*6$)



4-5-2 43J5P DTV Mode

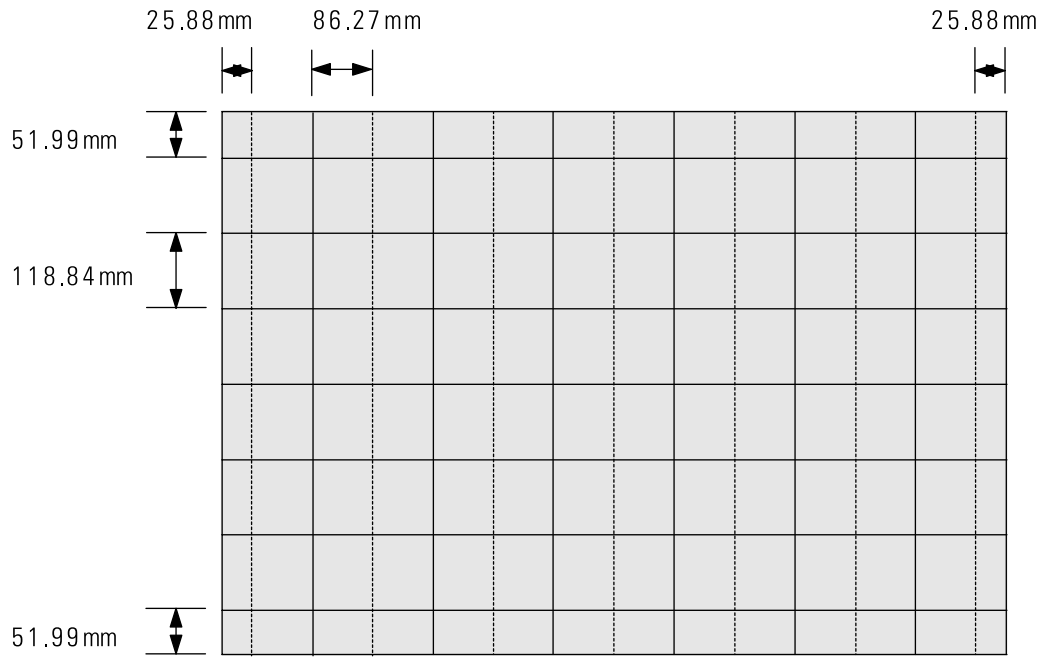
43J5P DTV Mode Screen Size : X 873, Y 495 + 80 + 80

(X: $378=9*2 + 30*12$, Y: $488=40*2+68*6$)



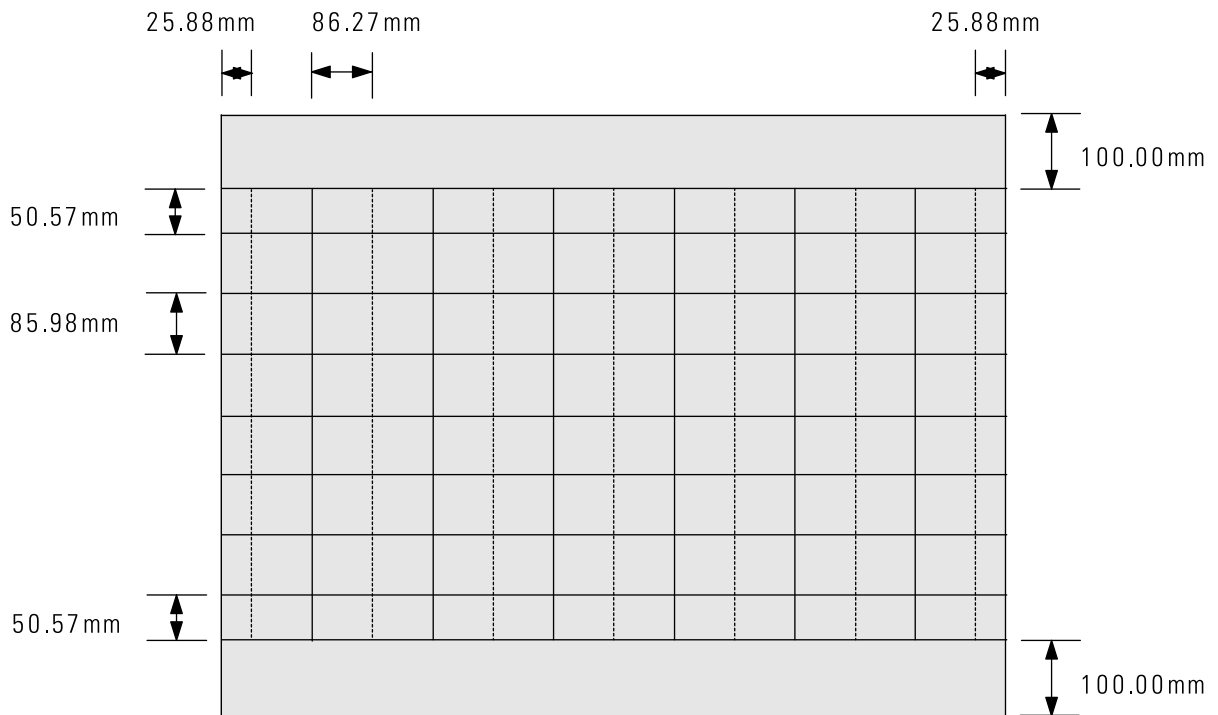
4-5-3 53J5P

53J5P Screen Size : X 1087, Y 817
(X: 378=9*2 + 30*12, Y:440=28*2 + 64*6)



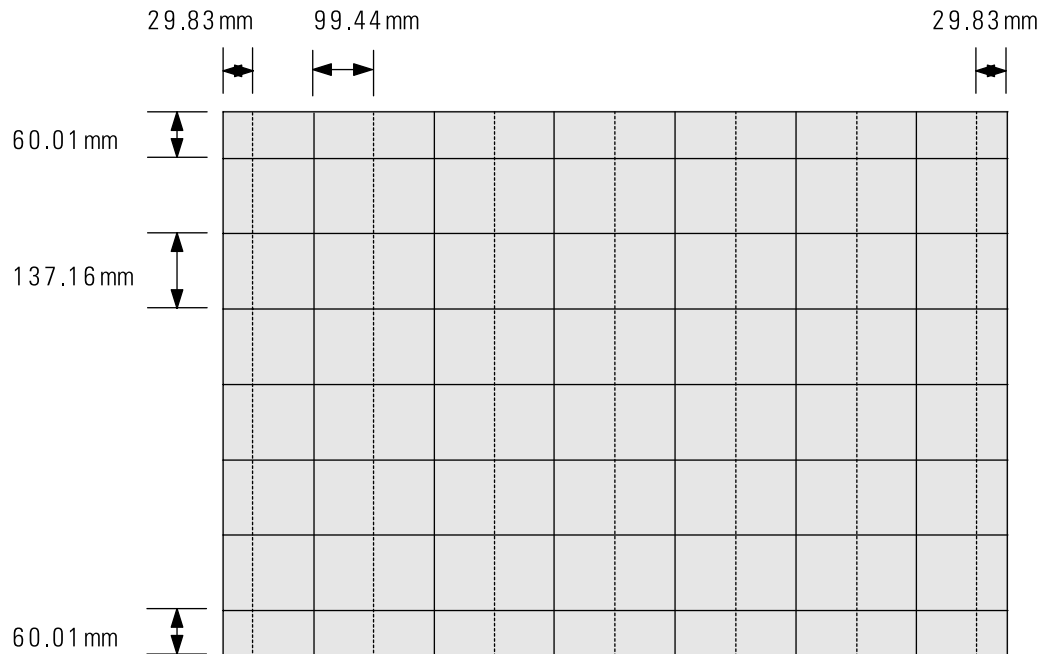
4-5-4 53J5P DTV Mode

53J5P DTV Mode Screen Size : X 1087, Y 617+100+100
(X:378=9*2+30*12, Y:488=40*2+68*6)



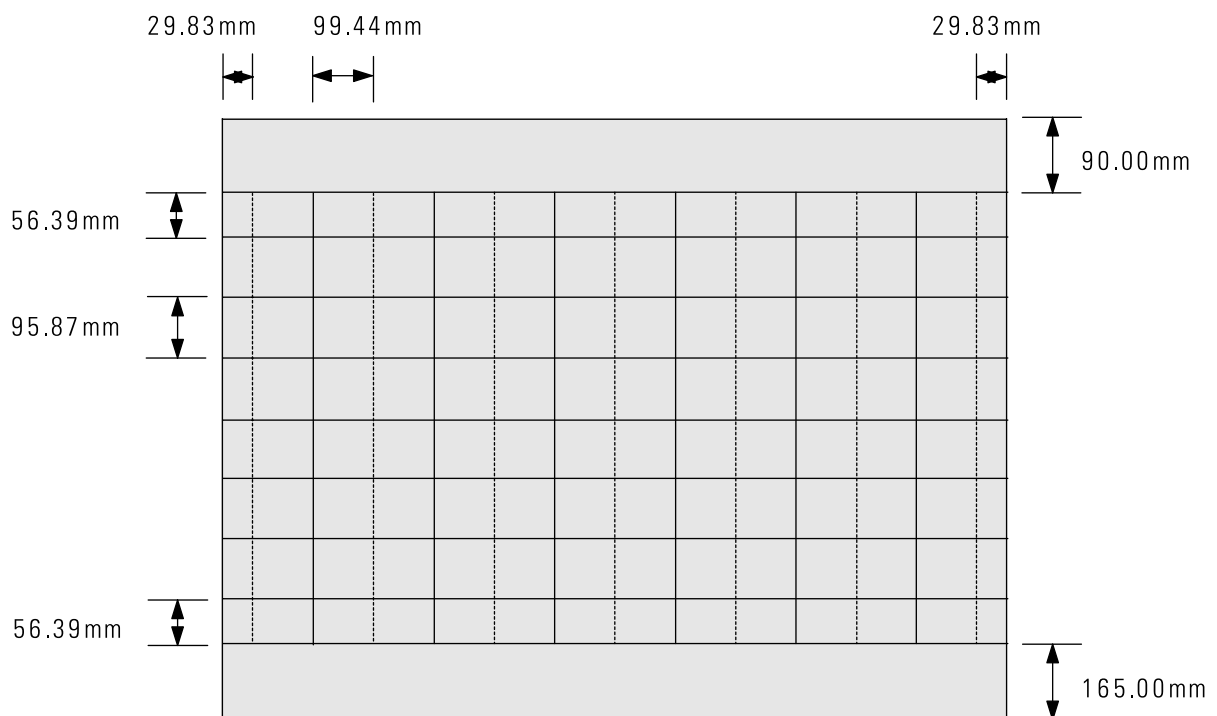
4-5-5 61J5P

61J5P Screen Size : X 1253, Y 943
(X: $378=9*2 + 30*12$, Y: $440=28*2 + 64*6$)



4-5-6 61J5P DTV

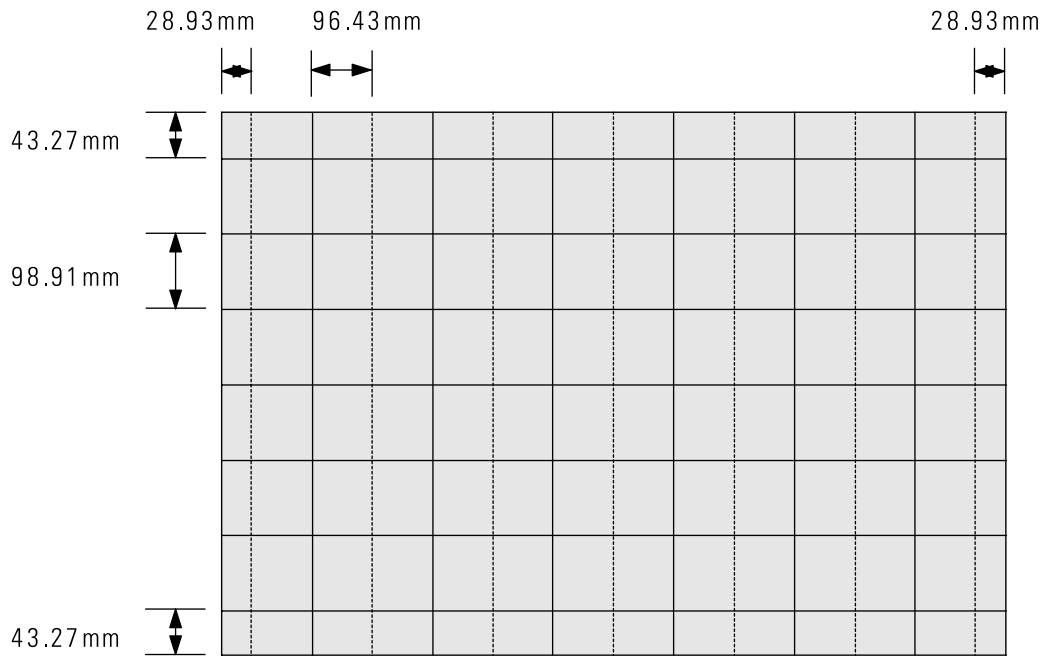
61J5P DTV Mode Screen Size : X 1253, Y 688 + 90 + 165
(X : $378 = 9*2 + 30*12$, Y: $488=40*2+68*6$)



4-5-7 552W

552W Screen Size : X 1215, Y 680

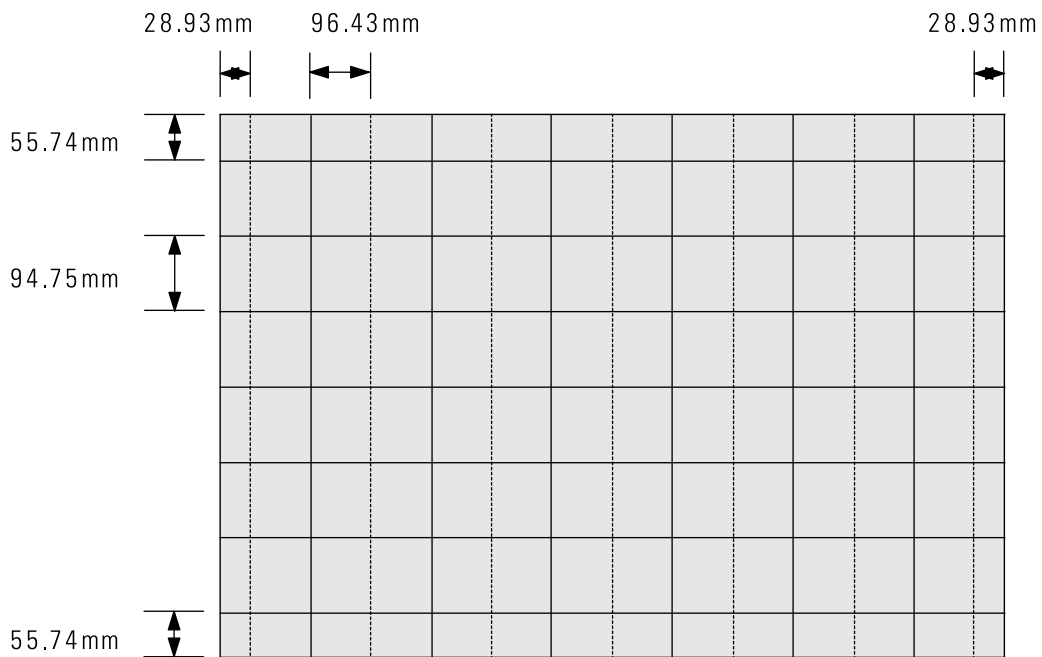
(X:378=9*2+30*12, Y:440=28*2+64*6)



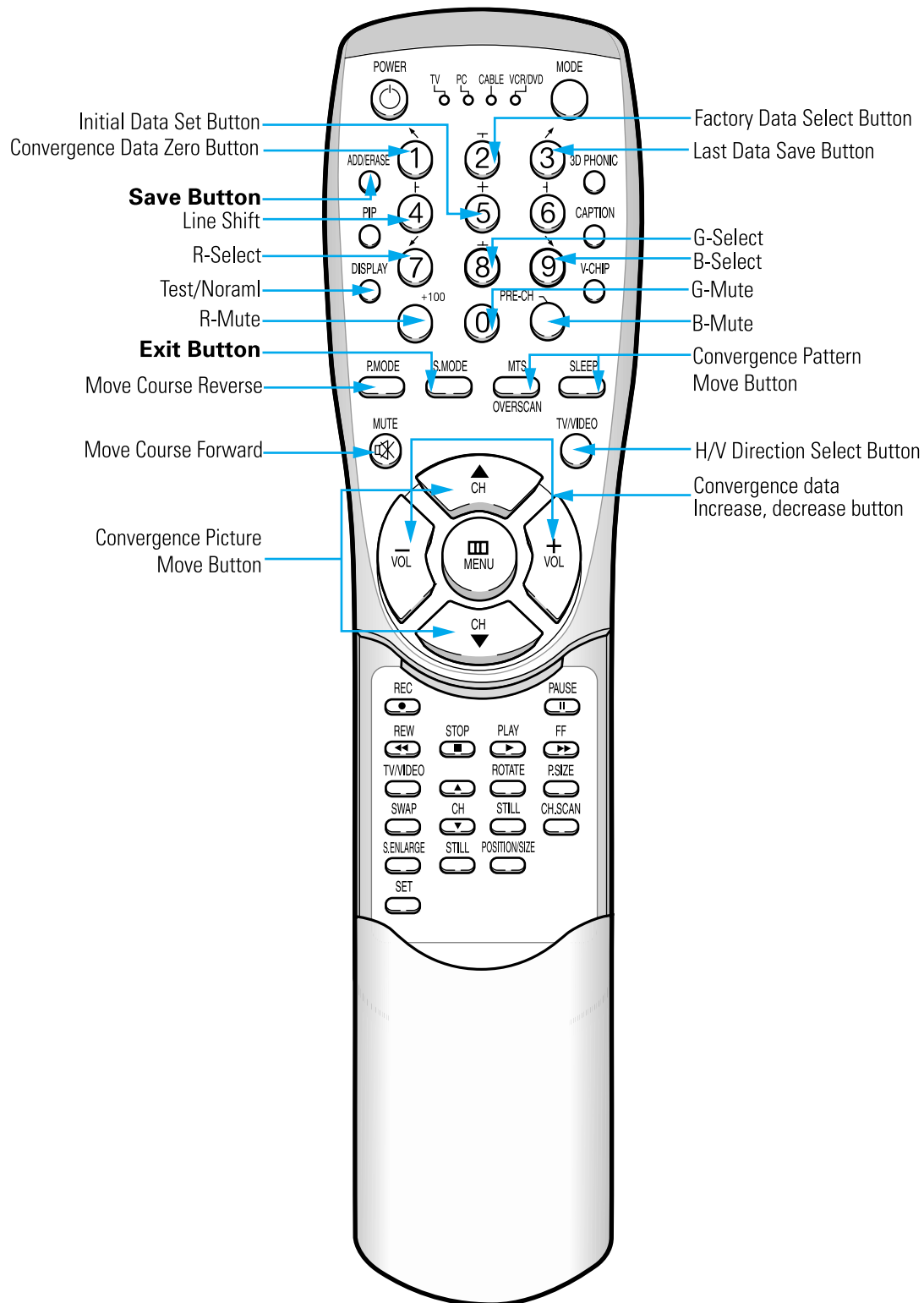
4-5-8 552W DTV Mode

552W DTV Mode Screen Size : X 1215, Y 680






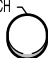







(X:378=9*2+30*12, Y:488=40*2+68*6)





4-6 Remote Control for Servicing (Convergence Mode)



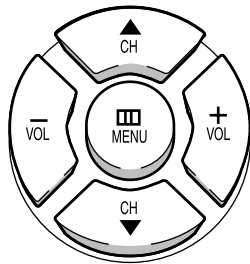
4-6-1 KEY Function



1. R-SELECT 
Press to select RED color.
2. G-SELECT 
Press to select GREEN color.
3. B-SELECT 
Press to select BLUE color.
4. R-MUTE 
Press to mute RED color.
5. G-MUTE 
Press to mute GREEN color.
6. B-MUTE 
Press to mute BLUE color.
7. CANCEL KEY 
Press to revert to the previous data during the Convergence Adjustment.
8. TEST/NORMAL 
Press to check TV mode in the Convergence Mode.
9. LINE SHIFT 
Press to move a line up/down or left/right.
10. FACTORY DATA SELECT BUTTON 
Press to call the factory default values.
11. H/V DIRECTION SELECT BUTTON 
Press to switch the cursor direction horizontally or vertically.
12. SAVE BUTTON 
After the Convergence Adjustments are completed, press to save data.
13. EXIT BUTTON 
After the Convergence adjustments are completed, press to exit to TV mode.


14. MOVE CURSOR FORWARD 
 Press to move the cursor right or down.

15. MOVE CURSOR REVERSE 
 Press to move the cursor left or up.

16. CONVERGENCE PICTURE MOVE BUTTON



17. CONVERGENCE PATTERN MOVE BUTTON
 Press to move the convergence pattern left () or right ().

18. CONVERGENCE DATA ZERO BUTTON 
 Press to zero the convergence correction data.

19. INITIAL DATA SET BUTTON

Changes when applying Almighty-Cg Module (How to extract the basic Cg Data)

Inch (Type)	Model Name	Basic Data	Screen Display	Discription
	Representative Model	Number after entring the Cg-Mode		
43" (43J5)	SVP-43J5P	5-435 (Press in regular order)	● ● ● ● ●	White Oval on the background (white circle)
53" (53J5)	SVP-53J5P	5-535 (Press in regular order)	● ● ● ● ● ● ●	
61" (614)	PCJ614RF	5-615 (Press in regular order)	● ● ● ● ● ● ● ● ●	
55" (552W)	HCJ552W	5-552 (Press in regular order)	○ ○ ○ ○ ○	White Oval on the background (white border)
65" (652W)	HCJ652W			Used the existing module (SSVC-1000)

4-7 Convergence Adjustment


1. Warm up the TV for at least 30 minutes.
2. Input an NTSC Signal. (Use an antenna or AV source.)

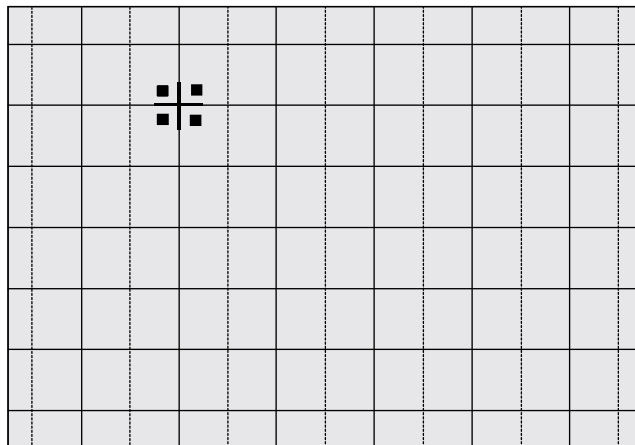





Make sure that both deflection and convergence yokes are properly adjusted so that the center of Green, Red, Blue pattern is aligned on the center of screen jig.

3. Enter the Convergence Mode by pressing the remote control keys in the following sequence :





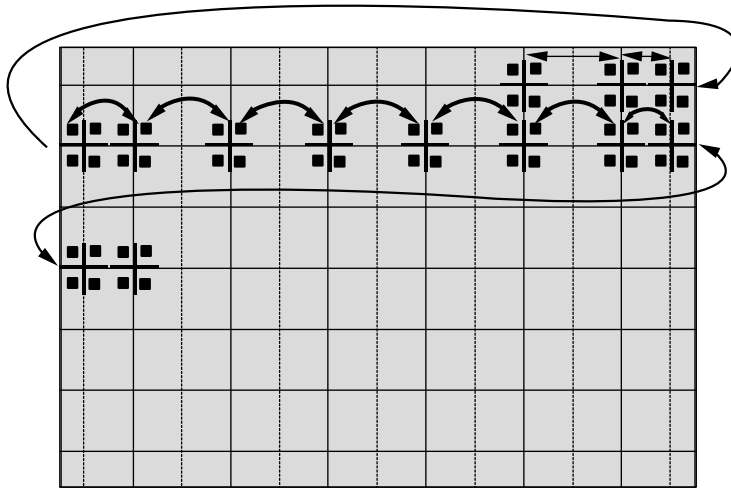
If OSD is displayed as shown in figure below, press the  key to exit. Then, redo step 3 to enter the Convergence Mode. After entering the Convergence Mode, Stand by for about five seconds before doing the adjustments.




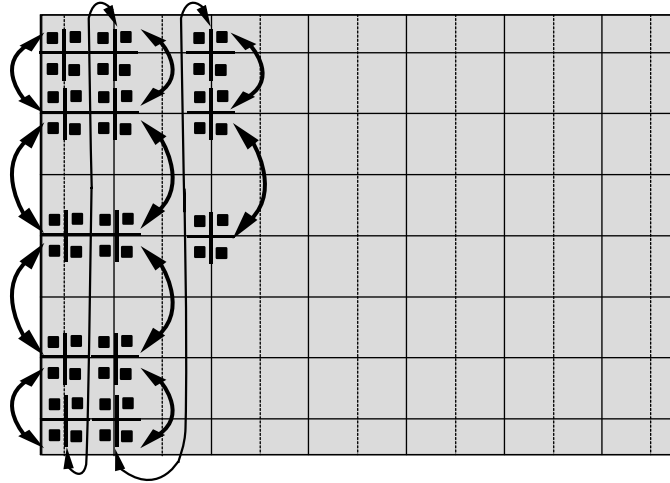
4. To adjust GREEN, first press the  and the  keys, and then press the  key.




5. The  key moves the cursor right, and the  key moves the cursor left.

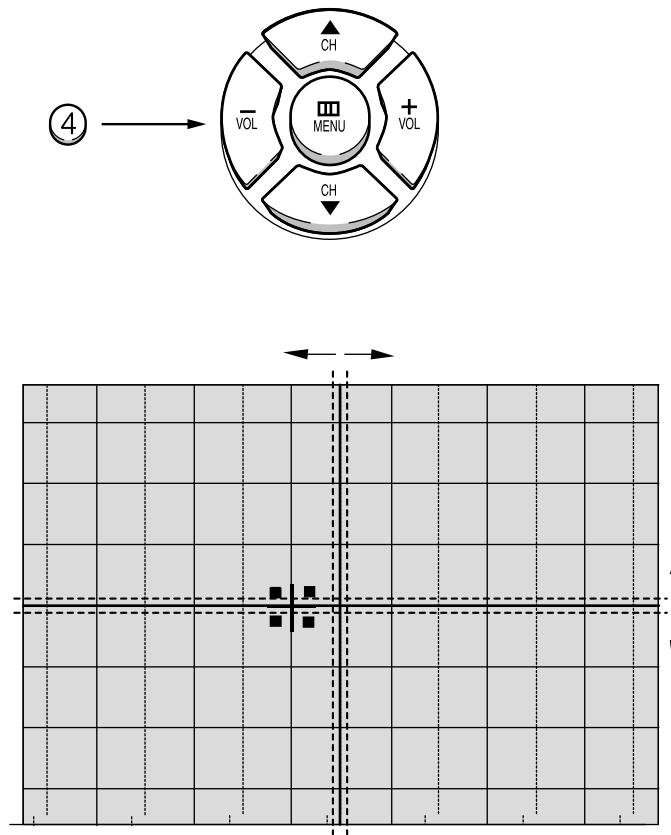




6. The ^{TV/VIDEO}  key moves the cursor horizontally or vertically.




When the ^{TV/VIDEO}  key is pressed once again, the cursor moves horizontally.

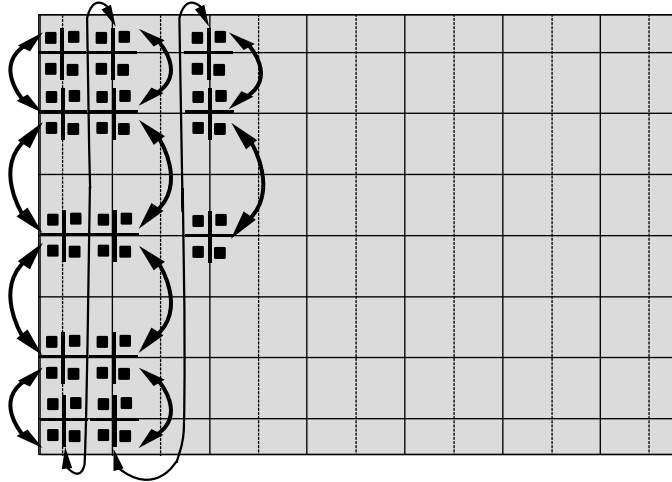
- Use the  key for overall balance.







- After the Line Shift is cancelled by pressing the  key, use the Channel and Volume keys (Up/Down) to make big adjustments.
- After the green convergence adjustments are completed, press the  key to save the data.

10. Superimpose the Red and Green colors by pressing the  and the  keys.

11. To adjust RED, redo steps 5~8.



When the cursor moves vertically 

12. To superimpose the blue and green colors, press (1) the  key for R-Mute, (2) the  key to cancel the B-Mute, and (3) the  key for B-select.

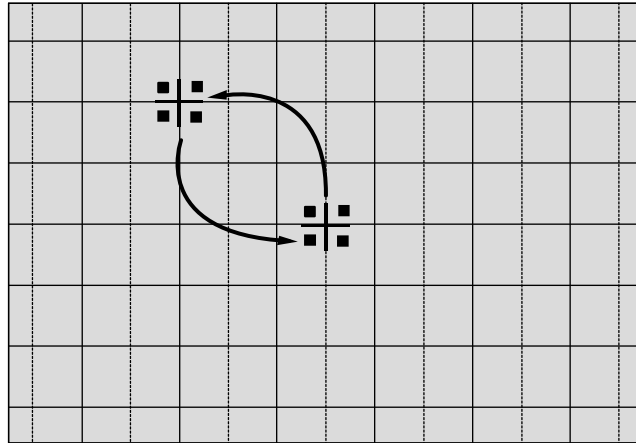
13. To adjust BLUE, redo steps 5 ~ 8, 12.

14. If any color is not properly adjusted when displaying the red, blue and green colors, readjust the color.

15. After the color adjustments are completed, press the $\overset{\text{ADD/ERASE}}{\text{O}}$ key to save the data.



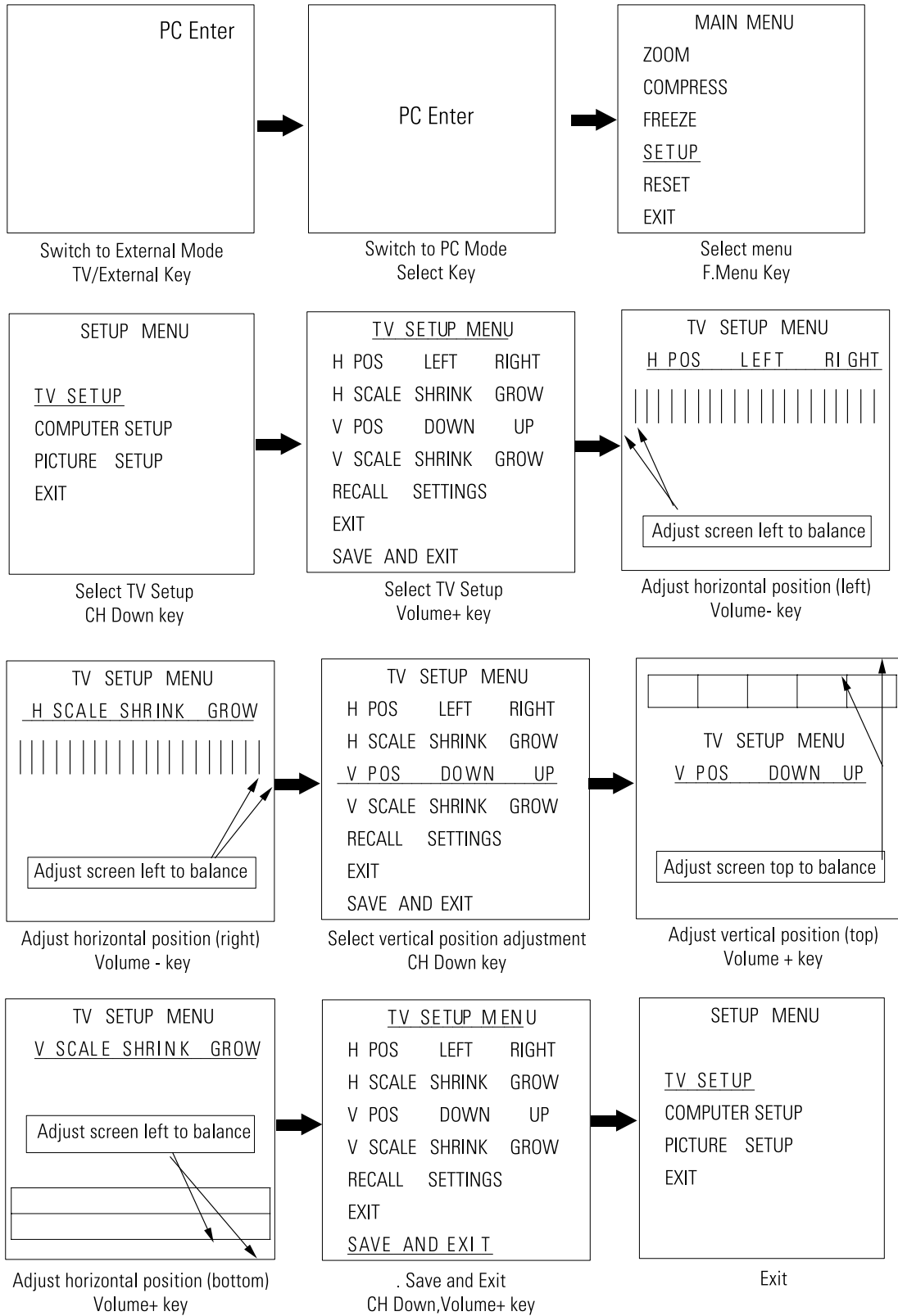
The cursor moves to center, and then automatically moves up and to the left about five seconds later.



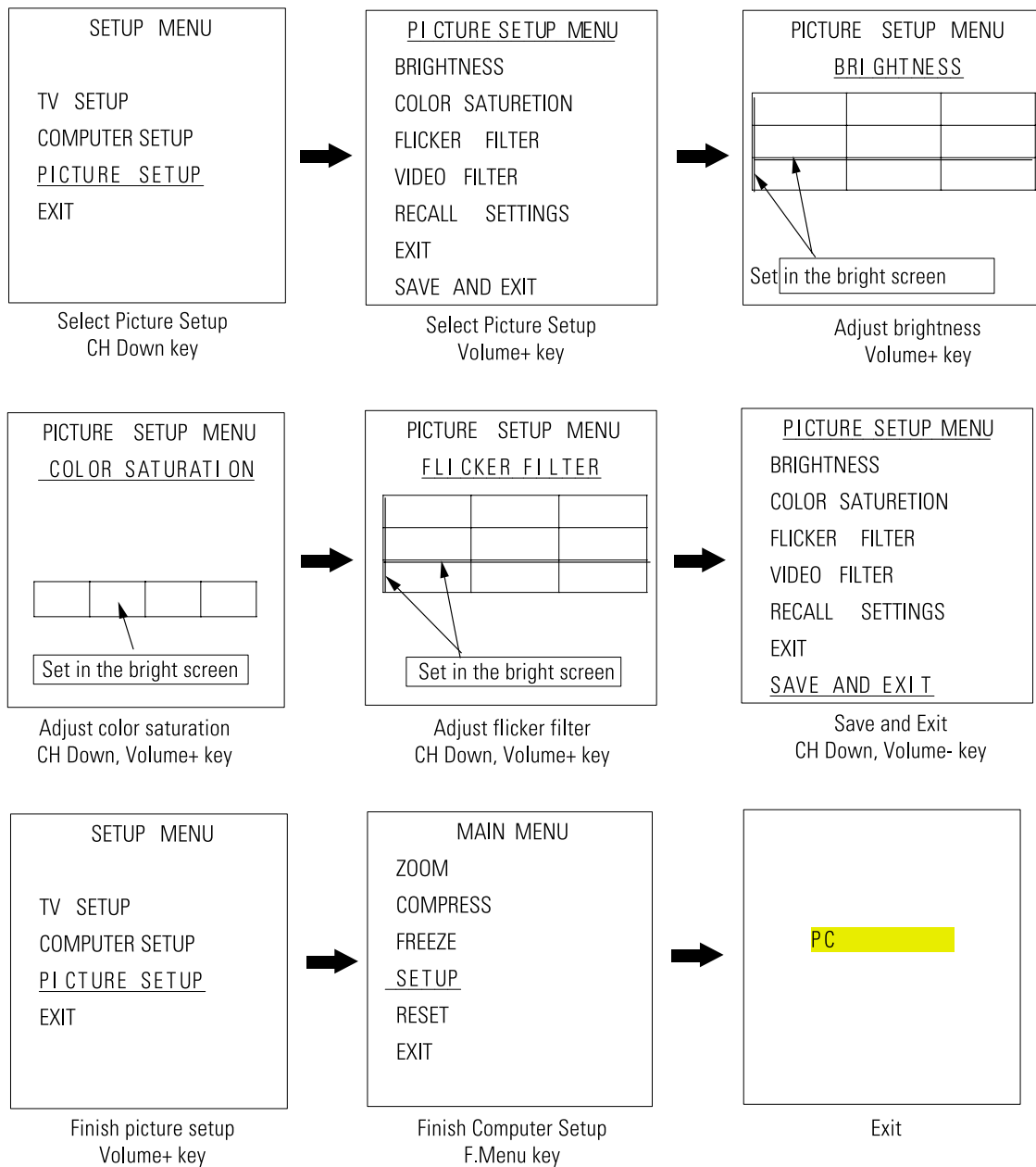
16. After the Convergence Adjustments are completed, press the $\overset{\text{S.MODE}}{\text{O}}$ key to exit.

4-8 PC Mode

4-8-1 TV Setup Mode

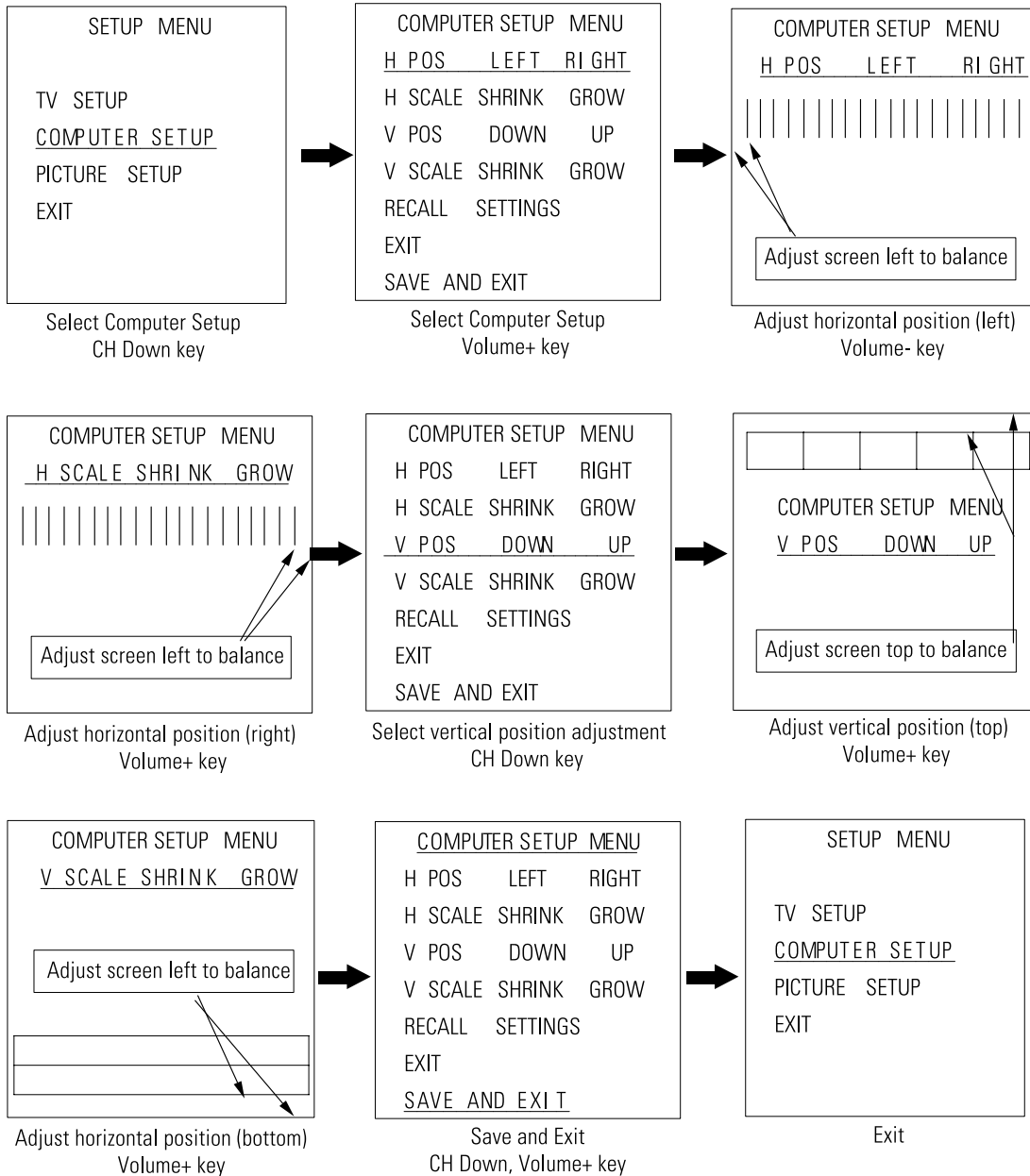


4-8-2 Picture Setup Mode



1. Adjust four different modes:VGA3 (VGA), VGA (DOS), VESA (SVGA), VEAS (XGA).
- 2). Perform the setup for each PC mode and picture setup.

4-8-3 Picture Setup Mode (computer setup mode only)



1. Adjust four different modes: VGA3 (VGA), VGA (DOS), VESA (SVGA), VEAS (XGA).
2. Perform the setup for each PC mode and picture setup.

4-9 MICOM and Pins Voltage

4-9-1 Pin Layout

4-9-1(A) PROGRESSIVE

POWER	1		52	D2
IR-IN	2		51	POWER2
V-MUTE	3		50	BUS-STOP
3D-SDA	4		49	HOLD
3D-SCL	5		48	SCL-3
3D-ENA	6		47	SDA-3
IDENT	7		46	TIMER-LED
MODE-SEL	8	Z	45	S/W-MUTE
PROTECT	9	9	44	D1
1H-SYNC	10	0	43	AMP-MUTE
SCL 2	11	3	42	3D-RESET
SDA 2	12	7	41	N.C
CVBS	13	1	40	XTAL GND
LOOP FILTER	14	1	39	VCC
ANALOG GND	15	2	38	GND
SUB-AFT	16	P	37	XTAL2
KEY1	17	S	36	XTAL1
MAIN-AFT	18	C	35	/RESET
KEY2	19		34	N.C
KEY3	20		33	N.C
ANALOG GND	21		32	D3
ANALOG VCC	22		31	SCL-1
HALF TONE	23		30	SDA-1
OSD B	24		29	VSYNC
OSD G	25		28	HSYNC
OSD R	26		27	BLANK

4-9-1(B) INTERLACE

POWER	1	Z 9 0 3 5 1 1 2 P S C	52	D2
IR-IN	2		51	CTRL 1
V-MUTE	3		50	BUS-STOP
3D-SDA	4		49	HOLD
N.C	5		48	SCL-3
N.C	6		47	SDA-3
CRTL 3	7		46	TIMER-LED
N.C	8		45	SAW-MUTE
PROTECT	9		44	D1
N.C	10		43	AMP-MUTE
SCL 2	11		42	CTRL 2
SDA 2	12		41	N.C
CVBS	13		40	XTAL GND
LOOP FILTER	14		39	VCC
ANALOG GND	15		38	GND
SUB-AFT	16		37	XTAL2
KEY1	17		36	XTAL1
MAIN-AFT	18		35	/RESET
KEY2	19		34	N.C
KEY3	20		33	N.C
ANALOG GND	21		32	D3
ANALOG VCC	22		31	SCL-1
HALF TONE	23		30	SDA-1
OSD B	24		29	VSYSN
OSD G	25		28	HSYSN
OSD R	26		27	BLANK

4-9-2 MICOM Pins

4-9-2(A) PROGRESSIVE

PIN NO.	ITEM	FUNCTION	OUT VOLT
1	POWER	POWER ON/OFF RELAY CONTROL	H-> L
2	IR IN	REMOCON INPUT	5V
3	V-MUTE	VIDEO SIGNAL MUTE	3V
4	3D-SDA	3D PHONIC DATA LINE	5V
5	3D-SCL	3D PHONIC CLOCK LINE	5V
6	3D-ENA	3D PHONIC ENABLE LINE	5V
7	IDENT	VALID DTV SIGNAL (LOW)	5V
8	MODE-SEL	MODE SELECTOR CONTROL	-
9	PROTECT	PROTECT PORT	-
10	1H-SYNC	NORMAL H,V-SYNC	3.5V
11	SCL 2	CLOCK BUS LINE	4.5V
12	SDA 2	DATA BUS LINE	4.5V
13	CVBS	CVBS	1.7V
14	LOOP FILTER	LOOP FILTER	1.9V
15	ANALOG GND	GND	GND
16	SUB-AFT	SUB AUTO FINE TUNING CONTROL	2.64V
17	KEY 1	KEY SCAN 1	4.84V
18	MAIN-AFT	MAIN TUNER AFT	1.9V
19	KEY 2	KEY SCAN 2	-
20	KEY 3	KEY SCAN 3	-
21	ANALOG GND	GND	-
22	ANALOG VCC	VCC	5V
23	HALF TONE	SIGNAL FOR OSC-FREQUENCY OSD CONTROL	-
24	OSD B	ON SCREEN DISPLAY BLUE OUTPUT	-
25	OSD G	ON SCREEN DISPLAY GREEN OUTPUT	-
26	OSD R	ON SCREEN DISPLAY RED OUTPUT	-

PIN NO.	ITEM	FUNCTION	OUT VOLT
27	BLANK	BLAKING SIGNAL OUTPUT	-
28	HSYNC	HORIZONTAL SYNC INPUT	-
29	VSYNC	VERTICAL SYNC INPUT	-
30	SDA-1	DATA BUS LINE	4.5V
31	SCL-1	CLOCK BUS LINE	4.12V
32	D3	CONVERGENCE D3	-
33	N.C	N.C	-
34	N.C	N.C	-
35	/RESET	RESET	4.74V
36	XTAL1	XTAL 1	1.72V
37	XTAL2	XTAL 2	2.2V
38	GND	GND	-
39	VCC	VCC	5V
40	XTAL GND	GND	-
41	N.C	N.C	-
42	3D-RESET	3D PHONIC RESET	5V
43	AMP-MUTE	MAIN AMP MUTE	-
44	D1	CONVERGENCE D1	-
45	S/W-MUTE	SWITCH MUTE (NOT USED)	-
46	TIMER-LED	TIMER LED	4.7V
47	SDA-3	DATA BUS LINE	4.6V
48	SCL-3	CLOCK BUS LINE	4.6V
49	HOLD	HOLD	4.65V
50	BUS-STOP	I ² C BUS STOP	5V
51	POWER2	PC POWER CONTROL	4.65V
52	D2	CONVERGENCE D2	-

4-9-2(B) INTERLACE

PIN NO.	ITEM	FUNCTION	OUT VOLT
1	POWER	POWER ON/OFF RELAY CONTROL	H-> L
2	IR IN	REMOCON INPUT	5V
3	V-MUTE	VIDEO SIGNAL MUTE	3V
4	N.C	N.C	-
5	N.C	N.C	-
6	CRTL 3	CONTROL-3PORT	5V
7	N.C	N.C	-
8	N.C	N.C	-
9	PROTECT	PROTECT PORT	-
10	N.C	N.C	-
11	SCL 2	CLOCK BUS LINE	4.5V
12	SDA 2	DATA BUS LINE	4.5V
13	CVBS	CVBS	1.7V
14	LOOP FILTER	LOOP FILTER	1.9V
15	ANALOG GND	GND	GND
16	SUB-AFT	SUB AUTO FINE TUNING CONTROL	2.64V
17	KEY 1	KEY SCAN 1	4.84V
18	MAIN-AFT	MAIN TUNER AFT	1.9V
19	KEY 2	KEY SCAN 2	-
20	KEY 3	KEY SCAN 3	-
21	ANALOG GND	GND	-
22	ANALOG VCC	VCC	5V
23	HALF TONE	SIGNAL FOR OSC-FREQUENCY OSD CONTROL	-
24	OSD B	ON SCREEN DISPLAY BLUE OUTPUT	-
25	OSD G	ON SCREEN DISPLAY GREEN OUTPUT	-
26	OSD R	ON SCREEN DISPLAY RED OUTPUT	-

PIN NO.	ITEM	FUNCTION	OUT VOLT
27	BLANK	BLAKING SIGNAL OUTPUT	-
28	HSYNC	HORIZONTAL SYNC INPUT	-
29	VSYNC	VERTICAL SYNC INPUT	-
30	SDA-1	DATA BUS LINE	4.5V
31	SCL-1	CLOCK BUS LINE	4.12V
32	D3	CONVERGENCE D3	-
33	N.C	N.C	-
34	N.C	N.C	-
35	/RESET	RESET	4.74V
36	XTAL1	XTAL 1	1.72V
37	XTAL2	XTAL 2	2.2V
38	GND	GND	-
39	VCC	VCC	5V
40	XTAL GND	GND	-
41	N.C	N.C	-
42	CRTL 2	CONTROL - 2 PORT	5V
43	AMP-MUTE	MAIN AMP MUTE	-
44	D1	CONVERGENCE D1	-
45	S/W-MUTE	SWITCH MUTE (NOT USED)	-
46	TIMER-LED	TIMER LED	4.7V
47	SDA-3	DATA BUS LINE	4.6V
48	SCL-3	CLOCK BUS LINE	4.6V
49	HOLD	HOLD	4.65V
50	BUS-STOP	I ² C BUS STOP	5V
51	CRTL 1	CONTROL - 1 PORT	4.65V
52	D2	CONVERGENCE D2	-

4-9-3 Proscan Module (Progressive)

PIN NO.	ITEM	FUNCTION	OUT VOLT
1	DVD-Y	DVD-Y INPUT	2.04V
2	GND	GND	GND
3	CVBS/Y	CVBS/Y INPUT	1.76V
4	CIN	C-INPUT	2.92V
5	GND	GND	GND
6	E-Pr/R	E-Pr/R INPUT	2.0V
7	E-Y/G	E-Y/G INPUT	2.0V
8	E-Pb/B	E-Pb/B INPUT	2.0V
9	E-FB	FAST BLANKING INPUT	0.25V
10	GND	GND	GND
11	HS1	1H-SYNC OUT	-
12	VS1	VS1 OUT	-
13	GND	GND	GND
14	SDA-2	SERIAL DATA LINE 2	4.7V
15	SCL-2	SERIAL CLOCK LINE 2	4.8V
16	5V	5V	5V
17	HD	H-DRIVE OUT	1.6V
18	H-BLK	H-BLANK INPUT	-
19	VD+	VERTICAL DRIVE (+VOLTAGE)	2.90V
20	VD-	VERTICAL DRIVE (-VOLTAGE)	2.95V
21	ABL	ABL INPUT	2.15V
22	V-BLK	V-BLANKING	-
23	EW	EAST WEST OUT	2.2V
24	N.C	N.C	-
25	GND	GND	GND
26	V-OUT	V-OUT	N.C
27	H-OUT	H-OUT	N.C
28	HC	5V INPUT	-
29	GND	GND	GND
30	TEST-Y	WHEN CG ADJ PATTERN INPUT	-

PIN NO.	ITEM	FUNCTION	OUT VOLT
31	PC-R	N.C	-
32	PC-G	N.C	-
33	PC-B	N.C	-
34	PC-H	N.C	-
35	PC-V	N.C	-
36	GND	GND	GND
37	OSD-R	OSD-R INPUT	-
38	OSD-G	OSD-G INPUT	-
39	OSD-B	OSD-B INPUT	-
40	YS	BLANK(MICOM OUT)	-
41	YM	HALF TONE INPUT	-
42	V-MUTE	VIDEO MUTE (V-CHIP ON)	4.72V
43	GND	GND	GND
44	9V	9V	9V
45	D-Pr	D-Pr INPUT	-
46	D-Y	D-Y INPUT	-
47	D-Pb	D-Pb INPUT	-
48	PIP-F/B	N.C	-
49	GND	GND GND	
50	R-OUT	R-OUT	-
51	G-OUT	G-OUT	-
52	B-OUT	B-OUT	-
53	GND	GND	GND
54	IK	IK OUT	3.65V
55	SPOT	SPOT OUT	-
56	GND	GND	GND
57	VM-Y	VM-Y OUT	5.42V
58	VM-MUTE	N.C	-

4-9-4 Chroma Module (Interlace)

PIN NO.	ITEM	FUNCTION	OUT VOLT
1	N.C	N.C	-
2	GND	GND	GND
3	CVBS/Y	CVBS/Y INPUT	1.76V
4	CIN	C-INPUT	2.92V
5	GND	GND	GND
6	E-Pr/R	E-Pr/R INPUT	2.0V
7	E-Y/G	E-Y/G INPUT	2.0V
8	E-Pb/B	E-Pb/B INPUT	2.0V
9	E-FB	FAST BLANKING INPUT	0.25V
10	GND	GND	GND
11	HS1	1H-SYNC OUT	-
12	VS1	VS1 OUT	-
13	GND	GND	GND
14	SDA-2	SERIAL DATA LINE 2	4.7V
15	SCL-2	SERIAL CLOCK LINE 2	4.8V
16	N.C	N.C	-
17	HD	H-DRIVE OUT	1.6V
18	H-BLK	H-BLANK INPUT	-
19	VD+	VERTICAL DRIVE (+VOLTAGE)	2.90V
20	VD-	VERTICAL DRIVE (-VOLTAGE)	2.95V
21	ABL	ABL INPUT	2.15V
22	V-BLK	V-BLANKING	-
23	EW	EAST WEST OUT	2.2V
24	N.C	N.C	-
25	GND	GND	GND
26	N.C	N.C	-
27	FSC	FSC	-
28	HC	5V INPUT	-
29	GND	GND	GND
30	TEST-Y	WHEN CG ADJ PATTERN INPUT	-

PIN NO.	ITEM	FUNCTION	OUT VOLT
31	N.C	N.C	-
32	N.C	N.C	-
33	N.C	N.C	-
34	CRTL - 3	CRTL - 3	5V
35	CRTL - 1	CRTL - 1	5V
36	GND	GND	GND
37	OSD-R	OSD-R INPUT	-
38	OSD-G	OSD-G INPUT	-
39	OSD-B	OSD-B INPUT	-
40	YS	BLANK(MICOM OUT)	-
41	YM	HALF TONE INPUT	-
42	V-MUTE	VIDEO MUTE (V-CHIP ON)	4.72V
43	GND	GND	GND
44	9V	9V	9V
45	N.C	N.C	-
46	N.C	N.C	-
47	N.C	N.C	-
48	PIP-F/B	N.C	-
49	GND	GND	
50	R-OUT	R-OUT	-
51	G-OUT	G-OUT	-
52	B-OUT	B-OUT	-
53	GND	GND	GND
54	IK	IK OUT	3.65V
55	SPOT	SPOT OUT	-
56	GND	GND	GND
57	VM-Y	VM-Y OUT	5.42V
58	CTRL - 2	CTRL - 2	5V

4-9-5 PIP Module

PIN NO.	ITEM	FUNCTION	OUT VOLT
1	GND	GND	GND
2	TV	SUB-V INPUT	2.93V
3	GND	GND	GND
4	N.C	N.C	-
5	8V	8V INPUT	8V
6	N.C	N.C	-
7	PIP-Pr/R	PIP-Pr/R (DVD SIG) OUT	2.02V
8	PIP-Y/G	PIP-Y/G (DVD SIG) OUT	2.04V
9	PIP-Pb/B	PIP-Pb/B (DVD SIG) OUT	2.02V
10	PIP-FB	PIP FAST BLANKING	2.02V
11	12V	12V INPUT	12V
12	PIP-F/B	N.C	N.C
13	PIP-B	DVD-B IN	-
14	PIP-G	DVD-G IN	-
15	PIP-R	DVD-R IN	-
16	N.C	N.C	-
17	V-SYNC	V-SYNC INPUT	-
18	H-SYNC	H-SYNC INPUT	-
19	SCL	SERIAL CLOCK LINE	4.11V
20	SDA	SERIAL DATA LINE	4.5V
21	5V	5V INPUT	5V
22	GND	GND	GND

4-9-6 3D/COMB Module

PIN NO.	ITEM	FUNCTION	OUT VOLT
1	VIDEO	MAIN VIDEO INPUT	2.74V
2	GND	GND	GND
3	9V	9V INPUT	9V
4	GND	GND	GND
5	SCL	SERIAL CLOCK LINE	4.1V
6	SDA	SERIAL DATA LINE	4.1V
7	V-3D	COPY GUARD REJECT SIGNAL	3.8V
8	5V	5V INPUT	5V
9	Y-OUT	MAIN Y OUT	-
10	GND	GND	GND
11	C-OUT	MAIN C OUT	-
12	GND	GND	GND

4-9-7 IF MODULE

PIN NO.	ITEM	FUNCTION	OUT VOLT
1	SIF	SIF OUT	3.25V
2	9V	9V INPUT	9V
3	GND	GND	GND
4	IF	IF INPUT	4.5V
5	GND	GND	GND
6	AGC	RF AGC IN	5.37V
7	TV-VIDEO	TV-VIDEO OUT	-
8	AFT	MAIN AFT INPUT	2V
9	GND	GND	GND

4-9-8 F/CONVERTER Module

PIN NO.	ITEM	FUNCTION	OUT VOLT
1	5V	5V INPUT	5V
2	GND	GND	GND
3	R-IN	PC R INPUT	-
4	G-IN	PC G INPUT	-
5	B-IN	PC B INPUT	-
6	GND	GND	GND
7	HS	PC H-SYNC INPUT	-
8	VS	PC V-SYNC INPUT	-
9	GND	GND	GND
10	SDA	SERIAL DATA LINE	-
11	SCL	SERIAL CLOCK LINE	-
12	GND	GND	GND
13	IR	INPUT REMOCON	2.5V
14	GND	GND	GND
15	R-OUT/Y3	PC Y3 OUT	-
16	N.C	N.C	-
17	B-OUT/C3	PC C3 OUT	-

4-9-9 3D-PHONIC Module

PIN NO.	ITEM	FUNCTION	OUT VOLT
1	L-OUT	SOUND L-OUT	4.5V
2	AGND	GND	GND
3	R-OUT	SOUND R-OUT	4.5V
4	A-GND	GND	GND
5	C-OUT	SOUND CENTER OUT	-
6	A-GND	GND	GND
7	S-OUT	SURROUND OUT	0.83V
8	A-GND	GND	GND
9	12V	12V INPUT	12V
10	ENABLE	3D-ENABLE	5V
11	RESET	3D-RESET	5V
12	SDA	SERIAL DATA LINE	4.96V
13	SCL	SERIAL CLOCK LINE	4.96V
14	5V	5V INPUT	5V
15	L-IN	3D L-INPUT	3.86V
16	GND	GND	GND
17	R-IN 3D	R-INPUT	3.22V

4-9-10 MTS Module

PIN NO.	ITEM	FUNCTION	OUT VOLT
1	TV-R	TV R-SOUND OUT	-
2	TV-L	TV L-SOUND OUT	-
3	SCL	SERIAL CLOCK LINE	-
4	SDA	SERIAL DATA LINE	-
5	N.C	N.C	-
6	GND	GND	GND
7	SIF	SIF INPUT	-
8	N.C	N.C	-
9	N.C	N.C	-
10	9V	9V INPUT	9V

4-9-11 H/V Module

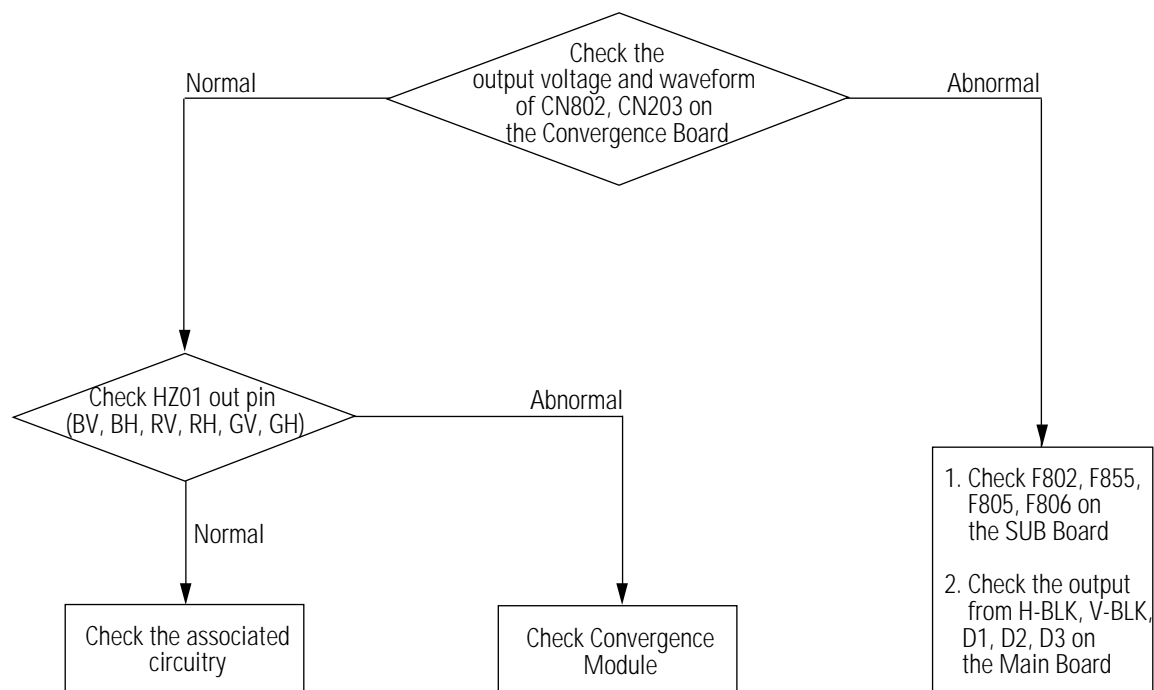
PIN NO.	ITEM	FUNCTION	OUT VOLT
1	12V	12V INPUT	12V
2	GND	GND	GND
3	HD	H-DRIVE INPUT	1.6V
4	V-BLK	V-BLANK INPUT	0.72V
5	2H-BLK	2H-BLANK OUT	0.54V
6	GND	GND	GND
7	PROTECT	PROTECT	ACTIV H
8	FBT-DC	FBT DC FEED BACK	4.87V
9	X-RAY	X-RAY PROTECT F/B	2.10V
10	N.C	N.C	-
11	HV-REG	HV-REG	3.54V
12	HV-DRIVE	HIGH VOLTAGE DRIVE	0.32V
13	H-DRIVE	H-DRIVE OUT	25V
14	GND	GND	GND
15	HEATER	HEATER INPUT	AC[0.7V]
16	N.C	N.C	-
17	208V	208V INPUT	208V
18	N.C	N.C	-
19	GND	GND	GND
20	V2	V2 INPUT	
21	N.C	N.C	-
22	N.C	N.C	-
23	D-FOCUS	DYNAMIC FOCUS OUT	-
24	N.C	N.C	-
25	N.C	N.C	-
26	SCREEN	SCREEN INPUT	1356V

4-9-12 CONV- Module

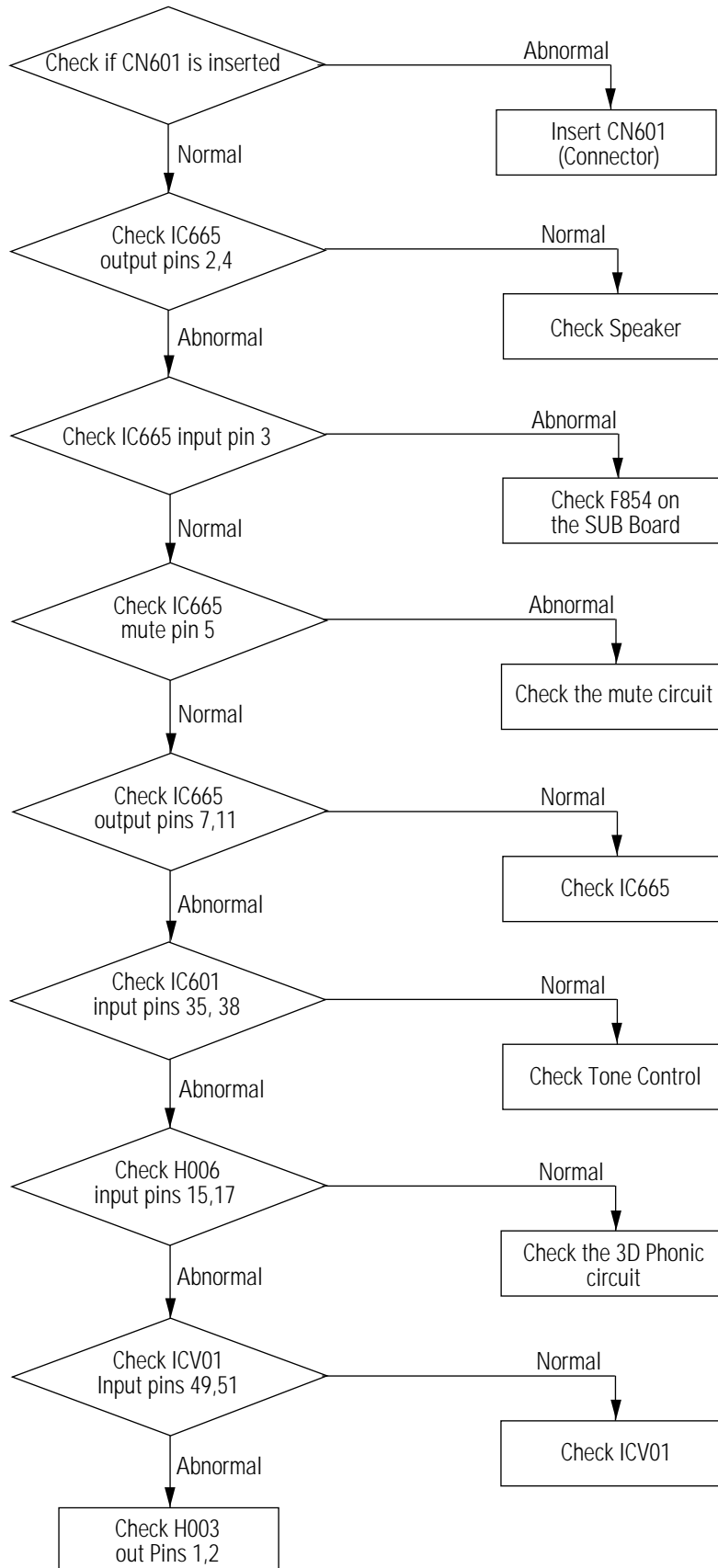
PIN NO.	ITEM	FUNCTION	OUT VOLT
1	SDA	D2	-
2	SCL	D1	-
3	GND	GND	GND
4	BV	BLUE VERTICAL OUT	-
5	BH	BLUE HORIZONTAL OUT	-
6	GV	GREEN VERTICAL OUT	-
7	GH	GREEN HORIZONTAL OUT	-
8	RV	RED VERTICAL OUT	-
9	RH	RED HORIZONTAL OUT	-
10	-5.4V	-5.4V INPUT	-5.4V
11	5.4V	5.4V INPUT	+5.4V
12	V-BLK	V-BLK INPUT	-
13	GND	GND	GND
14	H-BLK	H-BLK INPUT	0.52V
15	COMP	COMP VIDEO OUTPUT (N.C)	N.C
16	IR	INPUT REMOCON	3V
17	CTRL	CTRL (N.C)	N.C
18	D3/SEL	D3	0.2V
19	B	WHEN TEST PATTERN B OUT	-
20	G(TEST)	WHEN TEST PATTERN G OUT	-
21	R	WHEN TEST PATTERN R OUT	-
22	SYNC	SYNC OUTPUT	4.41V

5. Troubleshooting

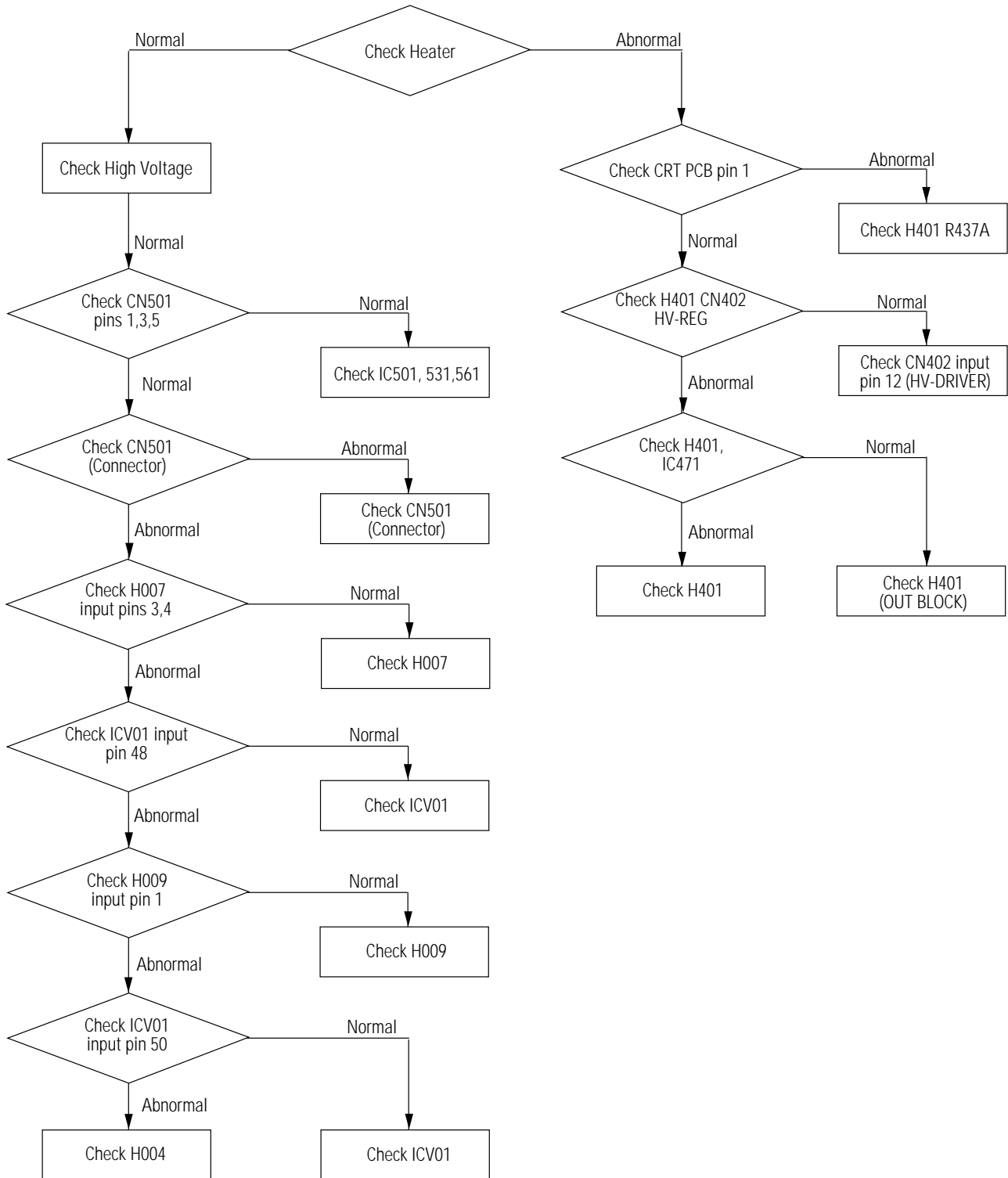
5-1 Convergence Misaligned



5-2 No Sound



5-3 No Raster (Sound OK)

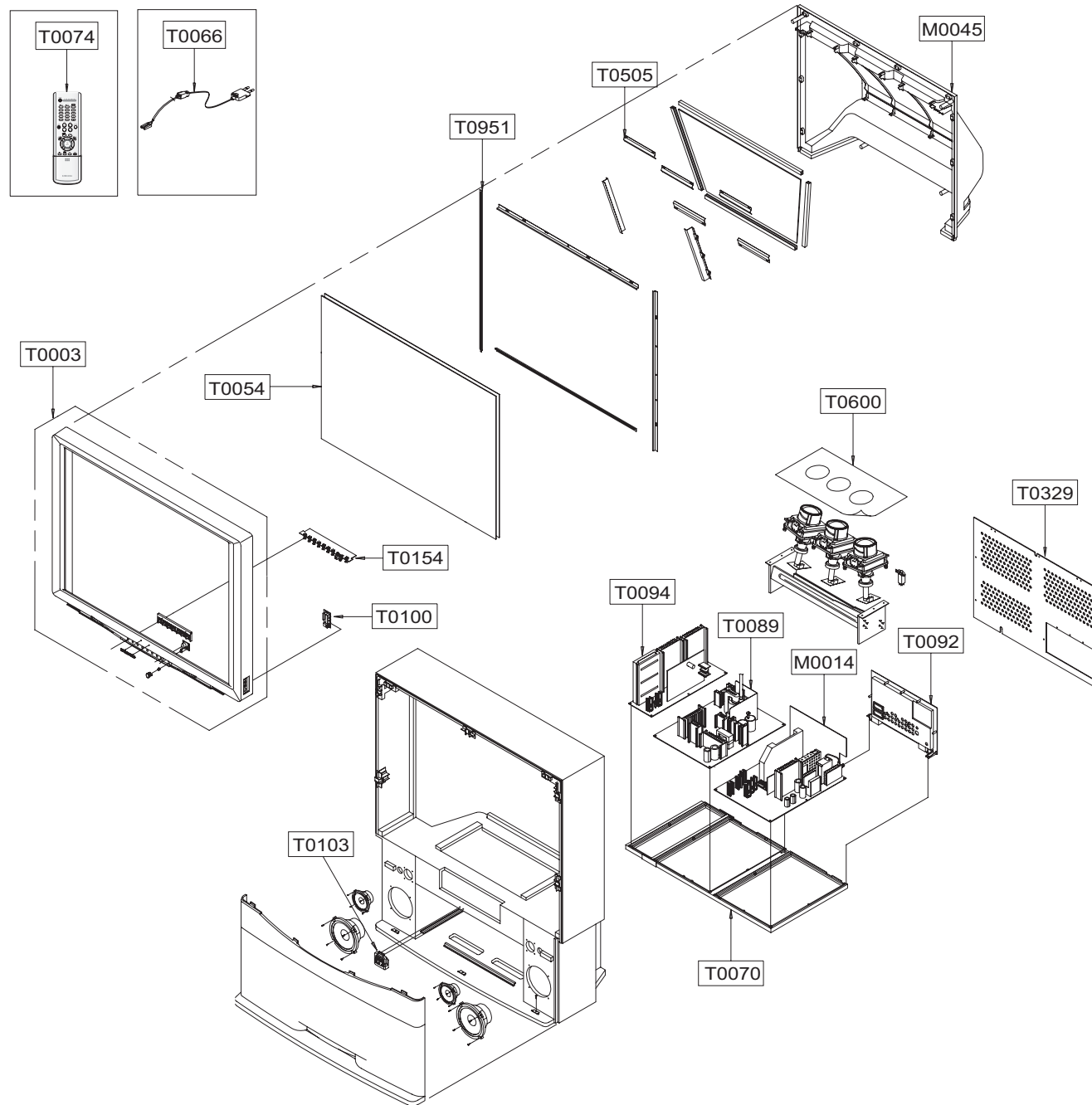


MEMO

6. Exploded View & Part List

6-1 PCK520R5C/XAA

You can search for the updated part code through ITSELF web site.
 URL: <http://itself.sec.samsung.co.kr>



Loc.No.	Code No.	Description;Specification	Q'ty	S.N.A
M0014	AA94-07623J	ASSY PCB MAIN;PCJ522R3C/XAA,P51A,U.S.A,S	1	S.N.A
M0045	AA64-31302G	CABINET-BACK, TOP;DP,524J521J,53J2,AA64-3	1	
T0003	AA91-00048F	ASSY CABINET FRONT;DP,524J,D703+B702 NO-	1	
T0054	AA67-00026A	SCREEN LENTI;52,PMMA,1087*815,3T	1	
T0066	AA96-20129G	ASSY POWER CORD;-EP2/YES,H/S50mm,KJ10W,	1	
T0070	AA61-00051B	HOLDER-CHASSIS;PCJ533R,ABS,-,-,-,GRAY,VO	1	S.N.A
T0074	AA59-00096A	REMOCON;AMERICA,TM57,EX,L/GRAY,45,KS88P0	1	
T0089	AA95-01846B	ASSY SUB-PCB,SUB;PCJ522R,P51A,AA95-00053	1	
T0092	AA91-00158H	ASSY TERMINAL BOARD;-HIPS,VO,BLK,NO-PC,	1	
T0094	AA95-01799D	ASSY SUB-PCB, CONV AMP;SVP-43J4,P51A,KORE	1	
T0100	AA95-01784Z	ASSY SUB-PCB,A/V FRONT;DP,PCJ522R/612R,P	1	
T0103	AA59-40003P	MODULE-FOCUS,PACK;-F300,NTSC,43,64x62,B	1	
T0154	AA95-01753M	ASSY SUB-PCB CONTROL;DP,PCJ612R,P51A,USA	1	S.N.A
T0329	AA64-00687B	CABINET-BACK,BOARD;524J,-,-,-,-,AA64	1	S.N.A
T0505	AA61-11035A	BRACKET-MIRROR;PCH521R,SECC,T1.0,-,-,NTR	5	
T0600	AA60-00036C	SPACER-COVER,DUST;PCJ522,SPONGE 94HF-1,B	1	S.N.A
T0951	AA61-00400A	BRACKET-SCREEN, SIDE;DP,524J,AA61-10367B	2	S.N.A

7. Electrical Part List

7-1 PCK520R5C/XAA

You can search for the updated part code through ITSELF web site.

URL:<http://itself.sec.samsung.co.kr>

Level	Loc.No.	Code No.	Description;Specification	Remark	Level	Loc.No.	Code No.	Description;Specification	Remark
ASSY CHASSIS									
0.1	M0017	AA91-03421A	ASSY CHASSIS;PCK520R5C/XAA	S.N.A6	C269	2201-000573	C-CERAMIC,DISC;0.047NF,5%,50V,COG,TP,5X3	
.2		AA91-02181S	ASSY MISC-CHASSISPACK;PCJ522R5C/XAA,P51A	S.N.A6	C213	2201-000982	C-CERAMIC,DISC;10nF,+80-20%,50V,Y5V,-.4	
...3	T0092	AA91-00158H	ASSY TERMINAL BOARD;-;HIPS,VO,BLK,NO-PC,	6	C211	2301-000204	C-FILM,LEAD-PEF;2.7nF,5%,50V,TP,7.4x3.9x	
....4	T0130	AA63-00045B	TERMINAL-BOARD ANT;PCJ533R,HIPS	S.N.A6	C207	2301-000235	C-FILM,LEAD-PEF;3.9nF,5%,50V,TP,6.5x3.0x	
....4	T0066	AA64-00182J	INLAY-BACK;PCJ612R,PS SHEET,T0.5,-,-,BLK	S.N.A6	C210	2301-000301	C-FILM,LEAD-PEF;6.8nF,5%,50V,TP,6.5x5.5X	
...3	M0014	AA94-07623J	ASSY PCB MAIN;PCJ522R3C/XAA,P51A,U.S.A,S	S.N.A6	C228	2301-000383	C-FILM,LEAD-PEF;10nF,5%,50V,TP,6x7x3.2mm	
....4		0403-000510	DIODE-ZENER;MTZJ6.2B,5.96-6.27V,500mW,DO	6	C229	2301-000383	C-FILM,LEAD-PEF;10nF,5%,50V,TP,6x7x3.2mm	
....4		2201-000119	C-CERAMIC,DISC;100NF,+80-20%,50V,Y5V,TP,	6	C230	2301-000383	C-FILM,LEAD-PEF;10nF,5%,50V,TP,6x7x3.2mm	
....4	C665	2401-000737	C-AL;2200uF,20%,50V,GP,BK,18x35.5,7.5	6	C261	2301-000383	C-FILM,LEAD-PEF;10nF,5%,50V,TP,6x7x3.2mm	
....4	C664	2401-001068	C-AL;3300uF,20%,50V,GP,BK,22x40,10	6	C262	2301-000383	C-FILM,LEAD-PEF;10nF,5%,50V,TP,6x7x3.2mm	
....4	X901	2801-003224	CRYSTAL-UNIT;0.032768MHz,20ppm,28-AAAY,12	6	C265	2301-000383	C-FILM,LEAD-PEF;10nF,5%,50V,TP,6x7x3.2mm	
....4	T0121	3301-001201	CORE-FERRITE;AE,21x11x32mm,1500,280G	6	C262	2301-000383	C-FILM,LEAD-PEF;10nF,5%,50V,TP,6x7x3.2mm	
....4	T0121	3301-001201	CORE-FERRITE;AE,21x11x32mm,1500,280G	6	C266	2301-000383	C-FILM,LEAD-PEF;10nF,5%,50V,TP,6x7x3.2mm	
....4	RL801	3501-001053	RELAY-POWER;5Vdc,530mW,10000mA,1FormA,15	6	C274	2301-000383	C-FILM,LEAD-PEF;10nF,5%,50V,TP,6x7x3.2mm	
....4	CN902	3710-001208	CONNECTOR-BACK PANEL;32P,2R,FEMALE,STRAI	6	C276	2301-000383	C-FILM,LEAD-PEF;10nF,5%,50V,TP,6x7x3.2mm	
....4	CN902	3710-001208	CONNECTOR-BACK PANEL;32P,2R,FEMALE,STRAI	6	C277	2301-000383	C-FILM,LEAD-PEF;10nF,5%,50V,TP,6x7x3.2mm	
....4	TS801	AA26-00019A	TRANS SWITCHING;-;AC80-260V,-,US,-,4MH,B	6	C278	2301-000383	C-FILM,LEAD-PEF;10nF,5%,50V,TP,6x7x3.2mm	
....4	T0010	AA27-10001C	COIL CHOKE;-;100uH,K,-,5.0A,ST,700UH-K(R)	6	C279	2301-000383	C-FILM,LEAD-PEF;10nF,5%,50V,TP,6x7x3.2mm	
....4	L601	AA29-00004A	FILTER LINE NOISE;-;20UH,3A,AC80-260V,TQ	6	C205	2301-000445	C-FILM,LEAD-PEF;4.7nF,5%,50V,TP,5.5x7x3m	
....4	T0245	AA39-00025A	LEAD CONNECTOR-ASSY;-;2(1)P,600MM,YFH800-	6	C236	2305-000289	C-FILM,LEAD-PEF;220nF,5%,63V,TP,-,5mm	
....4	T0245	AA39-20010B	LEAD CONNECTOR-ASSY;-;1P,500,YFH800-01,S,	6	C231	2305-000411	C-FILM,LEAD-PEF;470nF,5%,50V,TP,7.3x4.8x	
....4	T0568	AA39-30007A	CBF IF;-;T,100mm,1365#26	6	C232	2305-000411	C-FILM,LEAD-PEF;470nF,5%,50V,TP,7.3x4.8x	
....4	CIS3	AA40-00056A	TUNER-F/S;TCPN9082PC27P(S),NTSC,TR,181CH	6	C233	2305-000411	C-FILM,LEAD-PEF;470nF,5%,50V,TP,7.3x4.8x	
....4	H001	AA40-10005R	TUNER-F/S,LNA;TECC1070PG30A(S),NTSC/USA,	6	C202	2305-000665	C-FILM,LEAD-PEF;100nF,5%,63V,TP,7.5x4.0x	
....4	T0336	AA59-40003Q	MODULE-MTS;-;MZ-201,ZENITH,US,43X54,-	6	C217	2305-000665	C-FILM,LEAD-PEF;100nF,5%,63V,TP,7.5x4.0x	
.....5	IC101	1204-001204	IC-DECODER;TDA9850,DIP,32P,4000MIL,PLAST	6	C218	2305-000665	C-FILM,LEAD-PEF;100nF,5%,63V,TP,7.5x4.0x	
.....5	T0122	2802-001054	RESONATOR-CERAMIC;514.5KHz,1.5KHz,BK,7.0	6	C225	2305-000665	C-FILM,LEAD-PEF;100nF,5%,63V,TP,7.5x4.0x	
.....5	Q101	0501-000389	TR-SMALL SIGNAL;KSC815,NPN,400mW,TO-92,T	6	C226	2305-000665	C-FILM,LEAD-PEF;100nF,5%,63V,TP,7.5x4.0x	
.....5		AA41-11040A	PCB-MTS MODULE;PLT51A,1L,FR-1,245x245x1.	S.N.A6	C227	2305-000665	C-FILM,LEAD-PEF;100nF,5%,63V,TP,7.5x4.0x	
....4	T0603	AA63-10002A	BAND-TIE;-;NYLON66 V2,L100,NTR,0.7,0.7 G	S.N.A6	C241	2305-000665	C-FILM,LEAD-PEF;100nF,5%,63V,TP,7.5x4.0x	
....4	T0603	AA63-10002A	BAND-TIE;-;NYLON66 V2,L100,NTR,0.7,0.7 G	S.N.A6	C255	2305-000665	C-FILM,LEAD-PEF;100nF,5%,63V,TP,7.5x4.0x	
....4		AA63-40027A	SHIELD-CASE,F,-,SPT,E,T0.25,-,-,-,ACT51A,	S.N.A6	C256	2305-000665	C-FILM,LEAD-PEF;100nF,5%,63V,TP,7.5x4.0x	
....4	CIS1	AA65-30105B	CLAMPER CORE-WIRE;ALL MODEL,NYLON 66,V2,	S.N.A6	C264	2305-000665	C-FILM,LEAD-PEF;100nF,5%,63V,TP,7.5x4.0x	
....4	T0267	AA95-01796G	ASSY SUB-PCB,CHROMA;SVP-43J7P,P51A,AA95-	6	C272	2305-000665	C-FILM,LEAD-PEF;100nF,5%,63V,TP,7.5x4.0x	
.....5	IC104	0801-000961	IC-CMOS LOGIC;4053,MULTIPLEXER,DIP,16P,30	6	C216	2301-001664	C-FILM,LEAD-OTHER;100nF,3%,50V,TP,20x16x	
.....5	IC104	0801-000961	IC-CMOS LOGIC;4053,MULTIPLEXER,DIP,16P,30	6	C243	2401-000302	C-AL;100uF,20%,25V,GP,TP,6.3x11.5	
.....5	T0074	1201-001830	IC-VIDEO AMP;EL2250,PDIP,8P,-,DUAL,-,PLA	6	C245	2401-000404	C-AL;10uF,20%,16V,BP,TP,5x11.5	
.....5	IC201	1204-001207	IC-CHROMA;CXA2095S,DIP,48P,-,PLASTIC,12V	6	C270	2401-000480	C-AL;10uF,20%,50V,GP,TP,5x11.5	
.....5	X201	2801-000226	CRYSTAL-UNIT;3.579545MHz,20ppm,28-AAM,15	6	C219	2401-000486	C-AL;10uF,20%,50V,GP,TP,6.3x7mm,5	
.....5	T0122	2802-000169	RESONATOR-CERAMIC;500KHz,2KHz,BK,7.0x3.5	6	C209	2401-000660	C-AL;2.2uF,20%,50V,GP,TP,5x11.5	
.....5	CN202	3711-001283	HEADER-BOARD TO BOARD;NOWALL,14P,1R,2.5m	6	C208	2401-001334	C-AL;0.47uF,20%,50V,GP,TP,5X11.2,5	
.....5	CN203	3711-001283	HEADER-BOARD TO BOARD;NOWALL,14P,1R,2.5m	6	C221	2401-001334	C-AL;0.47uF,20%,50V,GP,TP,5X11.2,5	
.....5	CN204	3711-001283	HEADER-BOARD TO BOARD;NOWALL,14P,1R,2.5m	6	C238	2401-001334	C-AL;0.47uF,20%,50V,GP,TP,5X11.2,5	
.....5	CN201	3711-003543	HEADER-BOARD TO BOARD;NOWALL,16P,1R,2.5M	6	C201	2401-001537	C-AL;47uF,20%,25V,GP,TP,6.3x7mm,5mm	
.....5	T0415	AA63-00100A	SHIELD-CASE;FCC,SPT,E,0.5,-,-,-,SCAN-MODU	S.N.A6	C214	2401-001537	C-AL;47uF,20%,25V,GP,TP,6.3x7mm,5mm	
.....5	T0016	AA97-05032A	ASSY AUTO-SUB;SVP-43J7P,P51A	S.N.A6	C223	2401-001537	C-AL;47uF,20%,25V,GP,TP,6.3x7mm,5mm	
.....6	Q202	0501-000283	TR-SMALL SIGNAL;KSA539,PNP,400mW,TO-92,T	6	C224	2401-001537	C-AL;47uF,20%,25V,GP,TP,6.3x7mm,5mm	
.....6	Q203	0501-000283	TR-SMALL SIGNAL;KSA539,PNP,400mW,TO-92,T	6	C242	2401-001537	C-AL;47uF,20%,25V,GP,TP,6.3x7mm,5mm	
.....6	Q206	0501-000283	TR-SMALL SIGNAL;KSA539,PNP,400mW,TO-92,T	6	C254	2401-001537	C-AL;47uF,20%,25V,GP,TP,6.3x7mm,5mm	
.....6	Q207	0501-000283	TR-SMALL SIGNAL;KSA539,PNP,400mW,TO-92,T	6	C254	2401-001537	C-AL;47uF,20%,25V,GP,TP,6.3x7mm,5mm	
.....6	Q208	0501-000283	TR-SMALL SIGNAL;KSA539,PNP,400mW,TO-92,T	6	C257	2401-001537	C-AL;47uF,20%,25V,GP,TP,6.3x7mm,5mm	
.....6	Q201	0501-000389	TR-SMALL SIGNAL;KSC815,NPN,400mW,TO-92,T	6	C263	2401-001537	C-AL;47uF,20%,25V,GP,TP,6.3x7mm,5mm	
.....6	Q204	0501-000389	TR-SMALL SIGNAL;KSC815,NPN,400mW,TO-92,T	6	C273	2401-001537	C-AL;47uF,20%,25V,GP,TP,6.3x7mm,5mm	
.....6	Q205	0501-000389	TR-SMALL SIGNAL;KSC815,NPN,400mW,TO-92,T	6	C206	2401-001914	C-AL;1uF,20%,50V,BP,TP,5x11.5	
.....6	C244	2201-000119	C-CERAMIC,DISC;100NF,+80-20%,50V,Y5V,TP,	6	C212	2401-001914	C-AL;1uF,20%,50V,BP,TP,5x11.5	
.....6	C203	2201-000144	C-CERAMIC,DISC;0.1NF,5%,50V,COG,TP,8.5X3	6	C237	2401-002299	C-AL;4.7uF,20%,50V,GP,TP,5x7.5	
.....6	C204	2201-000144	C-CERAMIC,DISC;0.1NF,5%,50V,COG,TP,8.5X3	6	L201	2702-001094	INDUCTOR-RADIAL;10uH,10%,4x6mm	
.....6	C222	2201-000144	C-CERAMIC,DISC;0.1NF,5%,50V,COG,TP,8.5X3	6	L203	2702-001094	INDUCTOR-RADIAL;10uH,10%,4x6mm	
.....6	C240	2201-000247	C-CERAMIC,DISC;0.015NF,5%,50V,COG,TP,5X3	6		AA97-06098A	ASSY SMD-SUB;SVP-43J7P,P51A	S.N.A
.....6	C239	2201-000558	C-CERAMIC,DISC;0.47NF,10%,50V,Y5P,TP,5X3	7	D202	0401-000133	DIODE-SWITCHING;RLS4148,75V,150mA,LL-34,	
.....6	C234	2201-000573	C-CERAMIC,DISC;0.047NF,5%,50V,COG,TP,5X3	7	D203	0401-000133	DIODE-SWITCHING;RLS4148,75V,150mA,LL-34,	
.....6	C235	2201-000573	C-CERAMIC,DISC;0.047NF,5%,50V,COG,TP,5X3	7	D204	0401-000133	DIODE-SWITCHING;RLS4148,75V,150mA,LL-34,	
.....6	C268	2201-000573	C-CERAMIC,DISC;0.047NF,5%,50V,COG,TP,5X3	7	D205	0401-000133	DIODE-SWITCHING;RLS4148,75V,150mA,LL-34,	
.....6				7	D206	0401-000133	DIODE-SWITCHING;RLS4148,75V,150mA,LL-34,	

Electrical Part List

Level	Loc.No.	Code No.	Description;Specification	Remark	Level	Loc.No.	Code No.	Description;Specification	Remark
.....7	D207	0401-000133	DIODE-SWITCHING;RLS4148,75V,150mA,LL-34,	7	R264	2007-000653	R-CHIP;27Kohm,5%,1/8W,TP,2012	
.....7	D208	0401-000133	DIODE-SWITCHING;RLS4148,75V,150mA,LL-34,	7	R268	2007-000653	R-CHIP;27Kohm,5%,1/8W,TP,2012	
.....7	D209	0401-000133	DIODE-SWITCHING;RLS4148,75V,150mA,LL-34,	7	R206	2007-000686	R-CHIP;3.3Kohm,5%,1/8W,TP,2012	
.....7	D210	0401-000133	DIODE-SWITCHING;RLS4148,75V,150mA,LL-34,	7	R205	2007-000710	R-CHIP;3.9Kohm,5%,1/8W,TP,2012	
.....7	D211	0401-000133	DIODE-SWITCHING;RLS4148,75V,150mA,LL-34,	7	R274	2007-000738	R-CHIP;30Kohm,5%,1/8W,TP,2012	
.....7	D212	0401-000133	DIODE-SWITCHING;RLS4148,75V,150mA,LL-34,	7	R210	2007-000757	R-CHIP;330Kohm,5%,1/8W,TP,2012	
.....7	D215	0401-000133	DIODE-SWITCHING;RLS4148,75V,150mA,LL-34,	7	R257	2007-000804	R-CHIP;36Kohm,5%,1/8W,TP,2012	
.....7	DZ201	0403-000314	DIODE-ZENER;RLZJ9.1B,8.8-9.3V,500mW,LL-3	7	R271	2007-000904	R-CHIP;430ohm,5%,1/8W,TP,2012	
.....7	DZ203	0403-001016	DIODE-ZENER;RLZ6.2B,5.96-6.27V,500mW,LL-	7	R202	2007-000931	R-CHIP;470ohm,5%,1/8W,TP,2012	
.....7	DZ204	0403-001016	DIODE-ZENER;RLZ6.2B,5.96-6.27V,500mW,LL-	7	R203	2007-000931	R-CHIP;470ohm,5%,1/8W,TP,2012	
.....7	DZ206	0403-001016	DIODE-ZENER;RLZ6.2B,5.96-6.27V,500mW,LL-	7	R208	2007-000931	R-CHIP;470ohm,5%,1/8W,TP,2012	
.....7	DZ207	0403-001016	DIODE-ZENER;RLZ6.2B,5.96-6.27V,500mW,LL-	7	R226	2007-000941	R-CHIP;47Kohm,5%,1/8W,TP,2012	
.....7	DZ210	0403-001016	DIODE-ZENER;RLZ6.2B,5.96-6.27V,500mW,LL-	7	R270	2007-001001	R-CHIP;510ohm,5%,1/8W,TP,2012	
.....7	DZ202	0403-001117	DIODE-ZENER;RLZ12B,11.44-12.03V,500mW,LL	7	R256	2007-001039	R-CHIP;56Kohm,5%,1/8W,TP,2012	
.....7	DZ208	0403-001117	DIODE-ZENER;RLZ12B,11.44-12.03V,500mW,LL	7	R213	2007-001071	R-CHIP;6.8Kohm,5%,1/8W,TP,2012	
.....7	DZ209	0403-001117	DIODE-ZENER;RLZ12B,11.44-12.03V,500mW,LL	7	R292	2007-001141	R-CHIP;7.5Kohm,5%,1/8W,TP,2012	
.....7	IC205	1204-001214	IC-CHROMA;CXA1839Q,QFP,48P,-,PLASTIC,11V	7	R255	2007-001653	R-CHIP;1.8Kohm,1%,1/8W,TP,2012	
.....7	R201	2007-000029	R-CHIP;0ohm,5%,1/8W,TP,2012	7	R212	2007-001664	R-CHIP;390ohm,1%,1/8W,TP,2012	
.....7	R293	2007-000029	R-CHIP;0ohm,5%,1/8W,TP,2012	7	PCB	AA41-00134C	PCB-CHROMA;SVP-54J7P,CEM-3,2L,C,1.6T,245	S.N.A
.....7	R295	2007-000029	R-CHIP;0ohm,5%,1/8W,TP,2012	5	T0245	0202-001522	SOLDER-WIRE FLUX;LFA3-107,-,D1.2,96.5Sn/	S.N.A
.....7	R204	2007-000210	R-CHIP;1.1Kohm,5%,1/8W,TP,2012	4	T0298	AA95-01801A	ASSY SUB-PCB,D-COMB;PCJ522R,P51A,AA95-00	S.N.A
.....7	R244	2007-000267	R-CHIP;1.8Kohm,5%,1/8W,TP,2012	5	CN01	3711-002703	HEADER-BOARD TO BOARD;NOWALL,5P,1R,2.5mm	
.....7	R245	2007-000267	R-CHIP;1.8Kohm,5%,1/8W,TP,2012	5	CN02	3711-002703	HEADER-BOARD TO BOARD;NOWALL,5P,1R,2.5mm	
.....7	R246	2007-000267	R-CHIP;1.8Kohm,5%,1/8W,TP,2012	5		AA63-40014A	SHIELD-CASE,T,-,SPT,TO.5,-,-,SCT51A	S.N.A
.....7	R214	2007-000270	R-CHIP;1.8Mohm,5%,1/8W,TP,2012	5		AA97-07045A	ASSY AUTO-D-COMB;PCJ522R,P51A,AA95-00531	S.N.A
.....7	R209	2007-000290	R-CHIP;100ohm,5%,1/8W,TP,2012	6	CC01	2401-001496	C-AL;47uF,20%,16V,GP,TP,5x7,5	
.....7	R219	2007-000290	R-CHIP;100ohm,5%,1/8W,TP,2012	6	CC05	2401-001496	C-AL;47uF,20%,16V,GP,TP,5x7,5	
.....7	R221	2007-000290	R-CHIP;100ohm,5%,1/8W,TP,2012	6	CC10	2401-001496	C-AL;47uF,20%,16V,GP,TP,5x7,5	
.....7	R222	2007-000290	R-CHIP;100ohm,5%,1/8W,TP,2012	6	CC11	2401-001496	C-AL;47uF,20%,16V,GP,TP,5x7,5	
.....7	R224	2007-000290	R-CHIP;100ohm,5%,1/8W,TP,2012	6	CC37	2401-001496	C-AL;47uF,20%,16V,GP,TP,5x7,5	
.....7	R229	2007-000290	R-CHIP;100ohm,5%,1/8W,TP,2012	6	CC42	2401-001496	C-AL;47uF,20%,16V,GP,TP,5x7,5	
.....7	R235	2007-000290	R-CHIP;100ohm,5%,1/8W,TP,2012	6	CC46	2401-001496	C-AL;47uF,20%,16V,GP,TP,5x7,5	
.....7	R239	2007-000290	R-CHIP;100ohm,5%,1/8W,TP,2012	6	CC50	2401-001496	C-AL;47uF,20%,16V,GP,TP,5x7,5	
.....7	R243	2007-000290	R-CHIP;100ohm,5%,1/8W,TP,2012	6	CC53	2401-001496	C-AL;47uF,20%,16V,GP,TP,5x7,5	
.....7	R253	2007-000290	R-CHIP;100ohm,5%,1/8W,TP,2012	6	CC03	2401-002009	C-AL;100uF,20%,16V,GP,TP,6.3x7,5	
.....7	R260	2007-000290	R-CHIP;100ohm,5%,1/8W,TP,2012	6	CC07	2401-002009	C-AL;100uF,20%,16V,GP,TP,6.3x7,5	
.....7	R261	2007-000290	R-CHIP;100ohm,5%,1/8W,TP,2012	6	LC01	2702-001095	INDUCTOR-RADIAL;18uH,10%,4x6mm	
.....7	R262	2007-000290	R-CHIP;100ohm,5%,1/8W,TP,2012	6	LC02	2702-001095	INDUCTOR-RADIAL;18uH,10%,4x6mm	
.....7	R263	2007-000290	R-CHIP;100ohm,5%,1/8W,TP,2012	6	LC03	2702-001095	INDUCTOR-RADIAL;18uH,10%,4x6mm	
.....7	R267	2007-000290	R-CHIP;100ohm,5%,1/8W,TP,2012	6	LC05	2702-001095	INDUCTOR-RADIAL;18uH,10%,4x6mm	
.....7	R275	2007-000290	R-CHIP;100ohm,5%,1/8W,TP,2012	6	LC06	2702-001095	INDUCTOR-RADIAL;18uH,10%,4x6mm	
.....7	R276	2007-000290	R-CHIP;100ohm,5%,1/8W,TP,2012	6	LC07	2702-001095	INDUCTOR-RADIAL;18uH,10%,4x6mm	
.....7	R277	2007-000290	R-CHIP;100ohm,5%,1/8W,TP,2012	6	LC08	2702-001095	INDUCTOR-RADIAL;18uH,10%,4x6mm	
.....7	R280	2007-000290	R-CHIP;100ohm,5%,1/8W,TP,2012	6	LC09	2702-001095	INDUCTOR-RADIAL;18uH,10%,4x6mm	
.....7	R281	2007-000290	R-CHIP;100ohm,5%,1/8W,TP,2012	6	LC10	2702-001095	INDUCTOR-RADIAL;18uH,10%,4x6mm	
.....7	R282	2007-000290	R-CHIP;100ohm,5%,1/8W,TP,2012	6		AA97-06933A	ASSY SMD-D-COMB;PCJ522R,P51A,AA95-00531B	S.N.A
.....7	R283	2007-000290	R-CHIP;100ohm,5%,1/8W,TP,2012	7	IC117	1204-001230	IC-SEPARATOR;CXD2043Q,QFP,80P,-,PLASTIC,	
.....7	R284	2007-000290	R-CHIP;100ohm,5%,1/8W,TP,2012	7	RE41	2007-000029	R-CHIP;0ohm,5%,1/8W,TP,2012	
.....7	R285	2007-000290	R-CHIP;100ohm,5%,1/8W,TP,2012	7	RE43	2007-000029	R-CHIP;0ohm,5%,1/8W,TP,2012	
.....7	R217	2007-000300	R-CHIP;10Kohm,5%,1/8W,TP,2012	7	RC05	2007-000030	R-CHIP;560ohm,5%,1/8W,TP,2012	
.....7	R273	2007-000300	R-CHIP;10Kohm,5%,1/8W,TP,2012	7	RC64	2007-000030	R-CHIP;560ohm,5%,1/8W,TP,2012	
.....7	R291	2007-000300	R-CHIP;10Kohm,5%,1/8W,TP,2012	7	RC74	2007-000030	R-CHIP;560ohm,5%,1/8W,TP,2012	
.....7	R211	2007-000406	R-CHIP;15Kohm,5%,1/8W,TP,2012	7	RC01	2007-000290	R-CHIP;100ohm,5%,1/8W,TP,2012	
.....7	R230	2007-000409	R-CHIP;15Kohm,5%,1/8W,TP,2012	7	RC10	2007-000290	R-CHIP;100ohm,5%,1/8W,TP,2012	
.....7	R254	2007-000457	R-CHIP;18Kohm,5%,1/8W,TP,2012	7	RC62	2007-000290	R-CHIP;100ohm,5%,1/8W,TP,2012	
.....7	R220	2007-000465	R-CHIP;1Kohm,1%,1/8W,TP,2012	7	RC72	2007-000290	R-CHIP;100ohm,5%,1/8W,TP,2012	
.....7	R207	2007-000468	R-CHIP;1Kohm,5%,1/8W,TP,2012	7	RE12	2007-000300	R-CHIP;10Kohm,5%,1/8W,TP,2012	
.....7	R215	2007-000468	R-CHIP;1Kohm,5%,1/8W,TP,2012	7	RC08	2007-000457	R-CHIP;18Kohm,5%,1/8W,TP,2012	
.....7	R223	2007-000468	R-CHIP;1Kohm,5%,1/8W,TP,2012	7	RC03	2007-000468	R-CHIP;1Kohm,5%,1/8W,TP,2012	
.....7	R225	2007-000468	R-CHIP;1Kohm,5%,1/8W,TP,2012	7	RC04	2007-000468	R-CHIP;1Kohm,5%,1/8W,TP,2012	
.....7	R231	2007-000468	R-CHIP;1Kohm,5%,1/8W,TP,2012	7	RC49	2007-000468	R-CHIP;1Kohm,5%,1/8W,TP,2012	
.....7	R234	2007-000468	R-CHIP;1Kohm,5%,1/8W,TP,2012	7	RC51	2007-000468	R-CHIP;1Kohm,5%,1/8W,TP,2012	
.....7	R238	2007-000468	R-CHIP;1Kohm,5%,1/8W,TP,2012	7	RC55	2007-000468	R-CHIP;1Kohm,5%,1/8W,TP,2012	
.....7	R258	2007-000468	R-CHIP;1Kohm,5%,1/8W,TP,2012	7	RC66	2007-000468	R-CHIP;1Kohm,5%,1/8W,TP,2012	
.....7	R216	2007-000507	R-CHIP;2.49Kohm,1%,1/8W,TP,2012	7	RC76	2007-000468	R-CHIP;1Kohm,5%,1/8W,TP,2012	
.....7	R233	2007-000572	R-CHIP;220ohm,5%,1/8W,TP,2012	7	RE16	2007-000468	R-CHIP;1Kohm,5%,1/8W,TP,2012	
.....7	R237	2007-000572	R-CHIP;220ohm,5%,1/8W,TP,2012	7	RC63	2007-000493	R-CHIP;2.2Kohm,5%,1/8W,TP,2012	
.....7	R241	2007-000572	R-CHIP;220ohm,5%,1/8W,TP,2012	7	RC73	2007-000493	R-CHIP;2.2Kohm,5%,1/8W,TP,2012	
.....7	R247	2007-000572	R-CHIP;220ohm,5%,1/8W,TP,2012	7	RE11	2007-000586	R-CHIP;22Kohm,5%,1/8W,TP,2012	
.....7	R248	2007-000572	R-CHIP;220ohm,5%,1/8W,TP,2012	7	RC71	2007-000607	R-CHIP;240ohm,5%,1/8W,TP,2012	
.....7	R249	2007-000572	R-CHIP;220ohm,5%,1/8W,TP,2012	7	RC61	2007-000642	R-CHIP;270ohm,5%,1/8W,TP,2012	
.....7	R250	2007-000572	R-CHIP;220ohm,5%,1/8W,TP,2012	7	RE14	2007-000642	R-CHIP;270ohm,5%,1/8W,TP,2012	
.....7	R251	2007-000572	R-CHIP;220ohm,5%,1/8W,TP,2012	7	RC11	2007-000653	R-CHIP;27Kohm,5%,1/8W,TP,2012	
.....7	R252	2007-000572	R-CHIP;220ohm,5%,1/8W,TP,2012	7	RC09	2007-000686	R-CHIP;3.3Kohm,5%,1/8W,TP,2012	
.....7	R278	2007-000572	R-CHIP;220ohm,5%,1/8W,TP,2012	7	RC52	2007-000686	R-CHIP;3.3Kohm,5%,1/8W,TP,2012	
.....7	R279	2007-000572	R-CHIP;220ohm,5%,1/8W,TP,2012	7	RC53	2007-000686	R-CHIP;3.3Kohm,5%,1/8W,TP,2012	
.....7	R272	2007-000586	R-CHIP;22Kohm,5%,1/8W,TP,2012	7	RE15	2007-000904	R-CHIP;430ohm,5%,1/8W,TP,2012	

Level	Loc.No.	Code No.	Description;Specification	Remark	Level	Loc.No.	Code No.	Description;Specification	Remark
.....7	RE13	2007-000931	R-CHIP;470ohm,5%,1/8W,TP,2012	6	R118	2001-001114	R-CARBON(S);270OHM,5%,1/2W,AA,TP,2.4X6.4	
.....7	RC06	2007-000981	R-CHIP;5.6Kohm,5%,1/8W,TP,2012	6	C113	2201-000222	C-CERAMIC,DISC;0.012NF,5%,50V,C0G,TP,5X3	
.....7	RC65	2007-000981	R-CHIP;5.6Kohm,5%,1/8W,TP,2012	6	C101	2202-000797	C-CERAMIC,MLC-AXIAL;10NF,30%,16V,Y5S,TP,	
.....7	RC75	2007-000981	R-CHIP;5.6Kohm,5%,1/8W,TP,2012	6	C102	2202-000797	C-CERAMIC,MLC-AXIAL;10NF,30%,16V,Y5S,TP,	
.....7	RC45	2007-001028	R-CHIP;560ohm,1%,1/8W,TP,2012	6	C103	2202-000797	C-CERAMIC,MLC-AXIAL;10NF,30%,16V,Y5S,TP,	
.....7	RC44	2007-001039	R-CHIP;56Kohm,5%,1/8W,TP,2012	6	C104	2202-000797	C-CERAMIC,MLC-AXIAL;10NF,30%,16V,Y5S,TP,	
.....7	RC07	2007-001118	R-CHIP;680ohm,5%,1/8W,TP,2012	6	C105	2202-000797	C-CERAMIC,MLC-AXIAL;10NF,30%,16V,Y5S,TP,	
.....7	RC48	2007-001166	R-CHIP;75ohm,5%,1/8W,TP,2012	6	C108	2202-000797	C-CERAMIC,MLC-AXIAL;10NF,30%,16V,Y5S,TP,	
.....7	RC67	2007-001166	R-CHIP;75ohm,5%,1/8W,TP,2012	6	C109	2202-000797	C-CERAMIC,MLC-AXIAL;10NF,30%,16V,Y5S,TP,	
.....7	RC77	2007-001166	R-CHIP;75ohm,5%,1/8W,TP,2012	6	C107	2301-000224	C-FILM,LEAD-PEF;22nF,5%,50V,TP,7.4x3.9x1	
.....7	RC54	2007-001201	R-CHIP;820ohm,5%,1/8W,TP,2012	6	C106	2401-000603	C-AL;1UF,20%,50V,GP,TP,5X11,2	
.....7	CC02	2203-000181	C-CER,CHIP;100nF,+80-20%,25V,Y5V,TP,2012	6	C115	2401-000603	C-AL;1UF,20%,50V,GP,TP,5X11,2	
.....7	CC04	2203-000181	C-CER,CHIP;100nF,+80-20%,25V,Y5V,TP,2012	6	C111	2401-001077	C-AL;330nF,20%,50V,GP,TP,4x7mm,5mm	
.....7	CC06	2203-000181	C-CER,CHIP;100nF,+80-20%,25V,Y5V,TP,2012	6	C110	2401-001625	C-AL;6.8uF,20%,50V,GP,TP,5x11,5	
.....7	CC08	2203-000181	C-CER,CHIP;100nF,+80-20%,25V,Y5V,TP,2012	6	C114	2401-002183	C-AL;220uF,20%,16V,GP,TP,8x9,5mm	
.....7	CC12	2203-000181	C-CER,CHIP;100nF,+80-20%,25V,Y5V,TP,2012	6	L101	2701-000171	INDUCTOR-AXIAL;0.33UH,10%,2534	
.....7	CC35	2203-000181	C-CER,CHIP;100nF,+80-20%,25V,Y5V,TP,2012	6	L104	2701-000191	INDUCTOR-AXIAL;47UH,10%,2534	
.....7	CC38	2203-000181	C-CER,CHIP;100nF,+80-20%,25V,Y5V,TP,2012	6	L105	2701-000215	INDUCTOR-AXIAL;8.2UH,10%,2534	
.....7	CC41	2203-000181	C-CER,CHIP;100nF,+80-20%,25V,Y5V,TP,2012	6	F102	2903-000129	FILTER-CERAMIC;BR,4.5MHz,---,TP,-	
.....7	CC43	2203-000181	C-CER,CHIP;100nF,+80-20%,25V,Y5V,TP,2012	6	PCB	AA41-00234B	PCB-IF MODULE;K56B,1L,FR-1,245x245x1.6T,	S.N.A
.....7	CC44	2203-000181	C-CER,CHIP;100nF,+80-20%,25V,Y5V,TP,2012	6	F101	2903-001241	FILTER-CERAMIC;BP,4.5MHz,120KHz,6dB,1dB,	
.....7	CC45	2203-000181	C-CER,CHIP;100nF,+80-20%,25V,Y5V,TP,2012	5	T0245	0202-001522	SOLDER-WIRE FLUX;LFA3-107,-,D1,2.96.5Sn/	S.N.A
.....7	CC47	2203-000181	C-CER,CHIP;100nF,+80-20%,25V,Y5V,TP,2012	4	T0156	AA95-01832A	ASSY SUB-PCB,P1P;P51A,AA95-00649A	S.N.A
.....7	CC48	2203-000181	C-CER,CHIP;100nF,+80-20%,25V,Y5V,TP,2012	5	XP01	2801-004019	CRYSTAL-UNIT;20.25MHz,30ppm,28-AA,13pF,	
.....7	CC49	2203-000181	C-CER,CHIP;100nF,+80-20%,25V,Y5V,TP,2012	5	CNP02	3711-002702	HEADER-BOARD TO BOARD;NOWALL,4P,1R,2.5mm	
.....7	CC51	2203-000181	C-CER,CHIP;100nF,+80-20%,25V,Y5V,TP,2012	5	CNP03	3711-002703	HEADER-BOARD TO BOARD;NOWALL,5P,1R,2.5mm	
.....7	CC52	2203-000181	C-CER,CHIP;100nF,+80-20%,25V,Y5V,TP,2012	5	CNP04	3711-002704	HEADER-BOARD TO BOARD;NOWALL,6P,1R,2.5mm	
.....7	CC54	2203-000181	C-CER,CHIP;100nF,+80-20%,25V,Y5V,TP,2012	5	CNP01	3711-002705	HEADER-BOARD TO BOARD;NOWALL,7P,1R,2.5mm	
.....7	CE07	2203-000239	C-CER,CHIP;0.1nF,5%,50V,C0G,2012	5	M0107	AA61-10068A	BRACKET-PCB;M2160,SPT,TO.3,---,---	S.N.A
.....7	CE10	2203-000239	C-CER,CHIP;0.1nF,5%,50V,C0G,2012	5	T0016	AA97-05135A	ASSY AUTO-SUB;P51A	S.N.A
.....7	CC32	2203-000260	C-CER,CHIP;10nF,10%,50V,X7R,2012	6	CP24	2401-000660	C-AL;2.2uF,20%,50V,GP,TP,5x11,5	
.....7	CC15	2203-000361	C-CER,CHIP;0.15nF,5%,50V,C0G,2012	6	CP27	2401-000660	C-AL;2.2uF,20%,50V,GP,TP,5x11,5	
.....7	CC31	2203-000444	C-CER,CHIP;1nF,10%,50V,X7R,2012	6	CP21	2401-000025	C-AL;100uF,20%,16V,GP,TP,6.3x11,5	
.....7	CC33	2203-000609	C-CER,CHIP;22nF,10%,50V,X7R,TP,2012	6	CP05	2401-002144	C-AL;47uF,20%,16V,GP,TP,5x11,5	
.....7	F105	2909-001051	FILTER-LC;6MHz,6MHz,0.8dB,TP,5dB/6MHz,30	6	CP07	2401-002144	C-AL;47uF,20%,16V,GP,TP,5x11,5	
.....7	F105	2909-001051	FILTER-LC;6MHz,6MHz,0.8dB,TP,5dB/6MHz,30	6	CP09	2401-002144	C-AL;47uF,20%,16V,GP,TP,5x11,5	
.....7	F105	2909-001051	FILTER-LC;6MHz,6MHz,0.8dB,TP,5dB/6MHz,30	6	CP19	2401-000050	C-AL;10uF,20%,16V,GP,TP,5x11,2.5	
.....7	PCB	AA41-00129A	PCB-2D COB;P51A,2L,FR-4,180X245X1.6T,6A	S.N.A6	F101	2901-000297	FILTER-EMI ON BOARD;-3A,-,-,3.5x5,TP,-	
.....7	QC03	0501-000434	TR-SMALL SIGNAL;KTC3875S-GR,NPN,150mW,SO	6	F101	2901-000297	FILTER-EMI ON BOARD;-3A,-,-,3.5x5,TP,-	
.....7	QC12	0501-000434	TR-SMALL SIGNAL;KTC3875S-GR,NPN,150mW,SO	6	F101	2901-000297	FILTER-EMI ON BOARD;-3A,-,-,3.5x5,TP,-	
.....7	QC14	0501-000434	TR-SMALL SIGNAL;KTC3875S-GR,NPN,150mW,SO	6	F101	2901-000297	FILTER-EMI ON BOARD;-3A,-,-,3.5x5,TP,-	
.....7	QE02	0501-000434	TR-SMALL SIGNAL;KTC3875S-GR,NPN,150mW,SO	6	F101	2901-000297	FILTER-EMI ON BOARD;-3A,-,-,3.5x5,TP,-	
.....7	QC01	0501-000669	TR-SMALL SIGNAL;KTA1505Y,PNP,150mW,SOT-2	6	AA97-06137A	ASSY SMD-SUB;P51A	S.N.A	
.....7	QC02	0501-000669	TR-SMALL SIGNAL;KTA1505Y,PNP,150mW,SOT-2	7	T0087	1203-001419	IC-POSIX.FIXED REG.;4931,TO-252,3P,6.6x10	
.....7	QC11	0501-000669	TR-SMALL SIGNAL;KTA1505Y,PNP,150mW,SOT-2	7	IC118	1204-001668	IC-VIDEO PROCESS;SDA9488X,SOP,28P,300MIL	
.....7	QC13	0501-000669	TR-SMALL SIGNAL;KTA1505Y,PNP,150mW,SOT-2	7	RP23	2007-000029	R-CHIP;0ohm,5%,1/8W,TP,2012	
.....7	QE03	0501-000669	TR-SMALL SIGNAL;KTA1505Y,PNP,150mW,SOT-2	7	RP24	2007-000029	R-CHIP;0ohm,5%,1/8W,TP,2012	
.....7	RP26	2007-000029	R-CHIP;0ohm,5%,1/8W,TP,2012	7	RP26	2007-000029	R-CHIP;0ohm,5%,1/8W,TP,2012	
.....5	T0245	0202-001522	SOLDER-WIRE FLUX;LFA3-107,-,D1,2.96.5Sn/	S.N.A7	RP28	2007-000029	R-CHIP;0ohm,5%,1/8W,TP,2012	
.....4	T0321	AA95-01813C	ASSY SUB-PCB,IF MODULE;AA95-00527A,AA95	7	RP03	2007-000290	R-CHIP;100ohm,5%,1/8W,TP,2012	
.....5	IC101	1204-001435	IC-IF SYSTEM;LA7565B,DIP,24P,300MIL,PLAS	7	RP04	2007-000290	R-CHIP;100ohm,5%,1/8W,TP,2012	
.....5	SF01	2904-000288	FILTER-SAW AV;45.75MHz,SIP5K,ST,15.2dB,M	7	RP05	2007-000290	R-CHIP;100ohm,5%,1/8W,TP,2012	
.....5	CNW201	3711-002707	HEADER-BOARD TO BOARD;NOWALL,9P,1R,2.5mm	7	RP06	2007-000290	R-CHIP;100ohm,5%,1/8W,TP,2012	
.....5	L102	AA26-00047A	TRANS RF;-7MG,VIF,-,7.7x12.4,39pF,47.85	7	RP22	2007-000290	R-CHIP;100ohm,5%,1/8W,TP,2012	
.....5	M0146	AA63-00244B	SHIELD CASE;ALL MODEL,SPT,TO.5,---,---	S.N.A7	RP07	2007-000300	R-CHIP;10Kohm,5%,1/8W,TP,2012	
.....5	T0016	AA97-05503A	ASSY AUTO-SUB;PROJ,P51A,AA95-00527A	S.N.A7	RP21	2007-000300	R-CHIP;10Kohm,5%,1/8W,TP,2012	
.....6	TR102	0501-000283	TR-SMALL SIGNAL;KSA539,PNP,400mW,TO-92,T	7	RP01	2007-000468	R-CHIP;1Kohm,5%,1/8W,TP,2012	
.....6	TR101	0501-000348	TR-SMALL SIGNAL;KSC1674,NPN,250mW,TO-92,	7	RP48	2007-000468	R-CHIP;1Kohm,5%,1/8W,TP,2012	
.....6	R104	2001-000003	R-CARBON;330ohm,5%,1/8W,AA,TP,1.8X3.2MM	7	RP50	2007-000468	R-CHIP;1Kohm,5%,1/8W,TP,2012	
.....6	R109	2001-000009	R-CARBON;20KOHM,5%,1/8W,AA,TP,1.8X3.2MM	7	RP31	2007-000572	R-CHIP;220ohm,5%,1/8W,TP,2012	
.....6	R102	2001-000221	R-CARBON;1.2KOHM,5%,1/8W,AA,TP,1.8X3.2MM	7	RP30	2007-000607	R-CHIP;240ohm,5%,1/8W,TP,2012	
.....6	R106	2001-000273	R-CARBON;100KOHM,5%,1/8W,AA,TP,1.8X3.2MM	7	RP51	2007-000844	R-CHIP;3Kohm,5%,1/8W,TP,2012	
.....6	R105	2001-000281	R-CARBON;100OHM,5%,1/8W,AA,TP,1.8X3.2MM	7	RP02	2007-000931	R-CHIP;470ohm,5%,1/8W,TP,2012	
.....6	R121	2001-000281	R-CARBON;100OHM,5%,1/8W,AA,TP,1.8X3.2MM	7	RP11	2007-000931	R-CHIP;470ohm,5%,1/8W,TP,2012	
.....6	R120	2001-000290	R-CARBON;10KOHM,5%,1/8W,AA,TP,1.8X3.2MM	7	RP15	2007-000931	R-CHIP;470ohm,5%,1/8W,TP,2012	
.....6	R112	2001-000362	R-CARBON;150OHM,5%,1/8W,AA,TP,1.8X3.2MM	7	RP19	2007-000931	R-CHIP;470ohm,5%,1/8W,TP,2012	
.....6	R101	2001-000405	R-CARBON;180OHM,5%,1/8W,AA,TP,1.8X3.2MM	7	RP09	2007-000941	R-CHIP;47Kohm,5%,1/8W,TP,2012	
.....6	R113	2001-000405	R-CARBON;180OHM,5%,1/8W,AA,TP,1.8X3.2MM	7	RP10	2007-000941	R-CHIP;47Kohm,5%,1/8W,TP,2012	
.....6	R110	2001-000563	R-CARBON;27KOHM,5%,1/8W,AA,TP,1.8X3.2MM	7	RP13	2007-000941	R-CHIP;47Kohm,5%,1/8W,TP,2012	
.....6	R107	2001-000613	R-CARBON;3.9KOHM,5%,1/8W,AA,TP,1.8X3.2MM	7	RP14	2007-000941	R-CHIP;47Kohm,5%,1/8W,TP,2012	
.....6	R117	2001-000613	R-CARBON;3.9KOHM,5%,1/8W,AA,TP,1.8X3.2MM	7	RP17	2007-000941	R-CHIP;47Kohm,5%,1/8W,TP,2012	
.....6	R130	2001-000613	R-CARBON;3.9KOHM,5%,1/8W,AA,TP,1.8X3.2MM	7	RP18	2007-000941	R-CHIP;47Kohm,5%,1/8W,TP,2012	
.....6	R103	2001-000734	R-CARBON;4.7KOHM,5%,1/8W,AA,TP,1.8X3.2MM	7	RP49	2007-000964	R-CHIP;5.1Kohm,5%,1/8W,TP,2012	
.....6	R119	2001-000780	R-CARBON;470OHM,5%,1/8W,AA,TP,1.8X3.2MM	7	RP08	2007-001166	R-CHIP;75ohm,5%,1/8W,TP,2012	
.....6	R108	2001-000786	R-CARBON;47KOHM,5%,1/8W,AA,TP,1.8X3.2MM	7	RP12	2007-001166	R-CHIP;75ohm,5%,1/8W,TP,2012	
.....6	R123	2001-000800	R-CARBON;5.1KOHM,5%,1/8W,AA,TP,1.8X3.2MM	7	RP16	2007-001166	R-CHIP;75ohm,5%,1/8W,TP,2012	
.....6	R111	2001-000837	R-CARBON;51KOHM,5%,1/8W,AA,TP,1.8X3.2MM	7	RP32	2007-001201	R-CHIP;820ohm,5%,1/8W,TP,2012	
.....6	R114	2001-000995	R-CARBON;820OHM,5%,1/8W,AA,TP,1.8X3.2MM	7	CP12	2203-000181	C-CER,CHIP;100nF,+80-20%,25V,Y5V,TP,2012	

Electrical Part List

Level	Loc.No.	Code No.	Description;Specification	Remark	Level	Loc.No.	Code No.	Description;Specification	Remark
.....7	CP14	2203-000181	C-CER,CHIP;100nF,+80-20%,25V,Y5V,TP,2012	6	CZ150	2201-000516	C-CERAMIC,DISC;4.7nF,+100-0%,500V,Y5U,-	
.....7	CP16	2203-000181	C-CER,CHIP;100nF,+80-20%,25V,Y5V,TP,2012	6	CZ155	2201-000604	C-CERAMIC,DISC;0.056nF,+100-0%,500V,SL,-	
.....7	CP22	2203-000181	C-CER,CHIP;100nF,+80-20%,25V,Y5V,TP,2012	6	CZ144	2401-000480	C-AL;10uF,20%,50V,GP,TP,5x11,5	
.....7	CP25	2203-000181	C-CER,CHIP;100nF,+80-20%,25V,Y5V,TP,2012	6	CZ146	2401-000832	C-AL;220uF,20%,25V,GP,TP,8x11.5,5	
.....7	CP28	2203-000181	C-CER,CHIP;100nF,+80-20%,25V,Y5V,TP,2012	6	CZ152	2401-001157	C-AL;33uF,20%,160V,GP,TP,12.5x20,5	
.....7	CP06	2203-000260	C-CER,CHIP;10nF,10%,50V,X7R,2012	6	CZ167	2401-001220	C-AL;4.7uF,20%,160V,GP,TP,8x11.5,5	
.....7	CP08	2203-000260	C-CER,CHIP;10nF,10%,50V,X7R,2012	6	CZ167A	2401-001220	C-AL;4.7uF,20%,160V,GP,TP,8x11.5,5	
.....7	CP10	2203-000260	C-CER,CHIP;10nF,10%,50V,X7R,2012	6	CZ151	2401-001513	C-AL;47uF,20%,16V,WT,TP,5x11,5	
.....7	CP18	2203-000260	C-CER,CHIP;10nF,10%,50V,X7R,2012	6	CZ153	2401-001513	C-AL;47uF,20%,16V,WT,TP,5x11,5	
.....7	CP20	2203-000260	C-CER,CHIP;10nF,10%,50V,X7R,2012	6	LZ112	2701-000002	INDUCTOR-AXIAL;100UH,10%,4298	
.....7	CP23	2203-000260	C-CER,CHIP;10nF,10%,50V,X7R,2012	6	EL01	6042-000001	EYELET;ID2.2,OD2.7,L3.1,NI+SN,BSP3-1/2H	S.N.A
.....7	CP26	2203-000260	C-CER,CHIP;10nF,10%,50V,X7R,2012	6	EL02	6042-000001	EYELET;ID2.2,OD2.7,L3.1,NI+SN,BSP3-1/2H	S.N.A
.....7	CP01	2203-000274	C-CER,CHIP;0.01nF,0.25pF,50V,C0G,2012	6	GTZ01	BH71-40300A	PIN-HINGE;BRASS,D2.361,HEAT/SINK,SN	S.N.A
.....7	CP02	2203-000274	C-CER,CHIP;0.01nF,0.25pF,50V,C0G,2012	6	PCB	AA41-00018B	PCB-V/M MODULE;P51A,1L,FR-1,245x245x1.6T	S.N.A
.....7	CP03	2203-000408	C-CER,CHIP;0.18nF,5%,50V,C0G,2012	5	T0245	0202-001522	SOLDER-WIRE FLUX;LFA3-107,-,D1.2,96.SSn/	S.N.A
.....7	CP17	2203-001245	C-CER,CHIP;0.082nF,5%,50V,NP0,TP,2012	4	IC665	AA96-00038A	ASSY HEAT SINK P,-,SOUND AMP,AA62-30173E	S.N.A
.....7	CP11	2203-005384	C-CER,CHIP;4700nF,+80-20%,10V,Y5V,2012	5	M0081	6003-000333	SCREW-TAPTITE;RH,+2S,M3,L10,ZPC(YEL),SW	S.N.A
.....7	CP13	2203-005384	C-CER,CHIP;4700nF,+80-20%,10V,Y5V,2012	5	T0066	AA62-30173E	HEAT SINK-ES,-,T1.0,WHITE,SCREW-HOLE(1	S.N.A
.....7	CP15	2203-005384	C-CER,CHIP;4700nF,+80-20%,10V,Y5V,2012	5	T0124	1201-001026	IC-POWER AMP;7265,ZIP,11P,19.6MIL,DUAL,1	
.....7	PCB	AA41-000278B	PCB-PIP MODULE;ALL MODEL,CEM-3,2L,B,1.6T	S.N.A5	CIS1	0205-001154	OIL-SILICON;G746,-,-	S.N.A
.....7	QP01	0501-000434	TR-SMALL SIGNAL;KTC3875S-GR,NPN,150mW,SO	4	IC102	AA96-00110A	ASSY HEAT SINK P,-,AA62-30013K,SI-3050C	S.N.A
.....7	QP02	0501-000434	TR-SMALL SIGNAL;KTC3875S-GR,NPN,150mW,SO	4	IC504	AA96-00110A	ASSY HEAT SINK P,-,AA62-30013K,SI-3050C	S.N.A
.....7	QP03	0501-000434	TR-SMALL SIGNAL;KTC3875S-GR,NPN,150mW,SO	5	M0081	6003-000333	SCREW-TAPTITE;RH,+2S,M3,L10,ZPC(YEL),SW	S.N.A
.....7	QP04	0501-000434	TR-SMALL SIGNAL;KTC3875S-GR,NPN,150mW,SO	5	T0066	AA62-30013K	HEAT SINK-ES,-,44/18,-,WHT,A6063 E	S.N.A
.....4	T0098	AA95-01853C	ASSY SUB-PCB,V/M;SVP-43J4A,P51A,KOREAAA9	5	IC012	1203-000203	IC-POSI.ADJUST REG.;3050,T0-220,5P,-,PLA	
.....5	CN402	3711-000447	HEADER-BOARD TO CABLE;BOX,3P,1R,2.5mm,AN	4	IC101	AA96-00110C	ASSY HEAT SINK P,-,AA62-30013K,SI-3090C	S.N.A
.....5	CN403	3711-000447	HEADER-BOARD TO CABLE;BOX,3P,1R,2.5mm,AN	5	M0081	6003-000333	SCREW-TAPTITE;RH,+2S,M3,L10,ZPC(YEL),SW	S.N.A
.....5	CN404	3711-000447	HEADER-BOARD TO CABLE;BOX,3P,1R,2.5mm,AN	5	T0066	AA62-30013K	HEAT SINK-ES,-,44/18,-,WHT,A6063 E	S.N.A
.....5	CN401	3711-002705	HEADER-BOARD TO BOARD;NOWALL,7P,1R,2.5mm	5	T0087	1203-000577	IC-POSI.FIXED REG.;3090,ZIP,5P,-,PLASTIC	
.....5	M0107	AA61-10068A	BRACKET-PCB;M2160,SPTTE,T0.3,-,-,-	S.N.A4	AA97-02319A	ASSY ROBOT-MAIN;PCJ522R3C/XAA,P51A,U.S.A	S.N.A	
.....5	M0107	AA61-10068A	BRACKET-PCB;M2160,SPTTE,T0.3,-,-,-	S.N.A5	DS801	0402-000102	DIODE-BRIDGE;D2SB60,600V,1.5A,SIP,4,ST	
.....5	QZ107	AA96-50162F	ASSY HEAT SINK P,-,POWER,AA62-30013E,2SA	S.N.A5	ICS802	0604-001032	PHOTO-COUPLER;TR,170-260%,300mW,DIP,4,ST	
.....6	M0081	6003-000333	SCREW-TAPTITE;RH,+2S,M3,L10,ZPC(YEL),SW	S.N.A5	IC112	1103-001105	IC-EEPROM;24C040,512x8,DIP,8P,9.6x6.4mm,	
.....6	T0066	AA62-30013E	HEAT SINK-ES,-,A6063 EXTR,-,-,30(21) T02	S.N.A5	CS810	2201-000446	C-CERAMIC,DISC;3.3NF,20%,400V,Y5U,BK,15X	
.....6		0502-000131	TR-POWER;2SA1011-D,PNP,1.2W,T0-220,-,60	5	CS811	2201-000446	C-CERAMIC,DISC;3.3NF,20%,400V,Y5U,BK,15X	
.....5	QZ108	AA96-50162Z	ASSY HEAT SINK P,-,AMP,AA62-30013E,2SC23	S.N.A5	CN201	3711-003051	HEADER-BOARD TO CABLE;BOX,8P,1R,2.5mm,ST	
.....6	M0081	6003-000333	SCREW-TAPTITE;RH,+2S,M3,L10,ZPC(YEL),SW	S.N.A5	CN501	3711-003051	HEADER-BOARD TO CABLE;BOX,8P,1R,2.5mm,ST	
.....6	T0066	AA62-30013E	HEAT SINK-ES,-,A6063 EXTR,-,-,30(21) T02	S.N.A5	CN202	3711-003052	HEADER-BOARD TO CABLE;BOX,10P,1R,2.5mm,S	
.....6		0502-000153	TR-POWER;2SC2344-D,NPN,1.2W,T0-220,-,60	5	CNY01	3711-003973	HEADER-BOARD TO CABLE;BOX,11P,1R,2.5mm,S	
.....5	T0016	AA97-04938A	ASSY AUTO-SUB;SVP-43J4A,P51A,KOREA	S.N.A5	CN801	3711-003974	HEADER-BOARD TO CABLE;BOX,12P,1R,2.5mm,S	
.....6	DZ116	0401-000005	DIODE-SWITCHING;1N4148,75V,150mA,DO-35,T	5	T0119	AA09-00095A	IC MICOM;Z9035612PSC-R50LM,SZM-386U,52P,	
.....6	DZ117	0401-000005	DIODE-SWITCHING;1N4148,75V,150mA,DO-35,T	5	IC063	AA13-00024A	IC HYBRID,-,TNY253P,-,8PIN,-,-	
.....6	DZ119	0401-000005	DIODE-SWITCHING;1N4148,75V,150mA,DO-35,T	5	IC501	AA96-00111L	ASSY HEAT SINK P,-,AA62-30013L,KA78R12	S.N.A
.....6	DZ118	0402-000546	DIODE-RECTIFIER;TVR10G,400V,1.0A,DO-41,T	6	M0081	6003-000333	SCREW-TAPTITE;RH,+2S,M3,L10,ZPC(YEL),SW	S.N.A
.....6	DZ120	0402-000546	DIODE-RECTIFIER;TVR10G,400V,1.0A,DO-41,T	6	T0066	AA62-30013L	HEAT SINK-ES,-,44/22,-,WHT,-,-,-	S.N.A
.....6	DZ121	0402-000546	DIODE-RECTIFIER;TVR10G,400V,1.0A,DO-41,T	6	IC012	1203-000165	IC-POSI.ADJUST REG.;78R12,T0-220,4P,-,PL	
.....6	QZ106	0501-000283	TR-SMALL SIGNAL;KSA539,PNP,400mW,T0-92,T	5	IC807	AA96-50147A	ASSY HEAT SINK P,-,TR,AA62-30012B,KA7805	S.N.A
.....6	QZ103	0501-000389	TR-SMALL SIGNAL;KSC815,NPN,400mW,T0-92,T	6	M0081	6003-000333	SCREW-TAPTITE;RH,+2S,M3,L10,ZPC(YEL),SW	S.N.A
.....6	QZ104	0501-000389	TR-SMALL SIGNAL;KSC815,NPN,400mW,T0-92,T	6	T0066	AA62-30012B	HEAT SINK-ES,-,A6063 EXTR,-,-,45(16) T02	S.N.A
.....6	QZ105	0501-000389	TR-SMALL SIGNAL;KSC815,NPN,400mW,T0-92,T	6	T0087	1203-000001	IC-POSI.FIXED REG.;7805,T0-220,3P,-,PLAS	
.....6	RZ169	2001-000019	R-CARBON(S);10OHM,5%,1/2W,AA,TP,2.4X6.4MM	5	M0014	AA97-03655A	ASSY AUTO-MAIN;PCJ522R3C/XAA,P51A,U.S.A,S	S.N.A
.....6	RZ176	2001-000221	R-CARBON;1.2KOHM,5%,1/8W,AA,TP,1.8X3.2MM	6	D701	0401-000005	DIODE-SWITCHING;1N4148,75V,150mA,DO-35,T	
.....6	RZ178	2001-000221	R-CARBON;1.2KOHM,5%,1/8W,AA,TP,1.8X3.2MM	6	D702	0401-000005	DIODE-SWITCHING;1N4148,75V,150mA,DO-35,T	
.....6	RZ172	2001-000241	R-CARBON;1.5KOHM,5%,1/8W,AA,TP,1.8X3.2MM	6	D703	0401-000005	DIODE-SWITCHING;1N4148,75V,150mA,DO-35,T	
.....6	RZ175	2001-000241	R-CARBON;1.5KOHM,5%,1/8W,AA,TP,1.8X3.2MM	6	D901	0401-000005	DIODE-SWITCHING;1N4148,75V,150mA,DO-35,T	
.....6	RZ166	2001-000258	R-CARBON;1.8KOHM,5%,1/8W,AA,TP,1.8X3.2MM	6	D902	0401-000005	DIODE-SWITCHING;1N4148,75V,150mA,DO-35,T	
.....6	RZ167	2001-000258	R-CARBON;1.8KOHM,5%,1/8W,AA,TP,1.8X3.2MM	6	D905	0401-000005	DIODE-SWITCHING;1N4148,75V,150mA,DO-35,T	
.....6	RZ165	2001-000331	R-CARBON;12KOHM,5%,1/8W,AA,TP,1.8X3.2MM	6	D669	0401-000005	DIODE-SWITCHING;1N4148,75V,150mA,DO-35,T	
.....6	RZ177	2001-000331	R-CARBON;12KOHM,5%,1/8W,AA,TP,1.8X3.2MM	6	D501	0401-000005	DIODE-SWITCHING;1N4148,75V,150mA,DO-35,T	
.....6	RZ167A	2001-000554	R-CARBON;270OHM,5%,1/8W,AA,TP,1.8X3.2MM	6	D502	0401-000005	DIODE-SWITCHING;1N4148,75V,150mA,DO-35,T	
.....6	RZ170	2001-000666	R-CARBON;330OHM,5%,1/8W,AA,TP,1.8X3.2MM	6	D665	0401-000005	DIODE-SWITCHING;1N4148,75V,150mA,DO-35,T	
.....6	RZ171	2001-000666	R-CARBON;330OHM,5%,1/8W,AA,TP,1.8X3.2MM	6	D666	0401-000005	DIODE-SWITCHING;1N4148,75V,150mA,DO-35,T	
.....6	RZ180	2001-001100	R-CARBON(S);2.7OHM,5%,1/2W,AA,TP,2.4X6.4	6	D667	0401-000005	DIODE-SWITCHING;1N4148,75V,150mA,DO-35,T	
.....6	RZ181	2001-001100	R-CARBON(S);2.7OHM,5%,1/2W,AA,TP,2.4X6.4	6	D668	0401-000005	DIODE-SWITCHING;1N4148,75V,150mA,DO-35,T	
.....6	RZ173	2001-001139	R-CARBON(S);39KOHM,5%,1/2W,AA,TP,2.4X6.4	6	D672	0402-000132	DIODE-RECTIFIER;1N4004,400V,1A,DO-41,TP	
.....6	RZ174	2001-001139	R-CARBON(S);39KOHM,5%,1/2W,AA,TP,2.4X6.4	6	D671	0402-000132	DIODE-RECTIFIER;1N4004,400V,1A,DO-41,TP	
.....6	RZ156	2001-001159	R-CARBON(S);510OHM,5%,1/2W,AA,TP,2.4X6.4	6	DS805	0402-000534	DIODE-RECTIFIER;RG10V,400V,1.2A,DO-201,T	
.....6	RZ154	2003-000532	R-METAL OXIDE(S);18ohm,5%,2W,AF,TP,4x12mm	6	DS807	0402-000546	DIODE-RECTIFIER;TVR10G,400V,1.0A,DO-41,T	
.....6	RZ179	2003-000713	R-METAL OXIDE(S);47ohm,5%,2W,AF,TP,4x12mm	6	D664	0402-000546	DIODE-RECTIFIER;TVR10G,400V,1.0A,DO-41,T	
.....6	RZ182	2003-000713	R-METAL OXIDE(S);47ohm,5%,2W,AF,TP,4x12mm	6	DZ913	0403-000508	DIODE-ZENER;MTZJ5.6B,5.45-5.73V,500MW,DO	
.....6	RZ168	2003-002157	R-METAL OXIDE;220OHM,5%,2W,AG,TP,6X16MM	6	DZ912	0403-000508	DIODE-ZENER;MTZJ5.6B,5.45-5.73V,500MW,DO	
.....6	RZ183	2003-002157	R-METAL OXIDE;220OHM,5%,2W,AG,TP,6X16MM	6	DZ911	0403-000508	DIODE-ZENER;MTZJ5.6B,5.45-5.73V,500MW,DO	
.....6	RZ183A	2003-002157	R-METAL OXIDE;220OHM,5%,2W,AG,TP,6X16MM	6	DZ506	0403-000508	DIODE-ZENER;MTZJ5.6B,5.45-5.73V,500MW,DO	
.....6	RZ153	2008-001086	R-FUSIBLE(S);3.3ohm,5%,2W,AG,TP,3.9x12mm	6	D903	0403-000508	DIODE-ZENER;MTZJ5.6B,5.45-5.73V,500MW,DO	
.....6	CZ147	2201-000193	C-CERAMIC,DISC;0.01nF,0.25pF,50V,C0G,-,4	6	DZ917	0403-000510	DIODE-ZENER;MTZJ6.2B,5.96-6.27V,500mW,DO	
.....6	CZ148	2201-000193	C-CERAMIC,DISC;0.01nF,0.25pF,50V,C0G,-,4	6	DZ916	0403-000510	DIODE-ZENER;MTZJ6.2B,5.96-6.27V,500mW,DO	
.....6	CZ149	2201-000516	C-CERAMIC,DISC;4.7nF,+100-0%,500V,Y5U,-,	6	DZ907	0403-000510	DIODE-ZENER;MTZJ6.2B,5.96-6.27V,500mW,DO	

Level	Loc.No.	Code No.	Description;Specification	Remark	Level	Loc.No.	Code No.	Description;Specification	Remark
.....6	DZ918	0403-000510	DIODE-ZENER;MTZJ6.2B,5.96-6.27V,500mW,DO	6	R946	2001-000290	R-CARBON;10KOHM,5%,1/8W,AA,TP,1.8X3.2MM	
.....6	DZ919	0403-000510	DIODE-ZENER;MTZJ6.2B,5.96-6.27V,500mW,DO	6	R947	2001-000290	R-CARBON;10KOHM,5%,1/8W,AA,TP,1.8X3.2MM	
.....6	DZ920	0403-000510	DIODE-ZENER;MTZJ6.2B,5.96-6.27V,500mW,DO	6	R978	2001-000290	R-CARBON;10KOHM,5%,1/8W,AA,TP,1.8X3.2MM	
.....6	DZ906	0403-000510	DIODE-ZENER;MTZJ6.2B,5.96-6.27V,500mW,DO	6	R904	2001-000290	R-CARBON;10KOHM,5%,1/8W,AA,TP,1.8X3.2MM	
.....6	DZ507	0403-000510	DIODE-ZENER;MTZJ6.2B,5.96-6.27V,500mW,DO	6	R677	2001-000290	R-CARBON;10KOHM,5%,1/8W,AA,TP,1.8X3.2MM	
.....6	DZ508	0403-000510	DIODE-ZENER;MTZJ6.2B,5.96-6.27V,500mW,DO	6	R702	2001-000290	R-CARBON;10KOHM,5%,1/8W,AA,TP,1.8X3.2MM	
.....6	DZ510	0403-000510	DIODE-ZENER;MTZJ6.2B,5.96-6.27V,500mW,DO	6	R703	2001-000290	R-CARBON;10KOHM,5%,1/8W,AA,TP,1.8X3.2MM	
.....6	DZ905	0403-000510	DIODE-ZENER;MTZJ6.2B,5.96-6.27V,500mW,DO	6	R704	2001-000290	R-CARBON;10KOHM,5%,1/8W,AA,TP,1.8X3.2MM	
.....6	DZ904	0403-000510	DIODE-ZENER;MTZJ6.2B,5.96-6.27V,500mW,DO	6	R919	2001-000411	R-CARBON;18KOHM,5%,1/8W,AA,TP,1.8X3.2MM	
.....6	DZ903	0403-000510	DIODE-ZENER;MTZJ6.2B,5.96-6.27V,500mW,DO	6	R627	2001-000411	R-CARBON;18KOHM,5%,1/8W,AA,TP,1.8X3.2MM	
.....6	DZ801	0403-000700	DIODE-ZENER;TZP33A,5%,1000MW,DO-41,TP	6	R626	2001-000411	R-CARBON;18KOHM,5%,1/8W,AA,TP,1.8X3.2MM	
.....6	DZ505	0403-000720	DIODE-ZENER;MTZJ9.1B,8.57-9.01V,500mW,DO	6	R945	2001-000429	R-CARBON;1KOHM,5%,1/8W,AA,TP,1.8X3.2MM	
.....6	DZ504	0403-000720	DIODE-ZENER;MTZJ9.1B,8.57-9.01V,500mW,DO	6	R948	2001-000429	R-CARBON;1KOHM,5%,1/8W,AA,TP,1.8X3.2MM	
.....6	DZ503	0403-000720	DIODE-ZENER;MTZJ9.1B,8.57-9.01V,500mW,DO	6	R950	2001-000429	R-CARBON;1KOHM,5%,1/8W,AA,TP,1.8X3.2MM	
.....6	DZ665	0403-001039	DIODE-ZENER;MA2560,52-60V,1000mW,DO-41,T	6	R967	2001-000429	R-CARBON;1KOHM,5%,1/8W,AA,TP,1.8X3.2MM	
.....6	DZ701	0403-001140	DIODE-ZENER;RD10ESAB-T4,9.7-10.2V,400MW,	6	R968	2001-000429	R-CARBON;1KOHM,5%,1/8W,AA,TP,1.8X3.2MM	
.....6	D904	0403-001317	DIODE-ZENER;MTZJ3.0B,3.01-3.22V,500MW,DO	6	R970	2001-000429	R-CARBON;1KOHM,5%,1/8W,AA,TP,1.8X3.2MM	
.....6	DS804	0403-001318	DIODE-ZENER;MTZJ4.3B,4.17-4.43V,500MW,DO	6	R976	2001-000429	R-CARBON;1KOHM,5%,1/8W,AA,TP,1.8X3.2MM	
.....6	DZ667	0403-001319	DIODE-ZENER;MTZJ4.7C,4.68-4.93V,500MW,DO	6	R929	2001-000429	R-CARBON;1KOHM,5%,1/8W,AA,TP,1.8X3.2MM	
.....6	DS803	0403-001322	DIODE-ZENER;MTZJ8.2B,7.78-8.19V,500MW,DO	6	R123	2001-000429	R-CARBON;1KOHM,5%,1/8W,AA,TP,1.8X3.2MM	
.....6	DZ666	0403-001325	DIODE-ZENER;MTZJ15C,14.42-15.02V,500MW,D	6	R515	2001-000429	R-CARBON;1KOHM,5%,1/8W,AA,TP,1.8X3.2MM	
.....6	Q909	0501-000283	TR-SMALL SIGNAL;KSA539,P,NP,400mW,TO-92,T	6	R516	2001-000429	R-CARBON;1KOHM,5%,1/8W,AA,TP,1.8X3.2MM	
.....6	QS801	0501-000369	TR-SMALL SIGNAL;KSC2331-Y,NPN,1000mW,TO-	6	R528	2001-000429	R-CARBON;1KOHM,5%,1/8W,AA,TP,1.8X3.2MM	
.....6	Q701	0501-000389	TR-SMALL SIGNAL;KSC815,NPN,400mW,TO-92,T	6	R903	2001-000429	R-CARBON;1KOHM,5%,1/8W,AA,TP,1.8X3.2MM	
.....6	Q702	0501-000389	TR-SMALL SIGNAL;KSC815,NPN,400mW,TO-92,T	6	R906	2001-000429	R-CARBON;1KOHM,5%,1/8W,AA,TP,1.8X3.2MM	
.....6	Q901	0501-000389	TR-SMALL SIGNAL;KSC815,NPN,400mW,TO-92,T	6	R907	2001-000429	R-CARBON;1KOHM,5%,1/8W,AA,TP,1.8X3.2MM	
.....6	Q902	0501-000389	TR-SMALL SIGNAL;KSC815,NPN,400mW,TO-92,T	6	R133	2001-000449	R-CARBON;2.2KOHM,5%,1/8W,AA,TP,1.8X3.2MM	
.....6	Q910	0501-000389	TR-SMALL SIGNAL;KSC815,NPN,400mW,TO-92,T	6	R916	2001-000472	R-CARBON;2.7KOHM,5%,1/8W,AA,TP,1.8X3.2MM	
.....6	Q667	0501-000389	TR-SMALL SIGNAL;KSC815,NPN,400mW,TO-92,T	6	R917	2001-000472	R-CARBON;2.7KOHM,5%,1/8W,AA,TP,1.8X3.2MM	
.....6	Q501	0501-000389	TR-SMALL SIGNAL;KSC815,NPN,400mW,TO-92,T	6	R928	2001-000472	R-CARBON;2.7KOHM,5%,1/8W,AA,TP,1.8X3.2MM	
.....6	Q502	0501-000389	TR-SMALL SIGNAL;KSC815,NPN,400mW,TO-92,T	6	R910	2001-000515	R-CARBON;220OHM,5%,1/8W,AA,TP,1.8X3.2MM	
.....6	Q503	0501-000389	TR-SMALL SIGNAL;KSC815,NPN,400mW,TO-92,T	6	R909	2001-000515	R-CARBON;220OHM,5%,1/8W,AA,TP,1.8X3.2MM	
.....6	Q665	0501-000389	TR-SMALL SIGNAL;KSC815,NPN,400mW,TO-92,T	6	R908	2001-000515	R-CARBON;220OHM,5%,1/8W,AA,TP,1.8X3.2MM	
.....6	Q666	0501-000389	TR-SMALL SIGNAL;KSC815,NPN,400mW,TO-92,T	6	R983	2001-000577	R-CARBON;2KOHM,5%,1/8W,AA,TP,1.8X3.2MM	
.....6	T0087	1203-000293	IC-POSI.FIXED REG.:7808,TO-220,3P,-,PLAS	6	R982	2001-000577	R-CARBON;2KOHM,5%,1/8W,AA,TP,1.8X3.2MM	
.....6	IC904	1203-000515	IC-VOL. DETECTOR;7042,TO-92,3P,177MIL,PL	6	R981	2001-000577	R-CARBON;2KOHM,5%,1/8W,AA,TP,1.8X3.2MM	
.....6	IC903	1203-001274	IC-VOL. DETECTOR;7545,TO-92,3P,-,PLASTIC	6	R963	2001-000591	R-CARBON;3.3KOHM,5%,1/8W,AA,TP,1.8X3.2MM	
.....6	DS802	1405-000152	VARIATOR;560V,2500A,14x8.5mm,TP	6	R951	2001-000591	R-CARBON;3.3KOHM,5%,1/8W,AA,TP,1.8X3.2MM	
.....6	DS808	1405-000152	VARIATOR;560V,2500A,14x8.5mm,TP	6	R949	2001-000591	R-CARBON;3.3KOHM,5%,1/8W,AA,TP,1.8X3.2MM	
.....6	DS810	1405-000152	VARIATOR;560V,2500A,14x8.5mm,TP	6	R932	2001-000734	R-CARBON;4.7KOHM,5%,1/8W,AA,TP,1.8X3.2MM	
.....6	DS806	1405-001030	VARIATOR;120V,2500A,14x8.5mm,TP	6	R953	2001-000734	R-CARBON;4.7KOHM,5%,1/8W,AA,TP,1.8X3.2MM	
.....6	R512	2001-000003	R-CARBON;330ohm,5%,1/8W,AA,TP,1.8X3.2mm	6	R955	2001-000734	R-CARBON;4.7KOHM,5%,1/8W,AA,TP,1.8X3.2MM	
.....6	R912	2001-000003	R-CARBON;330ohm,5%,1/8W,AA,TP,1.8X3.2mm	6	R961	2001-000734	R-CARBON;4.7KOHM,5%,1/8W,AA,TP,1.8X3.2MM	
.....6	R678	2001-000008	R-CARBON;15KOHM,5%,1/8W,AA,TP,1.8X3.2MM	6	R964	2001-000734	R-CARBON;4.7KOHM,5%,1/8W,AA,TP,1.8X3.2MM	
.....6	R666	2001-000052	R-CARBON(S);3.3KOHM,5%,1/2W,AA,TP,2.4X6.	6	R965	2001-000734	R-CARBON;4.7KOHM,5%,1/8W,AA,TP,1.8X3.2MM	
.....6	R665	2001-000052	R-CARBON(S);3.3KOHM,5%,1/2W,AA,TP,2.4X6.	6	R134	2001-000734	R-CARBON;4.7KOHM,5%,1/8W,AA,TP,1.8X3.2MM	
.....6	R675	2001-000066	R-CARBON(S);10KOHM,5%,1/2W,AA,TP,2.4X6.4	6	R901	2001-000734	R-CARBON;4.7KOHM,5%,1/8W,AA,TP,1.8X3.2MM	
.....6	R672	2001-000066	R-CARBON(S);10KOHM,5%,1/2W,AA,TP,2.4X6.4	6	R905	2001-000734	R-CARBON;4.7KOHM,5%,1/8W,AA,TP,1.8X3.2MM	
.....6	R671	2001-000066	R-CARBON(S);10KOHM,5%,1/2W,AA,TP,2.4X6.4	6	R931	2001-000734	R-CARBON;4.7KOHM,5%,1/8W,AA,TP,1.8X3.2MM	
.....6	R501	2001-000066	R-CARBON(S);10KOHM,5%,1/2W,AA,TP,2.4X6.4	6	R930	2001-000734	R-CARBON;4.7KOHM,5%,1/8W,AA,TP,1.8X3.2MM	
.....6	R670	2001-000085	R-CARBON(S);100KOHM,5%,1/2W,AA,TP,2.4X6.	6	R918	2001-000734	R-CARBON;4.7KOHM,5%,1/8W,AA,TP,1.8X3.2MM	
.....6	R941	2001-000281	R-CARBON;100OHM,5%,1/8W,AA,TP,1.8X3.2MM	6	R531	2001-000739	R-CARBON;4.7MOHM,5%,1/8W,AA,TP,1.8X3.2MM	
.....6	R936	2001-000281	R-CARBON;100OHM,5%,1/8W,AA,TP,1.8X3.2MM	6	R524	2001-000739	R-CARBON;4.7MOHM,5%,1/8W,AA,TP,1.8X3.2MM	
.....6	R935	2001-000281	R-CARBON;100OHM,5%,1/8W,AA,TP,1.8X3.2MM	6	R132	2001-000739	R-CARBON;4.7MOHM,5%,1/8W,AA,TP,1.8X3.2MM	
.....6	R934	2001-000281	R-CARBON;100OHM,5%,1/8W,AA,TP,1.8X3.2MM	6	R131	2001-000739	R-CARBON;4.7MOHM,5%,1/8W,AA,TP,1.8X3.2MM	
.....6	R915	2001-000281	R-CARBON;100OHM,5%,1/8W,AA,TP,1.8X3.2MM	6	R920	2001-000780	R-CARBON;470OHM,5%,1/8W,AA,TP,1.8X3.2MM	
.....6	R914	2001-000281	R-CARBON;100OHM,5%,1/8W,AA,TP,1.8X3.2MM	6	R674	2001-000780	R-CARBON;470OHM,5%,1/8W,AA,TP,1.8X3.2MM	
.....6	R960	2001-000281	R-CARBON;100OHM,5%,1/8W,AA,TP,1.8X3.2MM	6	R668	2001-000780	R-CARBON;470OHM,5%,1/8W,AA,TP,1.8X3.2MM	
.....6	R959	2001-000281	R-CARBON;100OHM,5%,1/8W,AA,TP,1.8X3.2MM	6	R924	2001-000786	R-CARBON;47KOHM,5%,1/8W,AA,TP,1.8X3.2MM	
.....6	R958	2001-000281	R-CARBON;100OHM,5%,1/8W,AA,TP,1.8X3.2MM	6	R923	2001-000786	R-CARBON;47KOHM,5%,1/8W,AA,TP,1.8X3.2MM	
.....6	R954	2001-000281	R-CARBON;100OHM,5%,1/8W,AA,TP,1.8X3.2MM	6	R913	2001-000786	R-CARBON;47KOHM,5%,1/8W,AA,TP,1.8X3.2MM	
.....6	R952	2001-000281	R-CARBON;100OHM,5%,1/8W,AA,TP,1.8X3.2MM	6	R701	2001-000786	R-CARBON;47KOHM,5%,1/8W,AA,TP,1.8X3.2MM	
.....6	R942	2001-000281	R-CARBON;100OHM,5%,1/8W,AA,TP,1.8X3.2MM	6	R971	2001-000812	R-CARBON;5.6KOHM,5%,1/8W,AA,TP,1.8X3.2MM	
.....6	R513	2001-000281	R-CARBON;100OHM,5%,1/8W,AA,TP,1.8X3.2MM	6	R922	2001-000812	R-CARBON;5.6KOHM,5%,1/8W,AA,TP,1.8X3.2MM	
.....6	R143	2001-000281	R-CARBON;100OHM,5%,1/8W,AA,TP,1.8X3.2MM	6	R921	2001-000812	R-CARBON;5.6KOHM,5%,1/8W,AA,TP,1.8X3.2MM	
.....6	R130	2001-000281	R-CARBON;100OHM,5%,1/8W,AA,TP,1.8X3.2MM	6	R676	2001-000812	R-CARBON;5.6KOHM,5%,1/8W,AA,TP,1.8X3.2MM	
.....6	R129	2001-000281	R-CARBON;100OHM,5%,1/8W,AA,TP,1.8X3.2MM	6	R962	2001-000864	R-CARBON;56KOHM,5%,1/8W,AA,TP,1.8X3.2MM	
.....6	R128	2001-000281	R-CARBON;100OHM,5%,1/8W,AA,TP,1.8X3.2MM	6	R944	2001-000890	R-CARBON;6.8KOHM,5%,1/8W,AA,TP,1.8X3.2MM	
.....6	R126	2001-000281	R-CARBON;100OHM,5%,1/8W,AA,TP,1.8X3.2MM	6	R943	2001-000890	R-CARBON;6.8KOHM,5%,1/8W,AA,TP,1.8X3.2MM	
.....6	R125	2001-000281	R-CARBON;100OHM,5%,1/8W,AA,TP,1.8X3.2MM	6	R680	2001-001000	R-CARBON;82KOHM,5%,1/8W,AA,TP,1.8X3.2MM	
.....6	R508	2001-000281	R-CARBON;100OHM,5%,1/8W,AA,TP,1.8X3.2MM	6	R927	2001-001050	R-CARBON(S);1.5KOHM,5%,1/2W,AA,TP,2.4X6.	
.....6	R505	2001-000281	R-CARBON;100OHM,5%,1/8W,AA,TP,1.8X3.2MM	6	R926	2001-001050	R-CARBON(S);1.5KOHM,5%,1/2W,AA,TP,2.4X6.	
.....6	R504	2001-000281	R-CARBON;100OHM,5%,1/8W,AA,TP,1.8X3.2MM	6	R925	2001-001050	R-CARBON(S);1.5KOHM,5%,1/2W,AA,TP,2.4X6.	
.....6	R144	2001-000281	R-CARBON;100OHM,5%,1/8W,AA,TP,1.8X3.2MM	6	R977	2001-001062	R-CARBON(S);10MOHM,5%,1/2W,AA,TP,2.4X6.4	
.....6	R502	2001-000281	R-CARBON;100OHM,5%,1/8W,AA,TP,1.8X3.2MM	6	R679	2001-001071	R-CARBON(S);12KOHM,5%,1/2W,AA,TP,2.4X6.4	
.....6	R503	2001-000281	R-CARBON;100OHM,5%,1/8W,AA,TP,1.8X3.2MM	6	R673	2001-001086	R-CARBON(S);18KOHM,5%,1/2W,AA,TP,2.4X6.4	
.....6	R933	2001-000290	R-CARBON;10KOHM,5%,1/8W,AA,TP,1.8X3.2MM	6	R974	2001-001088	R-CARBON(S);1KOHM,5%,1/2W,AA,TP,2.4X6.4MM	

Electrical Part List

Level	Loc.No.	Code No.	Description;Specification	Remark	Level	Loc.No.	Code No.	Description;Specification	Remark
.....6	RS801	2001-001093	R-CARBON(S);2.2KOHM,5%,1/2W,AA,TP,2.4X6.	6	C132	2305-000665	C-FILM,LEAD-PEF;100nF,5%,63V,TP,7.5x4.0x	
.....6	RS805	2001-001107	R-CARBON(S);220ohm,5%,1/2W,AA,TP,2.4x6.4	6	C501	2305-000665	C-FILM,LEAD-PEF;100nF,5%,63V,TP,7.5x4.0x	
.....6	R673A	2001-001144	R-CARBON(S);4.7KOHM,5%,1/2W,AA,TP,2.4X6.	6	C503	2305-000665	C-FILM,LEAD-PEF;100nF,5%,63V,TP,7.5x4.0x	
.....6	R669	2001-001144	R-CARBON(S);4.7KOHM,5%,1/2W,AA,TP,2.4X6.	6	C514	2305-000665	C-FILM,LEAD-PEF;100nF,5%,63V,TP,7.5x4.0x	
.....6	R689	2001-001146	R-CARBON(S);4.7OHM,5%,1/2W,AA,TP,2.4X6.4	6	C518	2305-000665	C-FILM,LEAD-PEF;100nF,5%,63V,TP,7.5x4.0x	
.....6	R687	2001-001146	R-CARBON(S);4.7OHM,5%,1/2W,AA,TP,2.4X6.4	6	C701	2401-002075	C-AL;4.7uF,20%,50V,GP,TP,5x11.5	
.....6	RS803	2001-001159	R-CARBON(S);510OHM,5%,1/2W,AA,TP,2.4X6.4	6	C688	2401-000192	C-AL;1000uF,20%,50V,GP,TP,16x25,7.5	
.....6	RS806	2001-001159	R-CARBON(S);510OHM,5%,1/2W,AA,TP,2.4X6.4	6	C691	2401-000192	C-AL;1000uF,20%,50V,GP,TP,16x25,7.5	
.....6	RS804	2001-001182	R-CARBON(S);7.5KOHM,5%,1/2W,AA,TP,2.4X6.	6	C672	2401-000360	C-AL;100uF,20%,50V,GP,TP,8x11.5.5	
.....6	RS807	2001-001192	R-CARBON(S);820OHM,5%,1/2W,AA,TP,2.4X6.4	6	C551	2401-000360	C-AL;100uF,20%,50V,GP,TP,8x11.5.5	
.....6	R801	2003-002161	R-METAL OXIDE(S);22KOHM,5%,3W,AG,TP,6X16	6	C926	2401-000480	C-AL;10uF,20%,50V,GP,TP,5x11.5	
.....6	R686	2004-001390	R-METAL(S);1Kohm,2%,1/2W,AA,TP,2.4x6.4mm	6	C919	2401-000480	C-AL;10uF,20%,50V,GP,TP,5x11.5	
.....6	R685	2004-001390	R-METAL(S);1Kohm,2%,1/2W,AA,TP,2.4x6.4mm	6	C670	2401-000603	C-AL;1uF,20%,50V,GP,TP,5X11,2	
.....6	R684	2004-001970	R-METAL(S);1.8Kohm,1%,1/2W,AA,TP,6.5x2.5	6	C668	2401-000603	C-AL;1uF,20%,50V,GP,TP,5X11,2	
.....6	R681	2004-001970	R-METAL(S);1.8Kohm,1%,1/2W,AA,TP,6.5x2.5	6	C667	2401-000603	C-AL;1uF,20%,50V,GP,TP,5X11,2	
.....6	R662	2004-001970	R-METAL(S);1.8Kohm,1%,1/2W,AA,TP,6.5x2.5	6	C180	2401-000603	C-AL;1uF,20%,50V,GP,TP,5X11,2	
.....6	R661	2004-001970	R-METAL(S);1.8Kohm,1%,1/2W,AA,TP,6.5x2.5	6	C125	2401-000603	C-AL;1uF,20%,50V,GP,TP,5X11,2	
.....6	R683	2004-002019	R-METAL(S);33Kohm,1%,1/2W,AA,TP,2.5x6.5m	6	C116	2401-000603	C-AL;1uF,20%,50V,GP,TP,5X11,2	
.....6	R682	2004-002019	R-METAL(S);33Kohm,1%,1/2W,AA,TP,2.5x6.5m	6	C504	2401-000832	C-AL;220uF,20%,25V,GP,TP,8x11.5.5	
.....6	R510	2008-000266	R-FUSIBLE(S);1ohm,5%,2W,AF,TP,3.9x10mm	6	C669	2401-000962	C-AL;22uF,20%,50V,GP,TP,8x11.5.5	
.....6	R121	2008-000266	R-FUSIBLE(S);1ohm,5%,2W,AF,TP,3.9x10mm	6	CS805	2401-001101	C-AL;330uF,20%,16V,GP,TP,8x11.5.5	
.....6	RF802	2008-000294	R-FUSIBLE(S);33ohm,5%,2W,AF,TP,3.9x10mm	6	C676	2401-001192	C-AL;33uF,20%,50V,GP,TP,6.3x11.5	
.....6	C918	2201-000119	C-CERAMIC,DISC;100NF,+80-20%,50V,Y5V,TP,	6	C502	2401-001397	C-AL;470uF,20%,50V,GP,TP,10x16,5	
.....6	C915	2201-000119	C-CERAMIC,DISC;100NF,+80-20%,50V,Y5V,TP,	6	C905	2401-001496	C-AL;47uF,20%,16V,GP,TP,5x7,5	
.....6	C640	2201-000119	C-CERAMIC,DISC;100NF,+80-20%,50V,Y5V,TP,	6	C671	2401-001537	C-AL;47uF,20%,25V,GP,TP,6.3x7mm,5mm	
.....6	C920	2201-000119	C-CERAMIC,DISC;100NF,+80-20%,50V,Y5V,TP,	6	C539	2401-000025	C-AL;100uF,20%,16V,GP,TP,6.3x11.5	
.....6	C925	2201-000119	C-CERAMIC,DISC;100NF,+80-20%,50V,Y5V,TP,	6	C538	2401-000025	C-AL;100uF,20%,16V,GP,TP,6.3x11.5	
.....6	CS804	2201-000119	C-CERAMIC,DISC;100NF,+80-20%,50V,Y5V,TP,	6	C639	2401-002009	C-AL;100uF,20%,16V,GP,TP,6.3x7,5	
.....6	CS807	2201-000119	C-CERAMIC,DISC;100NF,+80-20%,50V,Y5V,TP,	6	C113	2401-002009	C-AL;100uF,20%,16V,GP,TP,6.3x7,5	
.....6	C552	2201-000119	C-CERAMIC,DISC;100NF,+80-20%,50V,Y5V,TP,	6	C916	2401-002042	C-AL;220uF,20%,10V,GP,TP,6.3x11.5	
.....6	C103	2201-000119	C-CERAMIC,DISC;100NF,+80-20%,50V,Y5V,TP,	6	C917	2401-002144	C-AL;47uF,20%,16V,GP,TP,5x11.5	
.....6	C109	2201-000119	C-CERAMIC,DISC;100NF,+80-20%,50V,Y5V,TP,	6	C544	2401-002144	C-AL;47uF,20%,16V,GP,TP,5x11.5	
.....6	C114	2201-000119	C-CERAMIC,DISC;100NF,+80-20%,50V,Y5V,TP,	6	C522	2401-002286	C-AL;470uF,20%,16V,WT,TP,10x12.5,5	
.....6	C126	2201-000119	C-CERAMIC,DISC;100NF,+80-20%,50V,Y5V,TP,	6	C801	2401-002300	C-AL;47uF,20%,50V,GP,TP,6.3x11.5	
.....6	C550	2201-000119	C-CERAMIC,DISC;100NF,+80-20%,50V,Y5V,TP,	6	CS808	2401-002463	C-AL;470uF,20%,16V,GP,TP,8x11.5.5	
.....6	C193	2201-000119	C-CERAMIC,DISC;100NF,+80-20%,50V,Y5V,TP,	6	C185	2401-002463	C-AL;470uF,20%,16V,GP,TP,8x11.5.5	
.....6	C130	2201-000119	C-CERAMIC,DISC;100NF,+80-20%,50V,Y5V,TP,	6	C133	2401-002463	C-AL;470uF,20%,16V,GP,TP,8x11.5.5	
.....6	C543	2201-000132	C-CERAMIC,DISC;0.1NF,10%,500V,Y5P,TP,6.5	6	C110	2401-002463	C-AL;470uF,20%,16V,GP,TP,8x11.5.5	
.....6	C129	2201-000132	C-CERAMIC,DISC;0.1NF,10%,500V,Y5P,TP,6.5	6	C104	2401-002463	C-AL;470uF,20%,16V,GP,TP,8x11.5.5	
.....6	C112	2201-000132	C-CERAMIC,DISC;0.1NF,10%,500V,Y5P,TP,6.5	6	C549	2401-002594	C-AL;220uF,20%,16V,GP,TP,8x11.5.5	
.....6	C108	2201-000132	C-CERAMIC,DISC;0.1NF,10%,500V,Y5P,TP,6.5	6	C520	2401-002594	C-AL;220uF,20%,16V,GP,TP,8x11.5.5	
.....6	C106	2201-000132	C-CERAMIC,DISC;0.1NF,10%,500V,Y5P,TP,6.5	6	C517	2401-002594	C-AL;220uF,20%,16V,GP,TP,8x11.5.5	
.....6	C102	2201-000132	C-CERAMIC,DISC;0.1NF,10%,500V,Y5P,TP,6.5	6	C513	2401-002594	C-AL;220uF,20%,16V,GP,TP,8x11.5.5	
.....6	C101	2201-000132	C-CERAMIC,DISC;0.1NF,10%,500V,Y5P,TP,6.5	6	C195	2401-002619	C-AL;47uF,20%,25V,GP,TP,5x11.5	
.....6	C118	2201-000180	C-CERAMIC,DISC;10NF,10%,50V,Y5V,TP,7X3MM	6	C191	2401-002619	C-AL;47uF,20%,25V,GP,TP,5x11.5	
.....6	C913	2201-000193	C-CERAMIC,DISC;0.01nF,0.25pF,50V,C0G,-,4	6	C105	2401-002619	C-AL;47uF,20%,25V,GP,TP,5x11.5	
.....6	C910	2201-000017	C-CERAMIC,DISC;1nF,10%,50V,Y5P,-,5x3.5mm	6	CS803	2401-003066	C-AL;10uF,20%,450V,GP,TP,13x20mm,5m	
.....6	C909	2201-000017	C-CERAMIC,DISC;1nF,10%,50V,Y5P,-,5x3.5mm	6	L103	2701-000115	INDUCTOR-AXIAL;10UH,10%,3070	
.....6	C908	2201-000017	C-CERAMIC,DISC;1nF,10%,50V,Y5P,-,5x3.5mm	6	L104	2701-000115	INDUCTOR-AXIAL;10UH,10%,3070	
.....6	C901	2201-000017	C-CERAMIC,DISC;1nF,10%,50V,Y5P,-,5x3.5mm	6	L108	2701-000115	INDUCTOR-AXIAL;10UH,10%,3070	
.....6	CS802	2201-000332	C-CERAMIC,DISC;2.2nF,20%,250V,Y5U,-,9x4m	6	L902	2701-000115	INDUCTOR-AXIAL;10UH,10%,3070	
.....6	CS801	2201-000332	C-CERAMIC,DISC;2.2nF,20%,250V,Y5U,-,9x4m	6	J244	2701-000115	INDUCTOR-AXIAL;10UH,10%,3070	
.....6	CS809	2201-000556	C-CERAMIC,DISC;0.47NF,10%,500V,Y5P,TP,5.	6	J285	2701-000115	INDUCTOR-AXIAL;10UH,10%,3070	
.....6	C914	2201-000573	C-CERAMIC,DISC;0.047NF,5%,50V,COG,TP,5X3	6	J317	2701-000115	INDUCTOR-AXIAL;10UH,10%,3070	
.....6	C547	2201-000573	C-CERAMIC,DISC;0.047NF,5%,50V,COG,TP,5X3	6	L102	2701-000115	INDUCTOR-AXIAL;10UH,10%,3070	
.....6	C545	2201-000573	C-CERAMIC,DISC;0.047NF,5%,50V,COG,TP,5X3	6	L502	2701-000116	INDUCTOR-AXIAL;10UH,10%,4298	
.....6	CS812	2201-002076	C-CERAMIC,DISC;0.068nF,5%,1KV,SL,TP,8x4mm	6	L107	2701-000116	INDUCTOR-AXIAL;10UH,10%,4298	
.....6	DZ901	2202-000121	C-CERAMIC,MLC-AXIAL;0.1nF,10%,50V,Y5P,-,	6	L903	2701-001040	INDUCTOR-AXIAL;10UH,10%,4514	
.....6	DZ902	2202-000121	C-CERAMIC,MLC-AXIAL;0.1nF,10%,50V,Y5P,-,	6	L516	2701-001040	INDUCTOR-AXIAL;10UH,10%,4514	
.....6	C904	2202-000632	C-CERAMIC,MLC-AXIAL;100nF,20%,50V,Z5U,TP	6	L509	2701-001040	INDUCTOR-AXIAL;10UH,10%,4514	
.....6	C907	2301-000111	C-FILM,LEAD-PEF;1.8nF,5%,50V,TP,6.5x3.0x	6	L106	2701-001040	INDUCTOR-AXIAL;10UH,10%,4514	
.....6	C687	2301-000192	C-FILM,LEAD-PEF;1nF,5%,50V,TP,5.3x10mm,5	6	L101	2701-001040	INDUCTOR-AXIAL;10UH,10%,4514	
.....6	C686	2301-000192	C-FILM,LEAD-PEF;1nF,5%,50V,TP,5.3x10mm,5	6	F101	2901-000297	FILTER-EMI ON BOARD;-3A,-,-3.5x5,TP,-	
.....6	C117	2301-000310	C-FILM,LEAD-PEF;68nF,5%,50V,TP,8.0X8.5X4	6	F101	2901-000297	FILTER-EMI ON BOARD;-3A,-,-3.5x5,TP,-	
.....6	C906	2305-000149	C-FILM,LEAD-PEF;100nF,5%,100V,TP,12x12.5	6	F101	2901-000297	FILTER-EMI ON BOARD;-3A,-,-3.5x5,TP,-	
.....6	C666	2305-000665	C-FILM,LEAD-PEF;100nF,5%,63V,TP,7.5x4.0x	6	L2514	3301-000287	BEAD-AXIAL;3.5x1.0x6.0mm,3000mA,TP,,,50	S.N.A
.....6	C540	2305-000665	C-FILM,LEAD-PEF;100nF,5%,63V,TP,7.5x4.0x	6	L2514	3301-000287	BEAD-AXIAL;3.5x1.0x6.0mm,3000mA,TP,,,50	S.N.A
.....6	C537	2305-000665	C-FILM,LEAD-PEF;100nF,5%,63V,TP,7.5x4.0x	6	L2514	3301-000287	BEAD-AXIAL;3.5x1.0x6.0mm,3000mA,TP,,,50	S.N.A
.....6	C521	2305-000665	C-FILM,LEAD-PEF;100nF,5%,63V,TP,7.5x4.0x	6	L2514	3301-000287	BEAD-AXIAL;3.5x1.0x6.0mm,3000mA,TP,,,50	S.N.A
.....6	C689	2305-000665	C-FILM,LEAD-PEF;100nF,5%,63V,TP,7.5x4.0x	6	L2514	3301-000287	BEAD-AXIAL;3.5x1.0x6.0mm,3000mA,TP,,,50	S.N.A
.....6	C690	2305-000665	C-FILM,LEAD-PEF;100nF,5%,63V,TP,7.5x4.0x	6	L2514	3301-000287	BEAD-AXIAL;3.5x1.0x6.0mm,3000mA,TP,,,50	S.N.A
.....6	C911	2305-000665	C-FILM,LEAD-PEF;100nF,5%,63V,TP,7.5x4.0x	6	L2514	3301-000287	BEAD-AXIAL;3.5x1.0x6.0mm,3000mA,TP,,,50	S.N.A
.....6	C912	2305-000665	C-FILM,LEAD-PEF;100nF,5%,63V,TP,7.5x4.0x	6	L2514	3301-000287	BEAD-AXIAL;3.5x1.0x6.0mm,3000mA,TP,,,50	S.N.A
.....6	C519	2305-000665	C-FILM,LEAD-PEF;100nF,5%,63V,TP,7.5x4.0x	6	L2514	3301-000287	BEAD-AXIAL;3.5x1.0x6.0mm,3000mA,TP,,,50	S.N.A
.....6	C107	2305-000665	C-FILM,LEAD-PEF;100nF,5%,63V,TP,7.5x4.0x	6	L2514	3301-000287	BEAD-AXIAL;3.5x1.0x6.0mm,3000mA,TP,,,50	S.N.A
.....6	C119	2305-000665	C-FILM,LEAD-PEF;100nF,5%,63V,TP,7.5x4.0x	6	L2514	3301-000287	BEAD-AXIAL;3.5x1.0x6.0mm,3000mA,TP,,,50	S.N.A
.....6	C121	2305-000665	C-FILM,LEAD-PEF;100nF,5%,63V,TP,7.5x4.0x	6	L2514	3301-000287	BEAD-AXIAL;3.5x1.0x6.0mm,3000mA,TP,,,50	S.N.A

Level	Loc.No.	Code No.	Description;Specification	Remark	Level	Loc.No.	Code No.	Description;Specification	Remark
.....6	L2514	3301-000287	BEAD-AXIAL;.,3.5x1.0x6.0mm,3000mA,TP,,,50	S.N.A5	T0087	1203-000284	IC-POSIFIXED REG.;7806,TO-220,3P,-,PLAS	
.....6	CN003	3711-002642	HEADER-BOARD TO CABLE;BOX,3P,1R,2.5mm,ST	4	T0016	AA97-04940A	ASSY AUTO-SUB;SVP-43J4,P51A,KOREA	S.N.A
.....6	CN601	3711-002643	HEADER-BOARD TO CABLE;BOX,4P,1R,2.5mm,ST	5	D501	0401-000005	DIODE-SWITCHING;1N4148,75V,150mA,DO-35,T	
.....6	PCB	AA41-11053F	PCB-MAIN;P51A,1L,FR-1,330x245x1.6T,1A,-,	S.N.A5	DZ126	0402-000546	DIODE-RECTIFIER;TVR10G,400V,1.0A,DO-41,T	
.....6	EY16	6042-000002	EYELET;ID1.5,OD2,L2.8,NI+SN,BSP3-1/2H	5	DZ127	0402-000546	DIODE-RECTIFIER;TVR10G,400V,1.0A,DO-41,T	
.....6	EY15	6042-000002	EYELET;ID1.5,OD2,L2.8,NI+SN,BSP3-1/2H	5	D453	0402-001286	DIODE-RECTIFIER;RP1H,2000V,0.1A,TO-3P,TP	
.....6	EY14	6042-000002	EYELET;ID1.5,OD2,L2.8,NI+SN,BSP3-1/2H	5	DZ120	0403-000510	DIODE-ZENER;MTZJ6.2B,5.96-6.27V,500mW,DO	
.....6	EY13	6042-000002	EYELET;ID1.5,OD2,L2.8,NI+SN,BSP3-1/2H	5	DZ121	0403-000510	DIODE-ZENER;MTZJ6.2B,5.96-6.27V,500mW,DO	
.....6	EY12	6042-000002	EYELET;ID1.5,OD2,L2.8,NI+SN,BSP3-1/2H	5	DZ123	0403-000510	DIODE-ZENER;MTZJ6.2B,5.96-6.27V,500mW,DO	
.....6	EY21	6042-000002	EYELET;ID1.5,OD2,L2.8,NI+SN,BSP3-1/2H	5	DZ128	0403-000510	DIODE-ZENER;MTZJ6.2B,5.96-6.27V,500mW,DO	
.....6	EY20	6042-000002	EYELET;ID1.5,OD2,L2.8,NI+SN,BSP3-1/2H	5	DZ129	0403-000510	DIODE-ZENER;MTZJ6.2B,5.96-6.27V,500mW,DO	
.....6	EY19	6042-000002	EYELET;ID1.5,OD2,L2.8,NI+SN,BSP3-1/2H	5	DZ130	0403-000510	DIODE-ZENER;MTZJ6.2B,5.96-6.27V,500mW,DO	
.....6	EY18	6042-000002	EYELET;ID1.5,OD2,L2.8,NI+SN,BSP3-1/2H	5	DZ131	0403-000510	DIODE-ZENER;MTZJ6.2B,5.96-6.27V,500mW,DO	
.....6	EY17	6042-000002	EYELET;ID1.5,OD2,L2.8,NI+SN,BSP3-1/2H	5	RZ119	2001-000003	R-CARBON;330ohm,5%,1/8W,AA,TP,1.8x3.2mm	
.....6	EY11	6042-000002	EYELET;ID1.5,OD2,L2.8,NI+SN,BSP3-1/2H	5	RZ120	2001-000281	R-CARBON;100OHM,5%,1/8W,AA,TP,1.8X3.2MM	
.....6	EY05	6042-000002	EYELET;ID1.5,OD2,L2.8,NI+SN,BSP3-1/2H	5	RZ121	2001-000281	R-CARBON;100OHM,5%,1/8W,AA,TP,1.8X3.2MM	
.....6	EY04	6042-000002	EYELET;ID1.5,OD2,L2.8,NI+SN,BSP3-1/2H	5	RZ102	2001-000429	R-CARBON;1KOHM,5%,1/8W,AA,TP,1.8X3.2MM	
.....6	EY03	6042-000002	EYELET;ID1.5,OD2,L2.8,NI+SN,BSP3-1/2H	5	RZ103	2001-000429	R-CARBON;1KOHM,5%,1/8W,AA,TP,1.8X3.2MM	
.....6	EY02	6042-000002	EYELET;ID1.5,OD2,L2.8,NI+SN,BSP3-1/2H	5	RZ110	2001-000563	R-CARBON;27KOHM,5%,1/8W,AA,TP,1.8X3.2MM	
.....6	EY01	6042-000002	EYELET;ID1.5,OD2,L2.8,NI+SN,BSP3-1/2H	5	RZ111	2001-000563	R-CARBON;27KOHM,5%,1/8W,AA,TP,1.8X3.2MM	
.....6	EY10	6042-000002	EYELET;ID1.5,OD2,L2.8,NI+SN,BSP3-1/2H	5	RZ112	2001-000563	R-CARBON;27KOHM,5%,1/8W,AA,TP,1.8X3.2MM	
.....6	EY09	6042-000002	EYELET;ID1.5,OD2,L2.8,NI+SN,BSP3-1/2H	5	RZ133	2001-000563	R-CARBON;27KOHM,5%,1/8W,AA,TP,1.8X3.2MM	
.....6	EY08	6042-000002	EYELET;ID1.5,OD2,L2.8,NI+SN,BSP3-1/2H	5	RZ134	2001-000563	R-CARBON;27KOHM,5%,1/8W,AA,TP,1.8X3.2MM	
.....6	EY07	6042-000002	EYELET;ID1.5,OD2,L2.8,NI+SN,BSP3-1/2H	5	RZ135	2001-000563	R-CARBON;27KOHM,5%,1/8W,AA,TP,1.8X3.2MM	
.....6	EY06	6042-000002	EYELET;ID1.5,OD2,L2.8,NI+SN,BSP3-1/2H	5	RZ131	2001-000591	R-CARBON;3.3KOHM,5%,1/8W,AA,TP,1.8X3.2MM	
.....6	EL23	6042-000001	EYELET;ID2.2,OD2.7,L3.1,NI+SN,BSP3-1/2H	S.N.A5	RZ115	2001-000591	R-CARBON;3.3KOHM,5%,1/8W,AA,TP,1.8X3.2MM	
.....6	EL24	6042-000001	EYELET;ID2.2,OD2.7,L3.1,NI+SN,BSP3-1/2H	S.N.A5	RZ117	2001-000591	R-CARBON;3.3KOHM,5%,1/8W,AA,TP,1.8X3.2MM	
.....6	EL26	6042-000001	EYELET;ID2.2,OD2.7,L3.1,NI+SN,BSP3-1/2H	S.N.A5	RZ136	2001-000591	R-CARBON;3.3KOHM,5%,1/8W,AA,TP,1.8X3.2MM	
.....6	EL17	6042-000001	EYELET;ID2.2,OD2.7,L3.1,NI+SN,BSP3-1/2H	S.N.A5	RZ138	2001-000591	R-CARBON;3.3KOHM,5%,1/8W,AA,TP,1.8X3.2MM	
.....6	EL16	6042-000001	EYELET;ID2.2,OD2.7,L3.1,NI+SN,BSP3-1/2H	S.N.A5	RZ140	2001-000591	R-CARBON;3.3KOHM,5%,1/8W,AA,TP,1.8X3.2MM	
.....6	EL15	6042-000001	EYELET;ID2.2,OD2.7,L3.1,NI+SN,BSP3-1/2H	S.N.A5	RZ114	2001-000857	R-CARBON;560OHM,5%,1/8W,AA,TP,1.8X3.2MM	
.....6	EL27	6042-000001	EYELET;ID2.2,OD2.7,L3.1,NI+SN,BSP3-1/2H	S.N.A5	RZ116	2001-000857	R-CARBON;560OHM,5%,1/8W,AA,TP,1.8X3.2MM	
.....6	EL33	6042-000001	EYELET;ID2.2,OD2.7,L3.1,NI+SN,BSP3-1/2H	S.N.A5	RZ118	2001-000857	R-CARBON;560OHM,5%,1/8W,AA,TP,1.8X3.2MM	
.....6	EL32	6042-000001	EYELET;ID2.2,OD2.7,L3.1,NI+SN,BSP3-1/2H	S.N.A5	RZ137	2001-000857	R-CARBON;560OHM,5%,1/8W,AA,TP,1.8X3.2MM	
.....6	EL31	6042-000001	EYELET;ID2.2,OD2.7,L3.1,NI+SN,BSP3-1/2H	S.N.A5	RZ139	2001-000857	R-CARBON;560OHM,5%,1/8W,AA,TP,1.8X3.2MM	
.....6	EL30	6042-000001	EYELET;ID2.2,OD2.7,L3.1,NI+SN,BSP3-1/2H	S.N.A5	RZ141	2001-000857	R-CARBON;560OHM,5%,1/8W,AA,TP,1.8X3.2MM	
.....6	EL29	6042-000001	EYELET;ID2.2,OD2.7,L3.1,NI+SN,BSP3-1/2H	S.N.A5	RZ104	2001-001114	R-CARBON(S);270OHM,5%,1/2W,AA,TP,2.4X6.4	
.....6	EL28	6042-000001	EYELET;ID2.2,OD2.7,L3.1,NI+SN,BSP3-1/2H	S.N.A5	RZ105	2001-001114	R-CARBON(S);270OHM,5%,1/2W,AA,TP,2.4X6.4	
.....6	EL14	6042-000001	EYELET;ID2.2,OD2.7,L3.1,NI+SN,BSP3-1/2H	S.N.A5	RZ106	2001-001114	R-CARBON(S);270OHM,5%,1/2W,AA,TP,2.4X6.4	
.....6	ELO6	6042-000001	EYELET;ID2.2,OD2.7,L3.1,NI+SN,BSP3-1/2H	S.N.A5	RZ107	2001-001114	R-CARBON(S);270OHM,5%,1/2W,AA,TP,2.4X6.4	
.....6	ELO5	6042-000001	EYELET;ID2.2,OD2.7,L3.1,NI+SN,BSP3-1/2H	S.N.A5	RZ108	2001-001114	R-CARBON(S);270OHM,5%,1/2W,AA,TP,2.4X6.4	
.....6	ELO4	6042-000001	EYELET;ID2.2,OD2.7,L3.1,NI+SN,BSP3-1/2H	S.N.A5	RZ109	2001-001114	R-CARBON(S);270OHM,5%,1/2W,AA,TP,2.4X6.4	
.....6	ELO3	6042-000001	EYELET;ID2.2,OD2.7,L3.1,NI+SN,BSP3-1/2H	S.N.A5	R382	2002-001006	R-COMPOSITION;4.7Kohm,15%,1/2W,AA,TP,3.7	
.....6	ELO2	6042-000001	EYELET;ID2.2,OD2.7,L3.1,NI+SN,BSP3-1/2H	S.N.A5	RZ129	2003-001024	R-METAL OXIDE(S);150ohm,5%,2W,AF,TP,3.9x	
.....6	ELO1	6042-000001	EYELET;ID2.2,OD2.7,L3.1,NI+SN,BSP3-1/2H	S.N.A5	RZ130	2003-001024	R-METAL OXIDE(S);150ohm,5%,2W,AF,TP,3.9x	
.....6	ELO7	6042-000001	EYELET;ID2.2,OD2.7,L3.1,NI+SN,BSP3-1/2H	S.N.A5	RZ149	2003-001024	R-METAL OXIDE(S);150ohm,5%,2W,AF,TP,3.9x	
.....6	EL13	6042-000001	EYELET;ID2.2,OD2.7,L3.1,NI+SN,BSP3-1/2H	S.N.A5	RZ124	2003-002148	R-METAL OXIDE;3.9OHM,2%,2W,AF,TP,3.9X10M	
.....6	EL12	6042-000001	EYELET;ID2.2,OD2.7,L3.1,NI+SN,BSP3-1/2H	S.N.A5	RZ126	2003-002148	R-METAL OXIDE;3.9OHM,2%,2W,AF,TP,3.9X10M	
.....6	EL11	6042-000001	EYELET;ID2.2,OD2.7,L3.1,NI+SN,BSP3-1/2H	S.N.A5	RZ128	2003-002148	R-METAL OXIDE;3.9OHM,2%,2W,AF,TP,3.9X10M	
.....6	ELO8	6042-000001	EYELET;ID2.2,OD2.7,L3.1,NI+SN,BSP3-1/2H	S.N.A5	RZ142	2003-002148	R-METAL OXIDE;3.9OHM,2%,2W,AF,TP,3.9X10M	
.....6	ELO9	6042-000001	EYELET;ID2.2,OD2.7,L3.1,NI+SN,BSP3-1/2H	S.N.A5	RZ145	2003-002148	R-METAL OXIDE;3.9OHM,2%,2W,AF,TP,3.9X10M	
.....6	EL10	6042-000001	EYELET;ID2.2,OD2.7,L3.1,NI+SN,BSP3-1/2H	S.N.A5	RZ147	2003-002148	R-METAL OXIDE;3.9OHM,2%,2W,AF,TP,3.9X10M	
.....6	GTM04	BH71-40300A	PIN-HINGE;BRASS,D2.36!,HEAT/SINK,SN	S.N.A5	RZ131	2003-002171	R-METAL OXIDE(S);150ohm,5%,2W,AG,TP,3.9x	
.....6	GTM03	BH71-40300A	PIN-HINGE;BRASS,D2.36!,HEAT/SINK,SN	S.N.A5	RZ132	2003-002171	R-METAL OXIDE(S);150ohm,5%,2W,AG,TP,3.9x	
.....6	GTM02	BH71-40300A	PIN-HINGE;BRASS,D2.36!,HEAT/SINK,SN	S.N.A5	RZ148	2003-002171	R-METAL OXIDE(S);150ohm,5%,2W,AG,TP,3.9x	
.....6	GTM01	BH71-40300A	PIN-HINGE;BRASS,D2.36!,HEAT/SINK,SN	S.N.A5	R502	2004-001369	R-METAL(S);1.2Kohm,1%,1/2W,AA,TP,2.4x6.4	
.....6	GT803	BH71-40300A	PIN-HINGE;BRASS,D2.36!,HEAT/SINK,SN	S.N.A5	R476B	2004-001892	R-METAL(S);162Kohm,1%,1/2W,AA,TP,2.5x6.5	
.....6	GT802	BH71-40300A	PIN-HINGE;BRASS,D2.36!,HEAT/SINK,SN	S.N.A5	R478	2004-001892	R-METAL(S);162Kohm,1%,1/2W,AA,TP,2.5x6.5	
.....6	GT801	BH71-40300A	PIN-HINGE;BRASS,D2.36!,HEAT/SINK,SN	S.N.A5	R501	2004-002016	R-METAL(S);15Kohm,1%,1/2W,AA,TP,2.5x6.5	
.....4	T0245	AA39-20010C	LEAD CONNECTOR-ASSY;.,1P,600,YFH800-01,S,	5	R476A	2004-004001	R-METAL(S);180Kohm,1%,1/2W,AA,TP,2.5x6.5	
.....3	T0094	AA95-01799D	ASSY SUB-PCB,CONV AMP;SVP-43J4,P51A,KORE	5	R476	2004-004046	R-METAL(S);430Kohm,1%,1/2W,AA,TP,2.5x6.5	
.....4	ICZ102	1203-000121	IC-NEGA.FIXED REG.;7906,TO-220,3P,-,PLAS	5	R476C	2004-004046	R-METAL(S);430Kohm,1%,1/2W,AA,TP,2.5x6.5	
.....4	C491	2306-000322	C-FILM,LEAD-PPF;12NF,5%,1.6KV,BK,29X20.5	5	RFZ19	2008-000261	R-FUSIBLE(S);150ohm,5%,1W,AF,TP,3.9x10mm	
.....4	T0310	4715-001050	SURGE ABSORBER;2.4kV,20%,1500A,-,DISC-RA	5	RFZ20	2008-000261	R-FUSIBLE(S);150ohm,5%,1W,AF,TP,3.9x10mm	
.....4	T0245	AA39-00115A	LEAD CONNECTOR-ASSY;.,10P,100MM,YBNH250-1	5	RFZ21	2008-000261	R-FUSIBLE(S);150ohm,5%,1W,AF,TP,3.9x10mm	
.....4	T0245	AA39-00116A	LEAD CONNECTOR-ASSY;.,12P,100MM,YBNH250-1	5	RFZ22	2008-000261	R-FUSIBLE(S);150ohm,5%,1W,AF,TP,3.9x10mm	
.....4	T0245	AA39-00128A	LEAD CONNECTOR-ASSY;.,8P,100MM,YBNH250-08	5	RFZ50	2008-000261	R-FUSIBLE(S);150ohm,5%,1W,AF,TP,3.9x10mm	
.....4	T0245	AA39-00128A	LEAD CONNECTOR-ASSY;.,8P,100MM,YBNH250-08	5	RFZ51	2008-000261	R-FUSIBLE(S);150ohm,5%,1W,AF,TP,3.9x10mm	
.....4	ICZ103	AA96-00038B	ASSY HEAT SINK P;-CONVERGENCE,AA62-3017	S.N.A5	RFZ52	2008-000261	R-FUSIBLE(S);150ohm,5%,1W,AF,TP,3.9x10mm	
.....4	ICZ104	AA96-00038B	ASSY HEAT SINK P;-CONVERGENCE,AA62-3017	S.N.A5	RFZ53	2008-000261	R-FUSIBLE(S);150ohm,5%,1W,AF,TP,3.9x10mm	
.....5	M0081	6003-001021	SCREW-TAPTITE;RH,+,B,M3,L15,ZPC(YEL),SWR	S.N.A5	VR472	2103-001086	VR-SEMI;100KOHM,25%,0.3W,TOP	
.....5	T0066	AA62-30173E	HEAT SINK-ES;-.,T1.0,WHITE,SCREW-HOLE(1	S.N.A5	CZ119	2201-000119	C-CERAMIC,DISC;100NF,+80-20%,50V,Y5V,TP,	
.....5	T0074	1201-001512	IC-VIDEO AMP;392,SIP,22P,-,TRIPLE,-,PLAS	5	CZ120	2201-000119	C-CERAMIC,DISC;100NF,+80-20%,50V,Y5V,TP,	
.....5	CIS1	0205-001154	OIL-SILICON;G746,-,	S.N.A5	CZ145	2201-000119	C-CERAMIC,DISC;100NF,+80-20%,50V,Y5V,TP,	
.....4	ICZ101	AA96-50152C	ASSY HEAT SINK P;-TR,AA62-30012A,KA7806	S.N.A5	CZ147	2201-000119	C-CERAMIC,DISC;100NF,+80-20%,50V,Y5V,TP,	
.....5	M0081	6003-000333	SCREW-TAPTITE;RH,+,2S,M3,L10,ZPC(YEL),SW	S.N.A5	CZ106	2201-000180	C-CERAMIC,DISC;10NF,10%,50V,Y5V,TP,7X3MM	
.....5	T0066	AA62-30012A	HEAT SINK-ES;-.,AA6063 EXTR,-.,TO220,-.,-	S.N.A5	CZ107	2201-000180	C-CERAMIC,DISC;10NF,10%,50V,Y5V,TP,7X3MM	

Electrical Part List

Level	Loc.No.	Code No.	Description;Specification	Remark	Level	Loc.No.	Code No.	Description;Specification	Remark
....5	CZ117	2201-000327	C-CERAMIC,DISC;2.2NF,10%,50V,Y5V,TP,6.5X	5	GT403	BH71-40300A	PIN-HINGE;BRASS,D2.36!,HEAT/SINK,SN	S.N.A
....5	CZ118	2201-000327	C-CERAMIC,DISC;2.2NF,10%,50V,Y5V,TP,6.5X	5	GT404	BH71-40300A	PIN-HINGE;BRASS,D2.36!,HEAT/SINK,SN	S.N.A
....5	CZ138	2201-000327	C-CERAMIC,DISC;2.2NF,10%,50V,Y5V,TP,6.5X	5	GT405	BH71-40300A	PIN-HINGE;BRASS,D2.36!,HEAT/SINK,SN	S.N.A
....5	CZ139	2201-000327	C-CERAMIC,DISC;2.2NF,10%,50V,Y5V,TP,6.5X	5	GT406	BH71-40300A	PIN-HINGE;BRASS,D2.36!,HEAT/SINK,SN	S.N.A
....5	CZ108	2201-000499	C-CERAMIC,DISC;0.39NF,5%,50V,SL,TP,8.5X3	5	GT407	BH71-40300A	PIN-HINGE;BRASS,D2.36!,HEAT/SINK,SN	S.N.A
....5	CZ109	2201-000499	C-CERAMIC,DISC;0.39NF,5%,50V,SL,TP,8.5X3	5	GT408	BH71-40300A	PIN-HINGE;BRASS,D2.36!,HEAT/SINK,SN	S.N.A
....5	CZ110	2201-000499	C-CERAMIC,DISC;0.39NF,5%,50V,SL,TP,8.5X3	5	PCB	AA41-00135F	PCB-CONVERGENCE AMP;SVP-54J8M,CEM-1,1L,F	S.N.A
....5	CZ126	2201-000499	C-CERAMIC,DISC;0.39NF,5%,50V,SL,TP,8.5X3	4	T0245	0202-001522	SOLDER-WIRE FLUX;LFA3-107-,D1.2,96.5Sn/	S.N.A
....5	CZ127	2201-000499	C-CERAMIC,DISC;0.39NF,5%,50V,SL,TP,8.5X3	3	T0298	AA95-01811F	ASSY SUB-PCB,H/V MDL;SVP-43J4A,P51A,KORE	
....5	CZ128	2201-000499	C-CERAMIC,DISC;0.39NF,5%,50V,SL,TP,8.5X3	4	Q422	0502-001118	TR-POWER;KSC2335,NPN,40W,TO-220,ST,30-6	
....5	CZ121	2201-000764	C-CERAMIC,DISC;0.082NF,5%,50V,COG,TP,8X3	4	T0086	1203-000610	IC-PWM CONTROLLER;494,DIP,16P,300MIL,PLA	
....5	CZ112	2201-000863	C-CERAMIC,DISC;0.68NF,10%,50V,Y5P,TP,5X3	4		2001-000435	R-CARBON;1MOHM,5%,1/8W,AA,TP,1.8X3.2MM	
....5	CZ114	2201-000863	C-CERAMIC,DISC;0.68NF,10%,50V,Y5P,TP,5X3	4	R425	2003-002163	R-METAL OXIDE(S);1.2KOHM,5%,3W,AG,TP,6X1	
....5	CZ116	2201-000863	C-CERAMIC,DISC;0.68NF,10%,50V,Y5P,TP,5X3	4	R485	2008-001096	R-FUSIBLE(S);3.30HM,5%,1/2W,AC,BK,2.5X6.	
....5	CZ133	2201-000863	C-CERAMIC,DISC;0.68NF,10%,50V,Y5P,TP,5X3	4	CN401	3711-001049	HEADER-BOARD TO CABLE;BOX,6P,1R,2.5mm,AN	
....5	CZ135	2201-000863	C-CERAMIC,DISC;0.68NF,10%,50V,Y5P,TP,5X3	4	CN404	3711-001283	HEADER-BOARD TO BOARD;NOWALL,14P,1R,2.5mm	
....5	CZ137	2201-000863	C-CERAMIC,DISC;0.68NF,10%,50V,Y5P,TP,5X3	4	CN402	3711-002709	HEADER-BOARD TO BOARD;NOWALL,12P,1R,2.5mm	
....5	CZ111	2201-000389	C-CERAMIC,DISC;0.022NF,5%,50V,COG,TP,5X3	4	T0010	AA27-10003M	COIL CHOKE,-,6100uH,J40,34mA,TP,EL0607R	
....5	CZ113	2201-000389	C-CERAMIC,DISC;0.022NF,5%,50V,COG,TP,5X3	4	T0245	AA39-20052A	LEAD CONNECTOR-ASSY,-,4P,300,YBNH025-04,Y	
....5	CZ115	2201-000389	C-CERAMIC,DISC;0.022NF,5%,50V,COG,TP,5X3	4	M0107	AA61-10068A	BRACKET-PCB;M2160,SPT,TO.3,-,-,-	S.N.A
....5	CZ132	2201-000389	C-CERAMIC,DISC;0.022NF,5%,50V,COG,TP,5X3	4	M0107	AA61-10068A	BRACKET-PCB;M2160,SPT,TO.3,-,-,-	S.N.A
....5	CZ134	2201-000389	C-CERAMIC,DISC;0.022NF,5%,50V,COG,TP,5X3	4	M0107	AA61-10068A	BRACKET-PCB;M2160,SPT,TO.3,-,-,-	S.N.A
....5	CZ136	2201-000389	C-CERAMIC,DISC;0.022NF,5%,50V,COG,TP,5X3	4	CIS1	AA65-30105C	CLAMPER CORE-WIRE;ALL MODEL,NYLON 66,V2,	S.N.A
....5	CZ151	2202-000183	C-CERAMIC,MLC-AXIAL;2.2NF,20%,16V,Y5R,TP	4	Q371	AA96-50291A	ASSY HEAT SINK P,AA62-30154B,2SC4636	S.N.A
....5	CZ152	2202-000183	C-CERAMIC,MLC-AXIAL;2.2NF,20%,16V,Y5R,TP	5	M0081	6003-000333	SCREW-TAPTITE,RH,-,2S,M3,L10,ZPC(YEL),SW	S.N.A
....5	CZ153	2202-000183	C-CERAMIC,MLC-AXIAL;2.2NF,20%,16V,Y5R,TP	5	T0066	AA62-30154B	HEAT SINK-ES,-,A6063,EXTR,-,-,SILVER AN	S.N.A
....5	CZ154	2202-000183	C-CERAMIC,MLC-AXIAL;2.2NF,20%,16V,Y5R,TP	5		0502-000442	TR-POWER;2SC4636RB,NPN,2W,TO-220,ST,10-	
....5	CZ155	2202-000183	C-CERAMIC,MLC-AXIAL;2.2NF,20%,16V,Y5R,TP	5	CIS1	0205-001154	OIL-SILICON;G746,-,-	S.N.A
....5	CZ156	2202-000183	C-CERAMIC,MLC-AXIAL;2.2NF,20%,16V,Y5R,TP	4	T0016	AA97-04944A	ASSY AUTO-SUB;SVP-43J4A,P51A,KOREA	S.N.A
....5	CZ103	2401-000689	C-AL;2200uF,20%,16V,GP,TP,13x25,5	5	D342	0401-000005	DIODE-SWITCHING;1N4148,75V,150mA,DO-35,T	
....5	CZ105	2401-000689	C-AL;2200uF,20%,16V,GP,TP,13x25,5	5	D343	0401-000005	DIODE-SWITCHING;1N4148,75V,150mA,DO-35,T	
....5	CZ101	2401-001429	C-AL;470uF,20%,50V,GP,TP,13x20,5	5	D344	0401-000005	DIODE-SWITCHING;1N4148,75V,150mA,DO-35,T	
....5	CZ102	2401-001429	C-AL;470uF,20%,50V,GP,TP,13x20,5	5	D352	0401-000005	DIODE-SWITCHING;1N4148,75V,150mA,DO-35,T	
....5	CZ144	2401-000025	C-AL;100uF,20%,16V,GP,TP,6.3x11,5	5	D353	0401-000005	DIODE-SWITCHING;1N4148,75V,150mA,DO-35,T	
....5	CZ146	2401-000025	C-AL;100uF,20%,16V,GP,TP,6.3x11,5	5	D363	0401-000005	DIODE-SWITCHING;1N4148,75V,150mA,DO-35,T	
....5	LZ103	2701-000142	INDUCTOR-AXIAL;1UH,10%,2534	5	D364	0401-000005	DIODE-SWITCHING;1N4148,75V,150mA,DO-35,T	
....5	LZ104	2701-000142	INDUCTOR-AXIAL;1UH,10%,2534	5	D371	0401-000005	DIODE-SWITCHING;1N4148,75V,150mA,DO-35,T	
....5	LZ107	2701-000142	INDUCTOR-AXIAL;1UH,10%,2534	5	D372	0401-000005	DIODE-SWITCHING;1N4148,75V,150mA,DO-35,T	
....5	LZ108	2701-000142	INDUCTOR-AXIAL;1UH,10%,2534	5	D385	0401-000005	DIODE-SWITCHING;1N4148,75V,150mA,DO-35,T	
....5	LZ109	2701-000142	INDUCTOR-AXIAL;1UH,10%,2534	5	D442	0401-000005	DIODE-SWITCHING;1N4148,75V,150mA,DO-35,T	
....5	LZ110	2701-000142	INDUCTOR-AXIAL;1UH,10%,2534	5	D443	0401-000005	DIODE-SWITCHING;1N4148,75V,150mA,DO-35,T	
....5	LZ111	2701-000142	INDUCTOR-AXIAL;1UH,10%,2534	5	D456	0401-000005	DIODE-SWITCHING;1N4148,75V,150mA,DO-35,T	
....5	LZ112	2701-000142	INDUCTOR-AXIAL;1UH,10%,2534	5	D475	0401-000005	DIODE-SWITCHING;1N4148,75V,150mA,DO-35,T	
....5	LZ101	2701-001030	INDUCTOR-AXIAL;43UH,10%,4514	5	D476	0401-000005	DIODE-SWITCHING;1N4148,75V,150mA,DO-35,T	
....5	LZ102	2701-001030	INDUCTOR-AXIAL;43UH,10%,4514	5	D477	0401-000005	DIODE-SWITCHING;1N4148,75V,150mA,DO-35,T	
....5	CN403	3711-002643	HEADER-BOARD TO CABLE;BOX,4P,1R,2.5mm,ST	5	D478	0401-000005	DIODE-SWITCHING;1N4148,75V,150mA,DO-35,T	
....5	EY01	6042-000002	EYELET;ID1.5,OD2,L2.8,NI+SN,BSP3-1/2H	5	D479	0401-000005	DIODE-SWITCHING;1N4148,75V,150mA,DO-35,T	
....5	EY02	6042-000002	EYELET;ID1.5,OD2,L2.8,NI+SN,BSP3-1/2H	5	D491	0401-000005	DIODE-SWITCHING;1N4148,75V,150mA,DO-35,T	
....5	EY03	6042-000002	EYELET;ID1.5,OD2,L2.8,NI+SN,BSP3-1/2H	5	D484	0402-000132	DIODE-RECTIFIER;1N4004,400V,1A,DO-41,TP	
....5	EY04	6042-000002	EYELET;ID1.5,OD2,L2.8,NI+SN,BSP3-1/2H	5	D480	0402-000132	DIODE-RECTIFIER;1N4004,400V,1A,DO-41,TP	
....5	EY05	6042-000002	EYELET;ID1.5,OD2,L2.8,NI+SN,BSP3-1/2H	5	D484	0402-000132	DIODE-RECTIFIER;1N4004,400V,1A,DO-41,TP	
....5	EY06	6042-000002	EYELET;ID1.5,OD2,L2.8,NI+SN,BSP3-1/2H	5	D373	0402-000243	DIODE-RECTIFIER;RC2-V1,2KV,0.2A,DO-201,T	
....5	EY07	6042-000002	EYELET;ID1.5,OD2,L2.8,NI+SN,BSP3-1/2H	5	D451	0402-000534	DIODE-RECTIFIER;RG10V,400V,1.2A,DO-201,T	
....5	EY08	6042-000002	EYELET;ID1.5,OD2,L2.8,NI+SN,BSP3-1/2H	5	D355	0402-000546	DIODE-RECTIFIER;TVR10G,400V,1.0A,DO-41,T	
....5	EY09	6042-000002	EYELET;ID1.5,OD2,L2.8,NI+SN,BSP3-1/2H	5	D457	0403-000714	DIODE-ZENER;MTZJ3.3B,3.32-3.53V,500MW,DO	
....5	EY10	6042-000002	EYELET;ID1.5,OD2,L2.8,NI+SN,BSP3-1/2H	5	D492	0403-000716	DIODE-ZENER;MTZJ4.7B,4.59-4.77V,500MW,DO	
....5	EL01	6042-000001	EYELET;ID2.2,OD2.7,L3.1,NI+SN,BSP3-1/2H	S.N.A5	D483	0403-000720	DIODE-ZENER;MTZJ9.1B,8.57-9.01V,500MW,DO	
....5	EL02	6042-000001	EYELET;ID2.2,OD2.7,L3.1,NI+SN,BSP3-1/2H	S.N.A5	D474	0403-000734	DIODE-ZENER;TZP15B,14.7-16.5V,1000MW,DO-	
....5	EL03	6042-000001	EYELET;ID2.2,OD2.7,L3.1,NI+SN,BSP3-1/2H	S.N.A5	D386	0403-001316	DIODE-ZENER;MTZJ3.0A,2.85-3.07V,500MW,DO	
....5	EL04	6042-000001	EYELET;ID2.2,OD2.7,L3.1,NI+SN,BSP3-1/2H	S.N.A5	D395	0403-001319	DIODE-ZENER;MTZJ4.7C,4.68-4.93V,500MW,DO	
....5	EL05	6042-000001	EYELET;ID2.2,OD2.7,L3.1,NI+SN,BSP3-1/2H	S.N.A5	D345	0403-001325	DIODE-ZENER;MTZJ15C,14.42-15.02V,500MW,D	
....5	GT17	BH71-40300A	PIN-HINGE;BRASS,D2.36!,HEAT/SINK,SN	S.N.A5	D493	0403-001325	DIODE-ZENER;MTZJ15C,14.42-15.02V,500MW,D	
....5	GT18	BH71-40300A	PIN-HINGE;BRASS,D2.36!,HEAT/SINK,SN	S.N.A5	Q344	0501-000283	TR-SMALL SIGNAL;KSA539,PNP,400mW,TO-92,T	
....5	GT21	BH71-40300A	PIN-HINGE;BRASS,D2.36!,HEAT/SINK,SN	S.N.A5	Q351	0501-000283	TR-SMALL SIGNAL;KSA539,PNP,400mW,TO-92,T	
....5	GT22	BH71-40300A	PIN-HINGE;BRASS,D2.36!,HEAT/SINK,SN	S.N.A5	Q354	0501-000283	TR-SMALL SIGNAL;KSA539,PNP,400mW,TO-92,T	
....5	GT23	BH71-40300A	PIN-HINGE;BRASS,D2.36!,HEAT/SINK,SN	S.N.A5	Q454	0501-000283	TR-SMALL SIGNAL;KSA539,PNP,400mW,TO-92,T	
....5	GT24	BH71-40300A	PIN-HINGE;BRASS,D2.36!,HEAT/SINK,SN	S.N.A5	Q482	0501-000283	TR-SMALL SIGNAL;KSA539,PNP,400mW,TO-92,T	
....5	GT25	BH71-40300A	PIN-HINGE;BRASS,D2.36!,HEAT/SINK,SN	S.N.A5	Q483	0501-000283	TR-SMALL SIGNAL;KSA539,PNP,400mW,TO-92,T	
....5	GT26	BH71-40300A	PIN-HINGE;BRASS,D2.36!,HEAT/SINK,SN	S.N.A5	Q355	0501-000366	TR-SMALL SIGNAL;KSC2330-Y,NPN,1W,TO-92L,	
....5	GT27	BH71-40300A	PIN-HINGE;BRASS,D2.36!,HEAT/SINK,SN	S.N.A5	Q342	0501-000389	TR-SMALL SIGNAL;KSC815,NPN,400mW,TO-92,T	
....5	GT28	BH71-40300A	PIN-HINGE;BRASS,D2.36!,HEAT/SINK,SN	S.N.A5	Q343	0501-000389	TR-SMALL SIGNAL;KSC815,NPN,400mW,TO-92,T	
....5	GT29	BH71-40300A	PIN-HINGE;BRASS,D2.36!,HEAT/SINK,SN	S.N.A5	Q350	0501-000389	TR-SMALL SIGNAL;KSC815,NPN,400mW,TO-92,T	
....5	GT30	BH71-40300A	PIN-HINGE;BRASS,D2.36!,HEAT/SINK,SN	S.N.A5	Q352	0501-000389	TR-SMALL SIGNAL;KSC815,NPN,400mW,TO-92,T	
....5	GT31	BH71-40300A	PIN-HINGE;BRASS,D2.36!,HEAT/SINK,SN	S.N.A5	Q353	0501-000389	TR-SMALL SIGNAL;KSC815,NPN,400mW,TO-92,T	
....5	GT32	BH71-40300A	PIN-HINGE;BRASS,D2.36!,HEAT/SINK,SN	S.N.A5	Q381	0501-000389	TR-SMALL SIGNAL;KSC815,NPN,400mW,TO-92,T	
....5	GT401	BH71-40300A	PIN-HINGE;BRASS,D2.36!,HEAT/SINK,SN	S.N.A5	Q382	0501-000389	TR-SMALL SIGNAL;KSC815,NPN,400mW,TO-92,T	
....5	GT402	BH71-40300A	PIN-HINGE;BRASS,D2.36!,HEAT/SINK,SN	S.N.A5	Q401	0501-000389	TR-SMALL SIGNAL;KSC815,NPN,400mW,TO-92,T	

Level	Loc.No.	Code No.	Description;Specification	Remark	Level	Loc.No.	Code No.	Description;Specification	Remark
....5	Q402	0501-000389	TR-SMALL SIGNAL;KSC815,NPN,400mW,TO-92,T	5	R358	2001-000837	R-CARBON;51KOHM,5%,1/8W,AA,TP,1.8X3.2MM	
....5	Q421	0501-000389	TR-SMALL SIGNAL;KSC815,NPN,400mW,TO-92,T	5	R360	2001-000857	R-CARBON;560OHM,5%,1/8W,AA,TP,1.8X3.2MM	
....5	Q451	0501-000389	TR-SMALL SIGNAL;KSC815,NPN,400mW,TO-92,T	5	R423	2001-000869	R-CARBON;560OHM,5%,1/8W,AA,TP,1.8X3.2MM	
....5	Q452	0501-000389	TR-SMALL SIGNAL;KSC815,NPN,400mW,TO-92,T	5	R344	2001-000890	R-CARBON;6.8KOHM,5%,1/8W,AA,TP,1.8X3.2MM	
....5	Q453	0501-000389	TR-SMALL SIGNAL;KSC815,NPN,400mW,TO-92,T	5	R353	2001-000890	R-CARBON;6.8KOHM,5%,1/8W,AA,TP,1.8X3.2MM	
....5	Q461	0501-000389	TR-SMALL SIGNAL;KSC815,NPN,400mW,TO-92,T	5	R354	2001-000890	R-CARBON;6.8KOHM,5%,1/8W,AA,TP,1.8X3.2MM	
....5	Q471	0501-000389	TR-SMALL SIGNAL;KSC815,NPN,400mW,TO-92,T	5	R487	2001-000924	R-CARBON;680OHM,5%,1/8W,AA,TP,1.8X3.2MM	
....5	Q473	0501-000389	TR-SMALL SIGNAL;KSC815,NPN,400mW,TO-92,T	5	R364	2001-000938	R-CARBON;680OHM,5%,1/8W,AA,TP,1.8X3.2MM	
....5	Q481	0501-000389	TR-SMALL SIGNAL;KSC815,NPN,400mW,TO-92,T	5	R482	2001-001031	R-CARBON;91KOHM,5%,1/8W,AA,TP,1.8X3.2MM	
....5	Q491	0501-000389	TR-SMALL SIGNAL;KSC815,NPN,400mW,TO-92,T	5	R367	2001-001065	R-CARBON(S);110KOHM,5%,1/2W,AA,TP,2.4X6.4	
....5	IC012	1203-001217	IC-POS.ADJUST REG.;431,TO-92,3P,4.58MIL	5	R368	2001-001065	R-CARBON(S);110KOHM,5%,1/2W,AA,TP,2.4X6.4	
....5	R352	2001-000003	R-CARBON;330ohm,5%,1/8W,AA,TP,1.8x3.2mm	5	R369	2001-001065	R-CARBON(S);110KOHM,5%,1/2W,AA,TP,2.4X6.4	
....5	R497	2001-000003	R-CARBON;330ohm,5%,1/8W,AA,TP,1.8x3.2mm	5	R369A	2001-001065	R-CARBON(S);110KOHM,5%,1/2W,AA,TP,2.4X6.4	
....5	R479	2001-000005	R-CARBON;390ohm,5%,1/8W,AA,TP,1.8x3.2mm	5	R370	2001-001065	R-CARBON(S);110KOHM,5%,1/2W,AA,TP,2.4X6.4	
....5	R416	2001-000006	R-CARBON;2.4KOHM,5%,1/8W,AA,TP,1.8X3.2MM	5	R371	2001-001065	R-CARBON(S);110KOHM,5%,1/2W,AA,TP,2.4X6.4	
....5	R350	2001-000009	R-CARBON;20KOHM,5%,1/8W,AA,TP,1.8X3.2MM	5	R345	2001-001088	R-CARBON(S);1KOHM,5%,1/2W,AA,TP,2.4X6.4M	
....5	R357	2001-000009	R-CARBON;20KOHM,5%,1/8W,AA,TP,1.8X3.2MM	5	R347	2001-001088	R-CARBON(S);1KOHM,5%,1/2W,AA,TP,2.4X6.4M	
....5	R387	2001-000009	R-CARBON;20KOHM,5%,1/8W,AA,TP,1.8X3.2MM	5	R381	2001-001088	R-CARBON(S);1KOHM,5%,1/2W,AA,TP,2.4X6.4M	
....5	R474	2001-000009	R-CARBON;20KOHM,5%,1/8W,AA,TP,1.8X3.2MM	5	R412	2001-001088	R-CARBON(S);1KOHM,5%,1/2W,AA,TP,2.4X6.4M	
....5	R495	2001-000037	R-CARBON(S);330OHM,5%,1/2W,AA,TP,2.4X6.4	5	R372	2001-001110	R-CARBON(S);240KOHM,5%,1/2W,AA,TP,2.4X6.4	
....5	R494	2001-000066	R-CARBON(S);10KOHM,5%,1/2W,AA,TP,2.4X6.4	5	R373	2001-001110	R-CARBON(S);240KOHM,5%,1/2W,AA,TP,2.4X6.4	
....5	R438	2001-000085	R-CARBON(S);100KOHM,5%,1/2W,AA,TP,2.4X6.4	5	R374	2001-001110	R-CARBON(S);240KOHM,5%,1/2W,AA,TP,2.4X6.4	
....5	R439	2001-000085	R-CARBON(S);100KOHM,5%,1/2W,AA,TP,2.4X6.4	5	R375	2001-001113	R-CARBON(S);270KOHM,5%,1/2W,AA,TP,2.4X6.4	
....5	R366	2001-000109	R-CARBON(S);470OHM,5%,1/2W,AA,TP,2.4X6.4	5	R365	2001-001120	R-CARBON(S);3.3OHM,5%,1/2W,AA,TP,2.4X6.4	
....5	R340	2001-000241	R-CARBON;1.5KOHM,5%,1/8W,AA,TP,1.8X3.2MM	5	R471	2001-001146	R-CARBON(S);4.7OHM,5%,1/2W,AA,TP,2.4X6.4	
....5	R452	2001-000241	R-CARBON;1.5KOHM,5%,1/8W,AA,TP,1.8X3.2MM	5	R384	2001-001150	R-CARBON(S);470KOHM,5%,1/2W,AA,TP,2.4X6.4	
....5	R349	2001-000252	R-CARBON;1.6Kohm,5%,1/8W,AA,TP,1.8x3.2mm	5	R422	2001-001163	R-CARBON(S);560OHM,5%,1/2W,AA,TP,2.4X6.4	
....5	R445	2001-000258	R-CARBON;1.8KOHM,5%,1/8W,AA,TP,1.8X3.2MM	5	R498	2001-001165	R-CARBON(S);560OHM,5%,1/2W,AA,TP,2.4X6.4M	
....5	R342	2001-000273	R-CARBON;100KOHM,5%,1/8W,AA,TP,1.8X3.2MM	5	R351	2001-001178	R-CARBON(S);680OHM,5%,1/2W,AA,TP,2.4X6.4	
....5	R420	2001-000281	R-CARBON;100OHM,5%,1/8W,AA,TP,1.8X3.2MM	5	R491	2001-001178	R-CARBON(S);680OHM,5%,1/2W,AA,TP,2.4X6.4	
....5	R346	2001-000290	R-CARBON;10KOHM,5%,1/8W,AA,TP,1.8X3.2MM	5	R361	2001-001191	R-CARBON(S);820KOHM,5%,1/2W,AA,TP,2.4X6.4	
....5	R414	2001-000290	R-CARBON;10KOHM,5%,1/8W,AA,TP,1.8X3.2MM	5	R459	2001-001192	R-CARBON(S);820OHM,5%,1/2W,AA,TP,2.4X6.4	
....5	R450	2001-000290	R-CARBON;10KOHM,5%,1/8W,AA,TP,1.8X3.2MM	5	R443	2003-002156	R-METAL OXIDE;560OHM,5%,2W,AG,TP,6X16MM	
....5	R481	2001-000290	R-CARBON;10KOHM,5%,1/8W,AA,TP,1.8X3.2MM	5	R443A	2003-002156	R-METAL OXIDE;560OHM,5%,2W,AG,TP,6X16MM	
....5	R461	2001-000302	R-CARBON;100OHM,5%,1/8W,AA,TP,1.8X3.2MM	5	R421	2003-002159	R-METAL OXIDE;150OHM,5%,1W,AG,TP,4.3X12M	
....5	R475	2001-000331	R-CARBON;12KOHM,5%,1/8W,AA,TP,1.8X3.2MM	5	R460	2003-002159	R-METAL OXIDE;150OHM,5%,1W,AG,TP,4.3X12M	
....5	R496	2001-000347	R-CARBON;13KOHM,5%,1/8W,AA,TP,1.8X3.2MM	5	R377	2004-001892	R-METAL(S);162Kohm,1%,1/2W,AA,TP,2.5x6.5	
....5	R448	2001-000411	R-CARBON;18KOHM,5%,1/8W,AA,TP,1.8X3.2MM	5	R378	2004-001892	R-METAL(S);162Kohm,1%,1/2W,AA,TP,2.5x6.5	
....5	R341	2001-000429	R-CARBON;1KOHM,5%,1/8W,AA,TP,1.8X3.2MM	5	R379	2004-001892	R-METAL(S);162Kohm,1%,1/2W,AA,TP,2.5x6.5	
....5	R345A	2001-000429	R-CARBON;1KOHM,5%,1/8W,AA,TP,1.8X3.2MM	5	R380	2004-001892	R-METAL(S);162Kohm,1%,1/2W,AA,TP,2.5x6.5	
....5	R397	2001-000429	R-CARBON;1KOHM,5%,1/8W,AA,TP,1.8X3.2MM	5	R442A	2008-000204	R-FUSIBLE(S);0.22ohm,10%,1/2W,AF,TP,2.5x	
....5	R477	2001-000429	R-CARBON;1KOHM,5%,1/8W,AA,TP,1.8X3.2MM	5	R442	2008-000253	R-FUSIBLE(S);0.47ohm,5%,1W,AF,TP,3.9x10mm	
....5	R483	2001-000429	R-CARBON;1KOHM,5%,1/8W,AA,TP,1.8X3.2MM	5	R437	2008-001087	R-FUSIBLE(S);1.8ohm,5%,2W,AG,TP,3.9x12mm	
....5	R484	2001-000429	R-CARBON;1KOHM,5%,1/8W,AA,TP,1.8X3.2MM	5	C490	2201-000119	C-CERAMIC,DISC;100NF,+80-20%,50V,Y5V,TP,	
....5	R493	2001-000429	R-CARBON;1KOHM,5%,1/8W,AA,TP,1.8X3.2MM	5	C493	2201-000119	C-CERAMIC,DISC;100NF,+80-20%,50V,Y5V,TP,	
....5	R348	2001-000449	R-CARBON;2.2KOHM,5%,1/8W,AA,TP,1.8X3.2MM	5	C456	2201-000132	C-CERAMIC,DISC;0.1NF,10%,500V,Y5P,TP,6.5	
....5	R480	2001-000449	R-CARBON;2.2KOHM,5%,1/8W,AA,TP,1.8X3.2MM	5	C485	2201-000146	C-CERAMIC,DISC;0.1NF,5%,50V,SL,TP,5X3.5M	
....5	R474A	2001-000508	R-CARBON;220KOHM,5%,1/8W,AA,TP,1.8X3.2MM	5	C486	2201-000146	C-CERAMIC,DISC;0.1NF,5%,50V,SL,TP,5X3.5M	
....5	R413	2001-000515	R-CARBON;220OHM,5%,1/8W,AA,TP,1.8X3.2MM	5	C356	2201-000180	C-CERAMIC,DISC;0.1NF,10%,50V,Y5V,TP,7X3MM	
....5	R388	2001-000522	R-CARBON;220OHM,5%,1/8W,AA,TP,1.8X3.2MM	5	C406	2201-000370	C-CERAMIC,DISC;0.22NF,10%,50V,Y5P,TP,4X3	
....5	R446	2001-000522	R-CARBON;22KOHM,5%,1/8W,AA,TP,1.8X3.2MM	5	C494	2201-000471	C-CERAMIC,DISC;0.33NF,10%,50V,Y5P,TP,4X3	
....5	R489	2001-000522	R-CARBON;22KOHM,5%,1/8W,AA,TP,1.8X3.2MM	5	C405	2201-000558	C-CERAMIC,DISC;0.47NF,10%,50V,Y5P,TP,5X3	
....5	R385	2001-000577	R-CARBON;2KOHM,5%,1/8W,AA,TP,1.8X3.2MM	5	C461	2201-000600	C-CERAMIC,DISC;0.56NF,10%,50V,Y5P,TP,5X3	
....5	R389	2001-000577	R-CARBON;2KOHM,5%,1/8W,AA,TP,1.8X3.2MM	5	C353	2201-000863	C-CERAMIC,DISC;0.68NF,10%,50V,Y5P,TP,5X3	
....5	R458	2001-000577	R-CARBON;2KOHM,5%,1/8W,AA,TP,1.8X3.2MM	5	C495	2301-000204	C-FILM,LEAD-PEF;2.7nF,5%,50V,TP,7.4x3.9x	
....5	R492	2001-000591	R-CARBON;3.3KOHM,5%,1/8W,AA,TP,1.8X3.2MM	5	C351	2301-000224	C-FILM,LEAD-PEF;22nF,5%,50V,TP,7.4x3.9x1	
....5	R339	2001-000613	R-CARBON;3.9KOHM,5%,1/8W,AA,TP,1.8X3.2MM	5	C354	2301-000261	C-FILM,LEAD-PEF;4.7nF,5%,100V,TP,10.5x12	
....5	R376	2001-000613	R-CARBON;3.9KOHM,5%,1/8W,AA,TP,1.8X3.2MM	5	C422	2301-000289	C-FILM,LEAD-PEF;5.6nF,5%,50V,TP,7x6x3mm,	
....5	R362	2001-000660	R-CARBON;33KOHM,5%,1/8W,AA,TP,1.8X3.2MM	5	C454	2303-000331	C-FILM,LEAD-PPF;4.7nF,5%,630V,TP,19.5x12	
....5	R449	2001-000660	R-CARBON;33KOHM,5%,1/8W,AA,TP,1.8X3.2MM	5	C362	2305-000149	C-FILM,LEAD-PEF;100nF,5%,100V,TP,12x12.5	
....5	R363	2001-000723	R-CARBON;4.3KOHM,5%,1/8W,AA,TP,1.8X3.2MM	5	C482	2305-000178	C-FILM,LEAD-PEF;10nF,5%,100V,TP,-,5mm	
....5	R490	2001-000723	R-CARBON;4.3KOHM,5%,1/8W,AA,TP,1.8X3.2MM	5	C360	2305-001037	C-FILM,LEAD-PEF;330nF,5%,63V,TP,7.5x5.5x	
....5	R355	2001-000734	R-CARBON;4.7KOHM,5%,1/8W,AA,TP,1.8X3.2MM	5	C429	2305-000704	C-FILM,LEAD-PEF;100nF,5%,250V,TP,16.5x11	
....5	R395	2001-000734	R-CARBON;4.7KOHM,5%,1/8W,AA,TP,1.8X3.2MM	5	C466	2305-001023	C-FILM,LEAD-PEF;680nF,10%,63V,TP,7.5x5.5	
....5	R415	2001-000734	R-CARBON;4.7KOHM,5%,1/8W,AA,TP,1.8X3.2MM	5	C361	2306-000122	C-FILM,LEAD-PPF;100nF,5%,50V,TP,7.3x4.0x	
....5	R464	2001-000734	R-CARBON;4.7KOHM,5%,1/8W,AA,TP,1.8X3.2MM	5	C480	2306-000122	C-FILM,LEAD-PPF;100nF,5%,50V,TP,7.3x4.0x	
....5	R475B	2001-000734	R-CARBON;4.7KOHM,5%,1/8W,AA,TP,1.8X3.2MM	5	C371	2401-000302	C-AL;100uF,20%,25V,GP,TP,6.3x11.5	
....5	R454	2001-000761	R-CARBON;430OHM,5%,1/8W,AA,TP,1.8X3.2MM	5	C373	2401-000302	C-AL;100uF,20%,25V,GP,TP,6.3x11.5	
....5	R455	2001-000761	R-CARBON;430OHM,5%,1/8W,AA,TP,1.8X3.2MM	5	C421	2401-000302	C-AL;100uF,20%,25V,GP,TP,6.3x11.5	
....5	R456	2001-000761	R-CARBON;430OHM,5%,1/8W,AA,TP,1.8X3.2MM	5	C358	2401-000471	C-AL;10uF,20%,50V,BP,TP,5x11.5mm	
....5	R359	2001-000766	R-CARBON;43KOHM,5%,1/8W,AA,TP,1.8X3.2MM	5	C352	2401-000480	C-AL;10uF,20%,50V,GP,TP,5x11.5	
....5	R386	2001-000786	R-CARBON;47KOHM,5%,1/8W,AA,TP,1.8X3.2MM	5	C355	2401-000480	C-AL;10uF,20%,50V,GP,TP,5x11.5	
....5	R472	2001-000800	R-CARBON;5.1KOHM,5%,1/8W,AA,TP,1.8X3.2MM	5	C372	2401-000480	C-AL;10uF,20%,50V,GP,TP,5x11.5	
....5	R473	2001-000800	R-CARBON;5.1KOHM,5%,1/8W,AA,TP,1.8X3.2MM	5	C496	2401-000832	C-AL;220uF,20%,25V,GP,TP,8x11.5,5	
....5	R343	2001-000812	R-CARBON;5.6KOHM,5%,1/8W,AA,TP,1.8X3.2MM	5	C342	2401-000962	C-AL;22uF,20%,50V,GP,TP,5x11.5	
....5	R447	2001-000812	R-CARBON;5.6KOHM,5%,1/8W,AA,TP,1.8X3.2MM	5	C487	2401-001026	C-AL;3.3uF,20%,50V,GP,TP,5X11.5	
....5	R451	2001-000812	R-CARBON;5.6KOHM,5%,1/8W,AA,TP,1.8X3.2MM	5	C455	2401-001527	C-AL;47uF,20%,250V,HR,TP,13x25mm,5m	

Electrical Part List

Level	Loc.No.	Code No.	Description;Specification	Remark	Level	Loc.No.	Code No.	Description;Specification	Remark
....5	C374	2401-001621	C-AL;6.8uF,20%,450V,GP,TP,13x20.5	4	T0010	AA27-10001C	COIL CHOKE;-;100uH,K,-,5.0A,ST,700UH-K(R	
....5	C484	2401-001625	C-AL;6.8uF,20%,50V,GP,TP,5x11.5	4	T0010	AA27-10001C	COIL CHOKE;-;100uH,K,-,5.0A,ST,700UH-K(R	
....5	C489	2401-000265	C-AL;100uF,20%,16V,GP,TP,6.3x11.5	4	T0010	AA27-10001C	COIL CHOKE;-;100uH,K,-,5.0A,ST,700UH-K(R	
....5	C341	2401-001914	C-AL;1uF,20%,50V,BP,TP,5x11.5	4	T0010	AA27-10001C	COIL CHOKE;-;100uH,K,-,5.0A,ST,700UH-K(R	
....5	C357	2401-001989	C-AL;4.7uF,20%,50V,BP,TP,5x11.5	4	T0010	AA27-10002L	COIL CHOKE;-;24uH,K,-,2A,-,24UH-K,10x10m	
....5	C488	2401-002144	C-AL;47uF,20%,16V,GP,TP,5x11.5	4	T0296	AA27-30003S	COIL LINEARITY;-;54uH,YL81DR14x15.0,12mm	
....5	C492	2401-002144	C-AL;47uF,20%,16V,GP,TP,5x11.5	4	T0010	AA27-40001F	COIL CHOKE;-;1mH,DR1520,P10.4,-	
....5	C481	2401-000050	C-AL;10uF,20%,16V,GP,TP,5x11.2,5	4	L801	AA29-30002M	FILTER LINE NOISE;-;1mHMIN,5A,AC90-260V,	
....5	L341	2701-000116	INDUCTOR-AXIAL;10UH,10%,4298	4	L803	AA29-30002M	FILTER LINE NOISE;-;1mHMIN,5A,AC90-260V,	
....5	EL01	6042-000002	EYELET;ID1.5,OD2,L2.8,NI+SN,BSP3-1/2H	4	L800	AA29-30002P	FILTER LINE NOISE;-;3MH,5A,AC100-260V,35	
....5	EL02	6042-000002	EYELET;ID1.5,OD2,L2.8,NI+SN,BSP3-1/2H	4	T0245	AA39-00009A	LEAD CONNECTOR-ASSY;-;3(2)P,200MM,YFH800-	
....5	EL03	6042-000002	EYELET;ID1.5,OD2,L2.8,NI+SN,BSP3-1/2H	4	T0245	AA39-00115A	LEAD CONNECTOR-ASSY;-;10P,100MM,YBNH250-1	
....5	EL04	6042-000002	EYELET;ID1.5,OD2,L2.8,NI+SN,BSP3-1/2H	4	T0245	AA39-00116B	LEAD CONNECTOR-ASSY;-;12P,300MM,YBNH250-1	
....5	GT401	BH71-40300A	PIN-HINGE;BRASS,D2.36!,HEAT/SINK,SN	S.N.A4	T0245	AA39-00128A	LEAD CONNECTOR-ASSY;-;8P,100MM,YBNH250-08	
....5	PCB	AA41-00199D	PCB-H/V;SVP-43J5M,CEM-1,1L,D,1.6T,330X24	S.N.A4	T0245	AA39-20061G	LEAD CONNECTOR-ASSY;-;3P,100MM,YFH800-03,	
....5	C462	2301-000005	SOLDER-LEAD-PEF;33nF,5%,100V,TP,5.8x12.5	4	T0098	AA62-00010A	HEAT SINK;-;T1.0,SILVER,H/SINK & SHIEL	S.N.A
....4	T0245	0202-001522	SOLDER-WIRE FLUX;LFA3-107,-,D1,2.96.55n/	S.N.A4	T0603	AA63-10002A	BAND-TIE;NYLON66 V2,L100,NTR,0.7,0.7 G	S.N.A
....3	T0089	AA95-01846B	ASSY SUB-PCB,SUB;PCJ522R,P51A,AA95-00053	4	CIS1	AA65-30105B	CLAMPER CORE-WIRE;ALL MODEL,NYLON 66,V2,	S.N.A
....4	D464	0402-000236	DIODE-RECTIFIER;G1824,400V,5A,-,TP	4	CIS1	AA65-30110A	CLAMPER CORE-WIRE;ALL MODEL,NYLON 66,V2,	S.N.A
....4	D810	0402-000250	DIODE-RECTIFIER;RG4C,1KV,2A,-,-	4	D871	AA96-00032A	ASSY HEAT SINK P;-;AA62-30173B,FMLG12,FM,	S.N.A
....4	D431	0402-000266	DIODE-RECTIFIER;RH4F,1.5KV,2.5A,-,-	5	M0081	6003-000333	SCREW-TAPTITE;RH,+2S,M3,L10,ZPC(YEL),SW	S.N.A
....4	D432	0402-000542	DIODE-RECTIFIER;RU4AM,600V,2A,-	5	T0066	AA62-30173B	HEAT SINK-ES;-;T1.0,WHT,-,ALL,-,-,88X2	S.N.A
....4	DZ481	0403-001327	DIODE-ZENER;MTZJ18A,16.22-17.06V,500MW,D	5		0402-000231	DIODE-RECTIFIER;FMG-G265,600V,4A,TO-220F	
....4	DZ833	0406-001007	DIODE-TVS;P6KE180A,171/180/189V,600W,CAS	5		0402-000233	DIODE-RECTIFIER;FML-G12S,200V,5A,-,-	
....4	Q472	0502-001118	TR-PHOTOC;KSC2335,NPN,40W,TO-220,ST,30-6	5	CIS1	0205-001154	OIL-SILICON;G746,-,-	S.N.A
....4	IC806	0604-001032	PH-POWER-COUPLER;TR,170-260V,300mW,DIP-4,ST	4	IC801	AA96-00035A	ASSY HEAT SINK P;-;POWER,AA62-30181P,STR	S.N.A
....4	DU410	1201-000191	IC-OP AMP;4558,DIP,ST,8P,300MIL,DUAL,20V	5	M0081	6003-000333	SCREW-TAPTITE;RH,+2S,M3,L10,ZPC(YEL),SW	S.N.A
....4	IC012	1203-000162	IC-POS,ADJUST REG.;317,TO-220,3P,-,PLAS	5	T0066	AA62-30181P	HEAT SINK-ES;-;T1.0,WHITE,SCREW-HOLE(2	S.N.A
....4	IC012	1203-000165	IC-POS,ADJUST REG.;78R12,TO-220,4P,-,PL	5	IC063	AA13-00018A	IC HYBRID;-;STR-F6656,LF1351,5PIN,-,-	
....4	T0900	1404-001195	THERMISTOR-NTC;5.1ohm,15%,2900,27mW/C,BK	5	CIS1	0205-001154	OIL-SILICON;G746,-,-	S.N.A
....4	R815	2003-002162	R-METAL OXIDE(S);15KOHM,5%,3W,AG,TP,6X16	4	D854	AA96-00111C	ASSY HEAT SINK P;-;AA62-30013L,FML-G12S	S.N.A
....4	R815A	2003-002162	R-METAL OXIDE(S);15KOHM,5%,3W,AG,TP,6X16	5	M0081	6003-000333	SCREW-TAPTITE;RH,+2S,M3,L10,ZPC(YEL),SW	S.N.A
....4	R442	2008-000189	R-FUSIBLE;0.47ohm,10%,2W,AA,TP,6x15.5mm	5	T0066	AA62-30013L	HEAT SINK-ES;-;T1.0,WHT,-,44/22,-,WHT,-,-,-	S.N.A
....4	R465	2008-000282	R-FUSIBLE(S);0.47ohm,5%,1W,AA,TP,3.9x12m	5		0402-000233	DIODE-RECTIFIER;FML-G12S,200V,5A,-,-	
....4	R440	2008-001091	R-FUSIBLE(S);0.47OHM,10%,1/2W,AC,BK,2.5X	4	Q431	AA96-00289A	ASSY HEAT SINK P;-;POWER,AA62-30173G,2SD	S.N.A
....4	R445	2008-001091	R-FUSIBLE(S);0.47OHM,10%,1/2W,AC,BK,2.5X	5	M0081	6003-000333	SCREW-TAPTITE;RH,+2S,M3,L10,ZPC(YEL),SW	S.N.A
....4	R841	2008-001096	R-FUSIBLE(S);3.3OHM,5%,1/2W,AC,BK,2.5X6	5	T0105	AA60-30001A	WASHER-PLATE;M3,ID03.5,15X8.5,T1.0,SBHG	S.N.A
....4	C806	2201-000987	C-CERAMIC,DISC;2.2NF,20%,400V,Y5U,BK,12	5	T0066	AA62-30173G	HEAT SINK-ES;-;T2.2,SILVER,50mm,E-2-SI	S.N.A
....4	C807	2201-000987	C-CERAMIC,DISC;2.2NF,20%,400V,Y5U,BK,12	5		0502-000450	TR-POWER;2SD1887YD,NPN,1500V,800V,10A,7	
....4	C891	2201-000987	C-CERAMIC,DISC;2.2NF,20%,400V,Y5U,BK,12	5	CIS1	0205-001154	OIL-SILICON;G746,-,-	S.N.A
....4	C892	2201-000987	C-CERAMIC,DISC;2.2NF,20%,400V,Y5U,BK,12	4	D804	AA96-50310A	ASSY HEAT SINK P;-;POWER,AA62-30150C,RBV	S.N.A
....4	C477	2301-000213	C-FILM,LEAD-PEF;220nF,5%,250V,TP,21.5x11	5	M0081	6003-000333	SCREW-TAPTITE;RH,+2S,M3,L10,ZPC(YEL),SW	S.N.A
....4	C432	2303-000118	C-FILM,LEAD-PPF;10nF,5%,1.6KV,BK,31x19.5	5	T0063	AA60-30003A	WASHER;T1.5,SBHG-1	S.N.A
....4	C801	2306-000112	C-FILM,LEAD-PPF;100nF,20%,250V,BK,-,15mm	5	T0066	AA62-30150C	HEAT SINK-ES;-;A6063 EXTR,-,WHT,40(24.5)	S.N.A
....4	C802	2306-000112	C-FILM,LEAD-PPF;100nF,20%,250V,BK,-,15mm	5		0402-000549	DIODE-BRIDGE;RBV606,600V,6A,SIP-4,BK	
....4	C436	2306-000235	C-FILM,LEAD-PPF;560nF,5%,400V,BK,26x22.5	5	CIS1	0205-001154	OIL-SILICON;G746,-,-	S.N.A
....4	C438	2306-000357	C-FILM,LEAD-PPF;8.2nF,5%,1.6KV,BK,20x9.5	4	IC301	AA96-50381A	ASSY HEAT SINK P;-;AA62-30180B,LA7845	S.N.A
....4	C473	2306-000322	C-FILM,LEAD-PPF;12nF,5%,1.6KV,BK,29X20.5	5	M0081	6003-000333	SCREW-TAPTITE;RH,+2S,M3,L10,ZPC(YEL),SW	S.N.A
....4	C831	2306-000323	C-FILM,LEAD-PPF;2.2NF,5%,1.6KV,BK,23X9X1	5	T0066	AA62-30180B	HEAT SINK-ES;-;A6063 EXTR,-,2,WHT,70MM,-,	S.N.A
....4	C430	2306-000326	C-FILM,LEAD-PPF;4.7nF,5%,1.6KV,BK,28.5X1	5	T0088	1204-000517	IC-VERTICAL DEF.;LA7845,SIP,7P,-,PLASTIC	
....4	C431	2306-000326	C-FILM,LEAD-PPF;4.7nF,5%,1.6KV,BK,28.5X1	5	CIS1	0205-001154	OIL-SILICON;G746,-,-	S.N.A
....4	C474	2306-000326	C-FILM,LEAD-PPF;4.7nF,5%,1.6KV,BK,28.5X1	4	Q441	AA96-50383F	ASSY HEAT SINK P;-;AA62-30180D,2SD921	S.N.A
....4	C471	2306-001017	C-FILM,LEAD-PPF;680nF,5%,400V,TP,26x14.5	5	M0081	6003-000333	SCREW-TAPTITE;RH,+2S,M3,L10,ZPC(YEL),SW	S.N.A
....4	C812	2401-000701	C-AL;2200uF,20%,250V,GP,BK,35x70mm,10	5	T0066	AA62-30180D	HEAT SINK-ES;-;A6063 EXTR,-,2,WHT,50mm,-,	S.N.A
....4	C813	2401-000701	C-AL;2200uF,20%,250V,GP,BK,35x70mm,10	5		0502-001104	TR-POWER;2SD921,NPN,80W,TO-3P,BK,700-	
....4	C865	2401-000737	C-AL;2200uF,20%,50V,GP,BK,18x35.5,7.5	5	CIS1	0205-001154	OIL-SILICON;G746,-,-	S.N.A
....4	C868	2401-000737	C-AL;2200uF,20%,50V,GP,BK,18x35.5,7.5	4	Q433	AA96-50407A	ASSY HEAT SINK P;-;AA62-30154G,KSD73Y	S.N.A
....4	C876	2401-000787	C-AL;220uF,20%,160V,GP,BK,16x31.5mm,7.5	5	M0081	6003-000333	SCREW-TAPTITE;RH,+2S,M3,L10,ZPC(YEL),SW	S.N.A
....4	C862	2401-002225	C-AL;3300uF,20%,50V,WT,BK,22x41,7.5	5	T0066	AA62-30154G	HEAT SINK-ES;-;A6063 EXTR,-,WHT,50/16,-,	S.N.A
....4	C875	2401-002251	C-AL;470uF,20%,200V,GP,BK,25x40mm,1	5		0502-000298	TR-POWER;KSD73,NPN,30000mW,TO-220,TP,120	
....4	C842	2401-003370	C-AL;47uF,20%,450V,GP,BK,16X35.5,7.	5	CIS1	0205-001154	OIL-SILICON;G746,-,-	S.N.A
....4	L2514	3301-000374	BEAD-AXIAL;-;3.5x1.0x9.0mm,3000mA,TP,50	4	T0016	AA97-04936A	ASSY AUTO-SUB;PCJ522R,P51A	S.N.A
....4	T0121	3301-001201	CORE-FERRITE;AE,21x11x32mm,1500,280G	5	D435	0402-000132	DIODE-RECTIFIER;1N4004,400V,1A,DO-41,TP	
....4	RL802	3501-001040	RELAY-POWER;12VDC,500mW,10000mA,1FormA,1	5	D469	0402-000132	DIODE-RECTIFIER;1N4004,400V,1A,DO-41,TP	
....4	CN401	3711-003051	HEADER-BOARD TO CABLE;BOX,8P,1R,2.5mm,ST	5	D839	0402-000243	DIODE-RECTIFIER;RC2-V1,2KV,0.2A,DO-201,T	
....4	CN802	3711-003051	HEADER-BOARD TO CABLE;BOX,8P,1R,2.5mm,ST	5	D851	0402-000493	DIODE-RECTIFIER;1R5GU41,400V,1.5A,DO-15L	
....4	CN203	3711-003052	HEADER-BOARD TO CABLE;BOX,10P,1R,2.5mm,S	5	D440	0402-000534	DIODE-RECTIFIER;RG10V,400V,1.2A,DO-201,T	
....4	CN402	3711-003974	HEADER-BOARD TO CABLE;BOX,12P,1R,2.5mm,S	5	D441	0402-000534	DIODE-RECTIFIER;RG10V,400V,1.2A,DO-201,T	
....4	M0081	6003-001023	SCREW-TAPTITE;PWH,+B,M3,L10,ZPC(YEL),SW	S.N.A5	D445	0402-000534	DIODE-RECTIFIER;RG10V,400V,1.2A,DO-201,T	
....4	IC063	AA13-00033A	IC HYBRID;SVD001,7pin,0 to +70C	5	D433	0402-000537	DIODE-RECTIFIER;RH1A,600V,0.6A,DO-204AC	
....4	IC063	AA13-20002L	IC HYBRID;-;SE125N,SIP,3P,ERROR AMP	5	D302	0402-000546	DIODE-RECTIFIER;TVR10G,400V,1.0A,DO-41,T	
....4	T444	AA26-00032A	TRANS FBTV;-;FWZ-50A002,50,125V	5	D438	0402-000546	DIODE-RECTIFIER;TVR10G,400V,1.0A,DO-41,T	
....4	T432	AA26-00033A	TRANS-DUMMYY;-;12PIN,-,125,-,-,-,0.5o	5	D444	0402-000546	DIODE-RECTIFIER;TVR10G,400V,1.0A,DO-41,T	
....4	T802	AA26-00034A	TRANS SWITCHING;-;AC90-260V,-,UL/CSA	5	D472	0402-000546	DIODE-RECTIFIER;TVR10G,400V,1.0A,DO-41,T	
....4	T431	AA26-50001U	TRANS-H.DRIVE;-;28mH,-,-,105uH,-,-,-	5	D474	0402-000546	DIODE-RECTIFIER;TVR10G,400V,1.0A,DO-41,T	
....4	T461	AA26-50001U	TRANS-H.DRIVE;-;6.0mH,-,-,113uH,-,-,-	5	D805	0402-000546	DIODE-RECTIFIER;TVR10G,400V,1.0A,DO-41,T	
....4	T481	AA26-50001W	TRANS-H.DRIVE;-;830uH,-,-,23uH,-,-,-	5	D834	0402-000546	DIODE-RECTIFIER;TVR10G,400V,1.0A,DO-41,T	

Level	Loc.No.	Code No.	Description;Specification	Remark	Level	Loc.No.	Code No.	Description;Specification	Remark
....5	D842	0402-000546	DIODE-RECTIFIER;TVR10G,400V,1.0A,DO-41,T	5	R407	2004-001897	R-METAL(S);43.2Kohm,1%,1/2W,AA,TP,2.5x6.	
....5	D843	0402-000546	DIODE-RECTIFIER;TVR10G,400V,1.0A,DO-41,T	5	R303	2004-001984	R-METAL(S);26.7Kohm,1%,1/2W,AA,TP,2.4x6.	
....5	DZ837	0403-000170	DIODE-ZENER;1N4762,5%,1000mW,DO-41,TP	5	R305	2004-001984	R-METAL(S);26.7Kohm,1%,1/2W,AA,TP,2.4x6.	
....5	DZ841	0403-000691	DIODE-ZENER;R2K,170V,170-200V,-,TP	5	R471	2004-002011	R-METAL(S);110Kohm,1%,1/2W,AA,TP,2.4x6.4	
....5	DZ842	0403-000700	DIODE-ZENER;TZP33A,5%,1000MW,DO-41,TP	5	R408	2004-002016	R-METAL(S);15Kohm,1%,1/2W,AA,TP,2.5x6.5m	
....5	DZ473	0403-000720	DIODE-ZENER;MTZJ9.1B,8.57-9.01V,500MW,DO	5	R466	2004-002019	R-METAL(S);33Kohm,1%,1/2W,AA,TP,2.5x6.5m	
....5	DZ840	0403-001039	DIODE-ZENER;MA2560,52-60V,1000mW,DO-41,T	5	R467	2004-002019	R-METAL(S);33Kohm,1%,1/2W,AA,TP,2.5x6.5m	
....5	DZ306	0403-001167	DIODE-ZENER;MTZJ30D,29.02-30.51V,500MW,D	5	R441	2008-000189	R-FUSIBLE;0.47ohm,10%,2W,AF,TP,6x15.5mm	
....5	DZ413	0403-001319	DIODE-ZENER;MTZJ4.7C,4.68-4.93V,500MW,DO	5	R472	2008-000252	R-FUSIBLE(S);0.47ohm,10%,1/2W,AF,TP,2.5x	
....5	DZ858	0403-001325	DIODE-ZENER;MTZJ15C,14.42-15.02V,500MW,D	5	R424	2008-000299	R-FUSIBLE(S);47ohm,5%,2W,AF,TP,3.9x10mm	
....5	DZ301	0403-001327	DIODE-ZENER;MTZJ18A,16.22-17.06V,500MW,D	5	R462	2008-001033	R-FUSIBLE(S);10ohm,5%,2W,AF,TP,3.9x10mm	
....5	DZ304	0403-001327	DIODE-ZENER;MTZJ18A,16.22-17.06V,500MW,D	5	R850	2008-001079	R-FUSIBLE(S);4.70hm,5%,2W,AF,TP,3.9X10MM	
....5	DZ305	0403-001329	DIODE-ZENER;MTZJ24B,22.75-23.73V,500MW,D	5	VR471	2103-001024	VR-SEMI;50Kohm,25%,0.3W,TP	
....5	DZ307	0403-001329	DIODE-ZENER;MTZJ24B,22.75-23.73V,500MW,D	5	C468	2201-000119	C-CERAMIC,DISC;100NF,+80-20%,50V,Y5V,TP,	
....5	Q332	0501-000283	TR-SMALL SIGNAL;KSA539,PNP,400mW,TO-92,T	5	C452	2201-000132	C-CERAMIC,DISC;0.1NF,10%,500V,Y5P,TP,6.5	
....5	Q301	0501-000389	TR-SMALL SIGNAL;KSC815,NPN,400mW,TO-92,T	5	C455	2201-000132	C-CERAMIC,DISC;0.1NF,10%,500V,Y5P,TP,6.5	
....5	D801	1405-000152	VARIATOR;560V,2500A,14x8.5mm,TP	5	C457	2201-000132	C-CERAMIC,DISC;0.1NF,10%,500V,Y5P,TP,6.5	
....5	D802	1405-000152	VARIATOR;560V,2500A,14x8.5mm,TP	5	C484	2201-000132	C-CERAMIC,DISC;0.1NF,10%,500V,Y5P,TP,6.5	
....5	R808	2001-000002	R-CARBON(S);200KOHM,5%,1/2W,AA,TP,2.4X6.	5	C419	2201-000180	C-CERAMIC,DISC;10NF,10%,50V,Y5V,TP,7X3MM	
....5	R809	2001-000002	R-CARBON(S);200KOHM,5%,1/2W,AA,TP,2.4X6.	5	C469	2201-000291	C-CERAMIC,DISC;1NF,10%,500V,Y5P,TP,7.5X3	
....5	R308	2001-000016	R-CARBON(S);10HM,5%,1/2W,AA,TP,2.4X6.4MM	5	C302	2201-000017	C-CERAMIC,DISC;1nF,10%,50V,Y5P,-,5x3.5mm	
....5	R470	2001-000028	R-CARBON(S);100OHM,5%,1/2W,AA,TP,2.4X6.4	5	C304	2201-000017	C-CERAMIC,DISC;1nF,10%,50V,Y5P,-,5x3.5mm	
....5	R488	2001-000273	R-CARBON;100KOHM,5%,1/8W,AA,TP,1.8X3.2MM	5	C833	2201-000017	C-CERAMIC,DISC;1nF,10%,50V,Y5P,-,5x3.5mm	
....5	R312	2001-000290	R-CARBON;10KOHM,5%,1/8W,AA,TP,1.8X3.2MM	5	C816	2201-000332	C-CERAMIC,DISC;2.2nF,20%,250V,Y5U,-,9x4m	
....5	R419	2001-000290	R-CARBON;10KOHM,5%,1/8W,AA,TP,1.8X3.2MM	5	C817	2201-000332	C-CERAMIC,DISC;2.2nF,20%,250V,Y5U,-,9x4m	
....5	R313	2001-000761	R-CARBON;430OHM,5%,1/8W,AA,TP,1.8X3.2MM	5	C819	2201-000332	C-CERAMIC,DISC;2.2nF,20%,250V,Y5U,-,9x4m	
....5	R314	2001-000761	R-CARBON;430OHM,5%,1/8W,AA,TP,1.8X3.2MM	5	C815	2201-000406	C-CERAMIC,DISC;0.27NF,10%,2KV,Y5P,TP,6.3	
....5	R410	2001-000864	R-CARBON;56KOHM,5%,1/8W,AA,TP,1.8X3.2MM	5	C809	2201-000551	C-CERAMIC,DISC;0.47NF,10%,1KV,Y5P,TP,6.3	
....5	R871	2001-001088	R-CARBON(S);1KOHM,5%,1/2W,AA,TP,2.4X6.4M	5	C851	2201-000551	C-CERAMIC,DISC;0.47NF,10%,1KV,Y5P,TP,6.3	
....5	R872	2001-001088	R-CARBON(S);1KOHM,5%,1/2W,AA,TP,2.4X6.4M	5	C854	2201-000551	C-CERAMIC,DISC;0.47NF,10%,1KV,Y5P,TP,6.3	
....5	R434	2001-001093	R-CARBON(S);2.2KOHM,5%,1/2W,AA,TP,2.4X6.	5	C861	2201-000551	C-CERAMIC,DISC;0.47NF,10%,1KV,Y5P,TP,6.3	
....5	R834	2001-001097	R-CARBON(S);2.4KOHM,5%,1/2W,AA,TP,2.4X6.	5	C864	2201-000551	C-CERAMIC,DISC;0.47NF,10%,1KV,Y5P,TP,6.3	
....5	R837	2001-001097	R-CARBON(S);2.4KOHM,5%,1/2W,AA,TP,2.4X6.	5	C871	2201-000551	C-CERAMIC,DISC;0.47NF,10%,1KV,Y5P,TP,6.3	
....5	R838	2001-001097	R-CARBON(S);2.4KOHM,5%,1/2W,AA,TP,2.4X6.	5	C874	2201-000551	C-CERAMIC,DISC;0.47NF,10%,1KV,Y5P,TP,6.3	
....5	R332	2001-001107	R-CARBON(S);220ohm,5%,1/2W,AA,TP,2.4x6.4	5	C305	2201-002022	C-CERAMIC,DISC;0.0050nF,0.25pF,500V,COG,	
....5	R333	2001-001107	R-CARBON(S);220ohm,5%,1/2W,AA,TP,2.4x6.4	5	C814	2201-002041	C-CERAMIC,DISC;0.82NF,10%,2KV,Y5P,TP,9X5	
....5	R334	2001-001107	R-CARBON(S);220ohm,5%,1/2W,AA,TP,2.4x6.4	5	C478	2301-000020	C-FILM,LEAD-PEF;27nF,5%,100V,TP,7.3x4x12	
....5	R848	2001-001110	R-CARBON(S);240KOHM,5%,1/2W,AA,TP,2.4X6.	5	C479	2301-000020	C-FILM,LEAD-PEF;2.2nF,5%,200V,TP,11.0x6.	
....5	R468	2001-001122	R-CARBON(S);3.9KOHM,5%,1/2W,AA,TP,2.4X6.	5	C412	2301-000383	C-FILM,LEAD-PEF;10nF,5%,50V,TP,6x7x3.2mm	
....5	R433	2001-001155	R-CARBON(S);5.6KOHM,5%,1/2W,AA,TP,2.4X6.	5	C818	2301-001216	C-FILM,LEAD-PPF;47nF,5%,630V,TP,20x14.5x	
....5	R856	2001-001155	R-CARBON(S);5.6KOHM,5%,1/2W,AA,TP,2.4X6.	5	C301	2305-000149	C-FILM,LEAD-PEF;100nF,5%,100V,TP,12x12.5	
....5	R857	2001-001155	R-CARBON(S);5.6KOHM,5%,1/2W,AA,TP,2.4X6.	5	C303	2305-000149	C-FILM,LEAD-PEF;100nF,5%,100V,TP,12x12.5	
....5	R832	2001-001178	R-CARBON(S);680OHM,5%,1/2W,AA,TP,2.4X6.4	5	C311	2305-000149	C-FILM,LEAD-PEF;100nF,5%,100V,TP,12x12.5	
....5	R835	2001-001188	R-CARBON(S);8.2KOHM,5%,1/2W,AA,TP,2.4X6.	5	C309	2305-000285	C-FILM,LEAD-PEF;220NF,5%,100V,TP,10.5X5.	
....5	R855	2001-001196	R-CARBON(S);9.1KOHM,5%,1/2W,AA,TP,2.4X6.	5	C877	2305-000427	C-FILM,LEAD-PEF;47nF,5%,100V,TP,7.5x12.5	
....5	R825	2002-001010	R-COMPOSITION;1.8Mohm,5%,1/2W,AA,TP,3.7x	5	C428	2306-000122	C-FILM,LEAD-PPF;100nF,5%,50V,TP,7.3x4.0x	
....5	R891	2002-001013	R-COMPOSITION;4.7Mohm,5%,1/2W,AA,TP,3.7x	5	C835	2401-000030	C-AL;22uF,20%,25V,GP,TP,5x11.5	
....5	R428	2002-001017	R-COMPOSITION;1Kohm,10%,1/2W,AA,TP,3.7x9	5	C852	2401-000133	C-AL;1000uF,20%,16V,GP,TP,10x20.5	
....5	R428A	2002-001017	R-COMPOSITION;1Kohm,10%,1/2W,AA,TP,3.7x9	5	C857	2401-000133	C-AL;1000uF,20%,16V,GP,TP,10x20.5	
....5	R307	2003-000436	R-METAL OXIDE(S);1.5ohm,5%,1W,AF,TP,3.3x	5	C866	2401-000192	C-AL;1000uF,20%,50V,GP,TP,16x25.7,5	
....5	R429	2003-000586	R-METAL OXIDE(S);22Kohm,5%,2W,AF,TP,4x12	5	C869	2401-000192	C-AL;1000uF,20%,50V,GP,TP,16x25.7,5	
....5	R430	2003-000586	R-METAL OXIDE(S);22Kohm,5%,2W,AF,TP,4x12	5	C441	2401-000262	C-AL;100uF,20%,160V,HR,TP,16x25.7,5	
....5	R444	2003-000995	R-METAL OXIDE(S);3.3Kohm,5%,2W,AF,TP,3.9	5	C450	2401-000262	C-AL;100uF,20%,160V,HR,TP,16x25.7,5	
....5	R463	2003-001024	R-METAL OXIDE(S);150ohm,5%,2W,AF,TP,3.9x	5	C472	2401-000262	C-AL;100uF,20%,160V,HR,TP,16x25.7,5	
....5	R833	2003-001024	R-METAL OXIDE(S);150ohm,5%,2W,AF,TP,3.9x	5	C413	2401-000360	C-AL;100uF,20%,50V,GP,TP,8x11.5,5	
....5	R427	2003-001031	R-METAL OXIDE(S);2.4ohm,5%,2W,AF,TP,3.9x	5	C418	2401-000360	C-AL;100uF,20%,50V,GP,TP,8x11.5,5	
....5	R427A	2003-001031	R-METAL OXIDE(S);2.4ohm,5%,2W,AF,TP,3.9x	5	C426	2401-000360	C-AL;100uF,20%,50V,GP,TP,8x11.5,5	
....5	R842	2003-001040	R-METAL OXIDE(S);47Kohm,5%,2W,AF,TP,3.9x	5	C467	2401-000360	C-AL;100uF,20%,50V,GP,TP,8x11.5,5	
....5	R842A	2003-001040	R-METAL OXIDE(S);47Kohm,5%,2W,AF,TP,3.9x	5	C307	2401-000365	C-AL;100uF,20%,50V,WT,TP,10x12.5mm,	
....5	R486	2003-002014	R-METAL OXIDE(S);0.6ohm,5%,2W,AF,TP,3.9x	5	C308	2401-000365	C-AL;100uF,20%,50V,WT,TP,10x12.5mm,	
....5	R844	2003-002020	R-METAL OXIDE(S);56Kohm,5%,2W,AF,TP,3.9x	5	C483	2401-000660	C-AL;2.2uF,20%,50V,GP,TP,5x11.5	
....5	R845	2003-002020	R-METAL OXIDE(S);56Kohm,5%,2W,AF,TP,3.9x	5	C472	2401-000703	C-AL;2200uF,20%,25V,GP,-,12.5x25mm,	
....5	R846	2003-002020	R-METAL OXIDE(S);56Kohm,5%,2W,AF,TP,3.9x	5	C476	2401-001017	C-AL;3.3uF,20%,50V,GP,TP,5X11.5	
....5	R847	2003-002020	R-METAL OXIDE(S);56Kohm,5%,2W,AF,TP,3.9x	5	C451	2401-001160	C-AL;33uF,20%,160V,GP,-,16x25mm,7.5	
....5	R306	2003-002070	R-METAL OXIDE;1ohm,5%,2W,AF,TP,3.9x10mm	5	C417	2401-001397	C-AL;470uF,20%,25V,GP,TP,10x16,5	
....5	R310	2003-002150	R-METAL OXIDE;270OHM,5%,2W,AG,TP,6X16MM	5	C454	2401-001429	C-AL;470uF,20%,50V,GP,TP,13x20.5	
....5	R812	2003-002151	R-METAL OXIDE;18KOHM,5%,2W,AG,TP,6X16MM	5	C445	2401-001622	C-AL;6.8uF,20%,50V,BP,TP,16x25mm,7.	
....5	R814	2003-002151	R-METAL OXIDE;18KOHM,5%,2W,AG,TP,6X16MM	5	C873	2401-001998	C-AL;1000uF,20%,25V,GP,TP,10x20.5mm	
....5	R426	2003-002153	R-METAL OXIDE;4.7OHM,5%,2W,AG,TP,6X16MM	5	C453	2401-002288	C-AL;470uF,20%,25V,WT,TP,10x20.5	
....5	R464	2003-002158	R-METAL OXIDE;0.68OHM,5%,1W,AG,TP,4.3X12	5	C458	2401-002288	C-AL;470uF,20%,25V,WT,TP,10x20.5	
....5	R412	2004-000869	R-METAL;3Kohm,1%,1/8W,AA,TP,1.8x3.2mm	5	C427	2401-002300	C-AL;47uF,20%,50V,GP,TP,6.3x11,5	
....5	R406	2004-001390	R-METAL(S);1Kohm,2%,1/2W,AA,TP,2.4x6.4mm	5	C834	2401-003028	C-AL;100uF,20%,25V,WT,TP,6.3x11.5	
....5	R469	2004-001390	R-METAL(S);1Kohm,2%,1/2W,AA,TP,2.4x6.4mm	5	C437	2401-003114	C-AL;4.7uF,20%,250V,WT,TP,10x16,5	
....5	R409	2004-001394	R-METAL(S);2Kohm,1%,1/2W,AA,TP,2.4x6.4mm	5	C855	2401-003141	C-AL;2200uF,20%,25V,WT,TP,13x25.5mm	
....5	R473	2004-001395	R-METAL(S);330Kohm,2%,1/2W,AA,TP,2.4x6.4	5	L492	2701-000115	INDUCTOR-AXIAL;10UH,10%,3070	
....5	R301	2004-001897	R-METAL(S);43.2Kohm,1%,1/2W,AA,TP,2.5x6.	5	F101	2901-000297	FILTER-EMI ON BOARD;-3A,-,-,3.5x5,TP,-	
....5	R302	2004-001897	R-METAL(S);43.2Kohm,1%,1/2W,AA,TP,2.5x6.	5	F101	2901-000297	FILTER-EMI ON BOARD;-3A,-,-,3.5x5,TP,-	

Level	Loc.No.	Code No.	Description;Specification	Remark	Level	Loc.No.	Code No.	Description;Specification	Remark
....5	EY38	6042-000002	EYELET;ID1.5,OD2,L2.8,NI+SN,BSP3-1/2H	5	GT09	BH71-40300A	PIN-HINGE;BRASS,D2.36!,HEAT/SINK,SN	S.N.A
....5	EY39	6042-000002	EYELET;ID1.5,OD2,L2.8,NI+SN,BSP3-1/2H	5	GT10	BH71-40300A	PIN-HINGE;BRASS,D2.36!,HEAT/SINK,SN	S.N.A
....5	EY40	6042-000002	EYELET;ID1.5,OD2,L2.8,NI+SN,BSP3-1/2H	5	GT11	BH71-40300A	PIN-HINGE;BRASS,D2.36!,HEAT/SINK,SN	S.N.A
....5	EY41	6042-000002	EYELET;ID1.5,OD2,L2.8,NI+SN,BSP3-1/2H	5	GT12	BH71-40300A	PIN-HINGE;BRASS,D2.36!,HEAT/SINK,SN	S.N.A
....5	EY44	6042-000002	EYELET;ID1.5,OD2,L2.8,NI+SN,BSP3-1/2H	5	GT14	BH71-40300A	PIN-HINGE;BRASS,D2.36!,HEAT/SINK,SN	S.N.A
....5	EY45	6042-000002	EYELET;ID1.5,OD2,L2.8,NI+SN,BSP3-1/2H	5	GT15	BH71-40300A	PIN-HINGE;BRASS,D2.36!,HEAT/SINK,SN	S.N.A
....5	EY46	6042-000002	EYELET;ID1.5,OD2,L2.8,NI+SN,BSP3-1/2H	5	GT16	BH71-40300A	PIN-HINGE;BRASS,D2.36!,HEAT/SINK,SN	S.N.A
....5	EY47	6042-000002	EYELET;ID1.5,OD2,L2.8,NI+SN,BSP3-1/2H	5	GT17	BH71-40300A	PIN-HINGE;BRASS,D2.36!,HEAT/SINK,SN	S.N.A
....5	EY48	6042-000002	EYELET;ID1.5,OD2,L2.8,NI+SN,BSP3-1/2H	5	GT403	BH71-40300A	PIN-HINGE;BRASS,D2.36!,HEAT/SINK,SN	S.N.A
....5	EY49	6042-000002	EYELET;ID1.5,OD2,L2.8,NI+SN,BSP3-1/2H	5	GT404	BH71-40300A	PIN-HINGE;BRASS,D2.36!,HEAT/SINK,SN	S.N.A
....5	EY50	6042-000002	EYELET;ID1.5,OD2,L2.8,NI+SN,BSP3-1/2H	5	GT405	BH71-40300A	PIN-HINGE;BRASS,D2.36!,HEAT/SINK,SN	S.N.A
....5	EY51	6042-000002	EYELET;ID1.5,OD2,L2.8,NI+SN,BSP3-1/2H	5	GT801	BH71-40300A	PIN-HINGE;BRASS,D2.36!,HEAT/SINK,SN	S.N.A
....5	EY52	6042-000002	EYELET;ID1.5,OD2,L2.8,NI+SN,BSP3-1/2H	5	GT802	BH71-40300A	PIN-HINGE;BRASS,D2.36!,HEAT/SINK,SN	S.N.A
....5	EY53	6042-000002	EYELET;ID1.5,OD2,L2.8,NI+SN,BSP3-1/2H	5	GT803	BH71-40300A	PIN-HINGE;BRASS,D2.36!,HEAT/SINK,SN	S.N.A
....5	EY54	6042-000002	EYELET;ID1.5,OD2,L2.8,NI+SN,BSP3-1/2H	5	GT810	BH71-40300A	PIN-HINGE;BRASS,D2.36!,HEAT/SINK,SN	S.N.A
....5	EY55	6042-000002	EYELET;ID1.5,OD2,L2.8,NI+SN,BSP3-1/2H	5	GT811	BH71-40300A	PIN-HINGE;BRASS,D2.36!,HEAT/SINK,SN	S.N.A
....5	EY56	6042-000002	EYELET;ID1.5,OD2,L2.8,NI+SN,BSP3-1/2H	5	GT812	BH71-40300A	PIN-HINGE;BRASS,D2.36!,HEAT/SINK,SN	S.N.A
....5	EY57	6042-000002	EYELET;ID1.5,OD2,L2.8,NI+SN,BSP3-1/2H	5	GT813	BH71-40300A	PIN-HINGE;BRASS,D2.36!,HEAT/SINK,SN	S.N.A
....5	EY58	6042-000002	EYELET;ID1.5,OD2,L2.8,NI+SN,BSP3-1/2H	5	GT814	BH71-40300A	PIN-HINGE;BRASS,D2.36!,HEAT/SINK,SN	S.N.A
....5	EY59	6042-000002	EYELET;ID1.5,OD2,L2.8,NI+SN,BSP3-1/2H	5	PCB	AA41-00197C	PCB;PCJ533R,CEM-1,1L,C,1.6T,330X245,P51A	S.N.A
....5	EY60	6042-000002	EYELET;ID1.5,OD2,L2.8,NI+SN,BSP3-1/2H	4	CIS1	AA65-30018A	CLAMPER CORE-WIRE;DONG-A,NYLON-66,-,-,-	S.N.A
....5	EY61	6042-000002	EYELET;ID1.5,OD2,L2.8,NI+SN,BSP3-1/2H	4	Q473	AA96-00037B	ASSY HEAT SINK P;SCREVA62-30181N,2SC412	S.N.A
....5	EY62	6042-000002	EYELET;ID1.5,OD2,L2.8,NI+SN,BSP3-1/2H	5	CIS1	0205-001154	OIL-SILICON;GT46,-,-	S.N.A
....5	EY63	6042-000002	EYELET;ID1.5,OD2,L2.8,NI+SN,BSP3-1/2H	5	M0081	6003-000333	SCREW-TAPTITE;RH,+,2S,M3,L10,ZPC(YEL),SW	S.N.A
....5	EY64	6042-000002	EYELET;ID1.5,OD2,L2.8,NI+SN,BSP3-1/2H	5	T0105	AA60-30001A	WASHER-PLATE;M3,ID3.5,15X8.5,T1.0,5BHG	S.N.A
....5	EY67	6042-000002	EYELET;ID1.5,OD2,L2.8,NI+SN,BSP3-1/2H	5	T0066	AA62-30181N	HEAT SINK-ES,-,-,T1.0,WHITE,SCREW-HOLE(2	S.N.A
....5	EY68	6042-000002	EYELET;ID1.5,OD2,L2.8,NI+SN,BSP3-1/2H	5	CIS	0502-001100	TR-POWER;2SC4125,NPN,70000mW,TO-3PML,ST,	S.N.A
....5	EY69	6042-000002	EYELET;ID1.5,OD2,L2.8,NI+SN,BSP3-1/2H	5	Q409	0505-001722	FET-SILICON;IRFS640B,N,200V,18A,0.18OHM,	S.N.A
....5	EY70	6042-000002	EYELET;ID1.5,OD2,L2.8,NI+SN,BSP3-1/2H	4	FD802	3601-001348	FUSE-CARTRIDGE;250V,6.3A,Time-Lag,Glass,	S.N.A
....5	EY71	6042-000002	EYELET;ID1.5,OD2,L2.8,NI+SN,BSP3-1/2H	4	FD802	3601-001007	FUSE-CARTRIDGE;250V,6.3A,TIME-LAG,GLASS,	S.N.A
....5	EY72	6042-000002	EYELET;ID1.5,OD2,L2.8,NI+SN,BSP3-1/2H	4	FD802	3601-001007	FUSE-CARTRIDGE;250V,6.3A,TIME-LAG,GLASS,	S.N.A
....5	EY73	6042-000002	EYELET;ID1.5,OD2,L2.8,NI+SN,BSP3-1/2H	4	R817	2009-001096	R-METAL PLATE;0.07ohm,5%V,CL,BK,5x14x1	S.N.A
....5	EY74	6042-000002	EYELET;ID1.5,OD2,L2.8,NI+SN,BSP3-1/2H	4	T0245	0202-001522	SOLDER-WIRE FLUX;LFA3-107,-,D1.2,96.5Sn/	S.N.A
....5	EY75	6042-000002	EYELET;ID1.5,OD2,L2.8,NI+SN,BSP3-1/2H	3	T0092	AA95-01849C	ASSY SUB-PCB,TERMINAL;PCJ522R/XAA,P51A,A	S.N.A
....5	EY76	6042-000002	EYELET;ID1.5,OD2,L2.8,NI+SN,BSP3-1/2H	4	IC104	0801-000961	IC-CMOS LOGIC;4053,MULTIPLEXER,DIP,16P,30	S.N.A
....5	EY79	6042-000002	EYELET;ID1.5,OD2,L2.8,NI+SN,BSP3-1/2H	4	IC104	0801-000961	IC-CMOS LOGIC;4053,MULTIPLEXER,DIP,16P,30	S.N.A
....5	EY80	6042-000002	EYELET;ID1.5,OD2,L2.8,NI+SN,BSP3-1/2H	4	IC905	0904-001121	IC-I/O SUPPORT CHIP;8574,8BIT,DIP,16P,30	S.N.A
....5	EY81	6042-000002	EYELET;ID1.5,OD2,L2.8,NI+SN,BSP3-1/2H	4	IC106	1001-000212	IC-VIDEO SWITCH;TA8851,-,DIP,54P,49.3X15	S.N.A
....5	EY82	6042-000002	EYELET;ID1.5,OD2,L2.8,NI+SN,BSP3-1/2H	4	DU410	1201-000191	IC-OP AMP;4558,DIP,ST,8P,300MIL,DUAL,20V	S.N.A
....5	EY83	6042-000002	EYELET;ID1.5,OD2,L2.8,NI+SN,BSP3-1/2H	4	IC601	1204-001222	IC-AUDIO PROCESSOR;TDA7429S,DIP,42P,-,PL	S.N.A
....5	EY84	6042-000002	EYELET;ID1.5,OD2,L2.8,NI+SN,BSP3-1/2H	4	RN902	2011-000160	R-NET;10Kohm,5%,1/8W,A,SIP,9P,TP	S.N.A
....5	EY85	6042-000002	EYELET;ID1.5,OD2,L2.8,NI+SN,BSP3-1/2H	4	CNY02	3711-003601	HEADER-BOARD TO CABLE;BOX,12P,1R,2.5mm,A	S.N.A
....5	EY86	6042-000002	EYELET;ID1.5,OD2,L2.8,NI+SN,BSP3-1/2H	4	CN902	3711-003630	CONNECTOR-BACK PANEL;32P,BOX,MALE,ANGLE,	S.N.A
....5	EY87	6042-000002	EYELET;ID1.5,OD2,L2.8,NI+SN,BSP3-1/2H	4	CN902	3711-003630	CONNECTOR-BACK PANEL;32P,BOX,MALE,ANGLE,	S.N.A
....5	EY88	6042-000002	EYELET;ID1.5,OD2,L2.8,NI+SN,BSP3-1/2H	4	JKV05	3722-000144	JACK-PHONE;6P/5C,3.6PI,MBAG,BLACK,-	S.N.A
....5	EY89	6042-000002	EYELET;ID1.5,OD2,L2.8,NI+SN,BSP3-1/2H	4	JKV02	3722-000544	JACK-VHS;4P,11.5mm,AG,BLK,N	S.N.A
....5	EY90	6042-000002	EYELET;ID1.5,OD2,L2.8,NI+SN,BSP3-1/2H	4	JKV01	3722-001039	JACK-PIN;9P,3.4mm,SN,BLK,#16-22	S.N.A
....5	EY91	6042-000002	EYELET;ID1.5,OD2,L2.8,NI+SN,BSP3-1/2H	4	JKV06	3722-001382	JACK-PIN;5P(9P),3.4MM,NI,R/W/G/BLUE,-	S.N.A
....5	EY92	6042-000002	EYELET;ID1.5,OD2,L2.8,NI+SN,BSP3-1/2H	4	CIS1	AA65-30105B	CLAMPER CORE-WIRE;ALL MODEL,NYLON 66,V2,	S.N.A
....5	EY93	6042-000002	EYELET;ID1.5,OD2,L2.8,NI+SN,BSP3-1/2H	4	T0016	AA97-04945A	ASSY AUTO-SUB;PCJ522R/XAA,P51A	S.N.A
....5	EY94	6042-000002	EYELET;ID1.5,OD2,L2.8,NI+SN,BSP3-1/2H	5	DZ603	0403-000701	DIODE-ZENER;TZP5.1A,5%,1000MW,DO-41,TP	S.N.A
....5	EY95	6042-000002	EYELET;ID1.5,OD2,L2.8,NI+SN,BSP3-1/2H	5	DZV01	0403-000720	DIODE-ZENER;MTZJ9.1B,8.57-9.01V,500MW,DO	S.N.A
....5	EY96	6042-000002	EYELET;ID1.5,OD2,L2.8,NI+SN,BSP3-1/2H	5	DZV04	0403-000720	DIODE-ZENER;MTZJ9.1B,8.57-9.01V,500MW,DO	S.N.A
....5	EY97	6042-000002	EYELET;ID1.5,OD2,L2.8,NI+SN,BSP3-1/2H	5	DZV07	0403-000720	DIODE-ZENER;MTZJ9.1B,8.57-9.01V,500MW,DO	S.N.A
....5	EY98	6042-000002	EYELET;ID1.5,OD2,L2.8,NI+SN,BSP3-1/2H	5	DZV09	0403-000720	DIODE-ZENER;MTZJ9.1B,8.57-9.01V,500MW,DO	S.N.A
....5	EY99	6042-000002	EYELET;ID1.5,OD2,L2.8,NI+SN,BSP3-1/2H	5	DZV11	0403-000720	DIODE-ZENER;MTZJ9.1B,8.57-9.01V,500MW,DO	S.N.A
....5	EL09	6042-000001	EYELET;ID2.2,OD2.7,L3.1,NI+SN,BSP3-1/2H	S.N.A5	DZV13	0403-000720	DIODE-ZENER;MTZJ9.1B,8.57-9.01V,500MW,DO	S.N.A
....5	EL10	6042-000001	EYELET;ID2.2,OD2.7,L3.1,NI+SN,BSP3-1/2H	S.N.A5	DZV15	0403-000720	DIODE-ZENER;MTZJ9.1B,8.57-9.01V,500MW,DO	S.N.A
....5	EL11	6042-000001	EYELET;ID2.2,OD2.7,L3.1,NI+SN,BSP3-1/2H	S.N.A5	DZV17	0403-000720	DIODE-ZENER;MTZJ9.1B,8.57-9.01V,500MW,DO	S.N.A
....5	EL12	6042-000001	EYELET;ID2.2,OD2.7,L3.1,NI+SN,BSP3-1/2H	S.N.A5	DZV19	0403-000720	DIODE-ZENER;MTZJ9.1B,8.57-9.01V,500MW,DO	S.N.A
....5	EL13	6042-000001	EYELET;ID2.2,OD2.7,L3.1,NI+SN,BSP3-1/2H	S.N.A5	DZV23	0403-000720	DIODE-ZENER;MTZJ9.1B,8.57-9.01V,500MW,DO	S.N.A
....5	EL14	6042-000001	EYELET;ID2.2,OD2.7,L3.1,NI+SN,BSP3-1/2H	S.N.A5	DZV24	0403-000720	DIODE-ZENER;MTZJ9.1B,8.57-9.01V,500MW,DO	S.N.A
....5	EL15	6042-000001	EYELET;ID2.2,OD2.7,L3.1,NI+SN,BSP3-1/2H	S.N.A5	DZV25	0403-000720	DIODE-ZENER;MTZJ9.1B,8.57-9.01V,500MW,DO	S.N.A
....5	EL18	6042-000001	EYELET;ID2.2,OD2.7,L3.1,NI+SN,BSP3-1/2H	S.N.A5	QV02	0501-000283	TR-SMALL SIGNAL;KSA539,PNP,400mW,TO-92,T	S.N.A
....5	EL19	6042-000001	EYELET;ID2.2,OD2.7,L3.1,NI+SN,BSP3-1/2H	S.N.A5	QV01	0501-000389	TR-SMALL SIGNAL;KSC815,NPN,400mW,TO-92,T	S.N.A
....5	EL20	6042-000001	EYELET;ID2.2,OD2.7,L3.1,NI+SN,BSP3-1/2H	S.N.A5	QV05	0501-000389	TR-SMALL SIGNAL;KSC815,NPN,400mW,TO-92,T	S.N.A
....5	EL21	6042-000001	EYELET;ID2.2,OD2.7,L3.1,NI+SN,BSP3-1/2H	S.N.A5	QV06	0501-000389	TR-SMALL SIGNAL;KSC815,NPN,400mW,TO-92,T	S.N.A
....5	EL22	6042-000001	EYELET;ID2.2,OD2.7,L3.1,NI+SN,BSP3-1/2H	S.N.A5	QV07	0501-000389	TR-SMALL SIGNAL;KSC815,NPN,400mW,TO-92,T	S.N.A
....5	EL25	6042-000001	EYELET;ID2.2,OD2.7,L3.1,NI+SN,BSP3-1/2H	S.N.A5	RV04	2001-000003	R-CARBON;330ohm,5%,1/8W,AA,TP,1.8x3.2mm	S.N.A
....5	GT01	BH71-40300A	PIN-HINGE;BRASS,D2.36!,HEAT/SINK,SN	S.N.A5	RV07	2001-000019	R-CARBON(S);100HM,5%,1/2W,AA,TP,2.4X6.4M	S.N.A
....5	GT02	BH71-40300A	PIN-HINGE;BRASS,D2.36!,HEAT/SINK,SN	S.N.A5	RV11	2001-000019	R-CARBON(S);100HM,5%,1/2W,AA,TP,2.4X6.4M	S.N.A
....5	GT03	BH71-40300A	PIN-HINGE;BRASS,D2.36!,HEAT/SINK,SN	S.N.A5	RV15	2001-000019	R-CARBON(S);100HM,5%,1/2W,AA,TP,2.4X6.4M	S.N.A
....5	GT04	BH71-40300A	PIN-HINGE;BRASS,D2.36!,HEAT/SINK,SN	S.N.A5	RV18	2001-000019	R-CARBON(S);100HM,5%,1/2W,AA,TP,2.4X6.4M	S.N.A
....5	GT05	BH71-40300A	PIN-HINGE;BRASS,D2.36!,HEAT/SINK,SN	S.N.A5	RV21	2001-000019	R-CARBON(S);100HM,5%,1/2W,AA,TP,2.4X6.4M	S.N.A
....5	GT06	BH71-40300A	PIN-HINGE;BRASS,D2.36!,HEAT/SINK,SN	S.N.A5	RV24	2001-000019	R-CARBON(S);100HM,5%,1/2W,AA,TP,2.4X6.4M	S.N.A
....5	GT07	BH71-40300A	PIN-HINGE;BRASS,D2.36!,HEAT/SINK,SN	S.N.A5	RV27	2001-000019	R-CARBON(S);100HM,5%,1/2W,AA,TP,2.4X6.4M	S.N.A
....5	GT08	BH71-40300A	PIN-HINGE;BRASS,D2.36!,HEAT/SINK,SN	S.N.A5	RV30	2001-000019	R-CARBON(S);100HM,5%,1/2W,AA,TP,2.4X6.4M	S.N.A

Electrical Part List

Level	Loc.No.	Code No.	Description;Specification	Remark	Level	Loc.No.	Code No.	Description;Specification	Remark
.....5	RV32	2001-000019	R-CARBON(S);100HM,5%,1/2W,AA,TP,2.4X6.4M	5	RV25	2001-001187	R-CARBON(S);75OHM,5%,1/2W,AA,TP,2.4X6.4M	
.....5	R615	2001-000085	R-CARBON(S);100KOHM,5%,1/2W,AA,TP,2.4X6.	5	RV28	2001-001187	R-CARBON(S);75OHM,5%,1/2W,AA,TP,2.4X6.4M	
.....5	R622	2001-000085	R-CARBON(S);100KOHM,5%,1/2W,AA,TP,2.4X6.	5	CV27	2201-000132	C-CERAMIC,DISC;0.1NF,10%,500V,Y5P,TP,6.5	
.....5	RV09	2001-000085	R-CARBON(S);100KOHM,5%,1/2W,AA,TP,2.4X6.	5	CV28	2201-000132	C-CERAMIC,DISC;0.1NF,10%,500V,Y5P,TP,6.5	
.....5	RV10	2001-000085	R-CARBON(S);100KOHM,5%,1/2W,AA,TP,2.4X6.	5	CV20	2201-000180	C-CERAMIC,DISC;10NF,10%,50V,Y5V,TP,7X3MM	
.....5	RV13	2001-000085	R-CARBON(S);100KOHM,5%,1/2W,AA,TP,2.4X6.	5	C931	2201-000982	C-CERAMIC,DISC;10nF,+80-20%,50V,Y5V,-.4.	
.....5	RV14	2001-000085	R-CARBON(S);100KOHM,5%,1/2W,AA,TP,2.4X6.	5	CV02	2201-000982	C-CERAMIC,DISC;10nF,+80-20%,50V,Y5V,-.4.	
.....5	RV17	2001-000085	R-CARBON(S);100KOHM,5%,1/2W,AA,TP,2.4X6.	5	CV42	2201-000982	C-CERAMIC,DISC;10nF,+80-20%,50V,Y5V,-.4.	
.....5	RV20	2001-000085	R-CARBON(S);100KOHM,5%,1/2W,AA,TP,2.4X6.	5	C606	2301-000104	C-FILM,LEAD-PEF;1.2NF,5%,50V,TP,6.5X3.0X	
.....5	RV23	2001-000085	R-CARBON(S);100KOHM,5%,1/2W,AA,TP,2.4X6.	5	C602	2301-000224	C-FILM,LEAD-PEF;22nF,5%,50V,TP,7.4X3.9x1	
.....5	RV26	2001-000085	R-CARBON(S);100KOHM,5%,1/2W,AA,TP,2.4X6.	5	C603	2301-000224	C-FILM,LEAD-PEF;22nF,5%,50V,TP,7.4X3.9x1	
.....5	RV35	2001-000085	R-CARBON(S);100KOHM,5%,1/2W,AA,TP,2.4X6.	5	C617	2301-000224	C-FILM,LEAD-PEF;22nF,5%,50V,TP,7.4X3.9x1	
.....5	RV37	2001-000085	R-CARBON(S);100KOHM,5%,1/2W,AA,TP,2.4X6.	5	C619	2301-000224	C-FILM,LEAD-PEF;22nF,5%,50V,TP,7.4X3.9x1	
.....5	RV53	2001-000085	R-CARBON(S);100KOHM,5%,1/2W,AA,TP,2.4X6.	5	C607	2301-000289	C-FILM,LEAD-PEF;5.6nF,5%,50V,TP,7x6x3mm,	
.....5	RV55	2001-000085	R-CARBON(S);100KOHM,5%,1/2W,AA,TP,2.4X6.	5	C621	2301-000289	C-FILM,LEAD-PEF;5.6nF,5%,50V,TP,7x6x3mm,	
.....5	RV05	2001-000117	R-CARBON(S);68ohm,5%,1/2W,AA,TP,2.4x6.4m	5	C622	2301-000289	C-FILM,LEAD-PEF;5.6nF,5%,50V,TP,7x6x3mm,	
.....5	RV02	2001-000281	R-CARBON;100OHM,5%,1/8W,AA,TP,1.8X3.2MM	5	C633	2301-000383	C-FILM,LEAD-PEF;10nF,5%,50V,TP,6x7x3.2mm	
.....5	RV38	2001-000281	R-CARBON;100OHM,5%,1/8W,AA,TP,1.8X3.2MM	5	C638	2301-000383	C-FILM,LEAD-PEF;10nF,5%,50V,TP,6x7x3.2mm	
.....5	RV39	2001-000281	R-CARBON;100OHM,5%,1/8W,AA,TP,1.8X3.2MM	5	C618	2301-000395	C-FILM,LEAD-PEF;18nF,5%,50V,TP,6.5X12.5X	
.....5	RV47	2001-000281	R-CARBON;100OHM,5%,1/8W,AA,TP,1.8X3.2MM	5	C620	2301-000395	C-FILM,LEAD-PEF;18nF,5%,50V,TP,6.5X12.5X	
.....5	RV49	2001-000281	R-CARBON;100OHM,5%,1/8W,AA,TP,1.8X3.2MM	5	C604	2301-000445	C-FILM,LEAD-PEF;4.7nF,5%,50V,TP,5.5x7x3m	
.....5	RV51	2001-000281	R-CARBON;100OHM,5%,1/8W,AA,TP,1.8X3.2MM	5	C629	2305-000289	C-FILM,LEAD-PEF;220nF,5%,63V,TP,5mm	
.....5	R617	2001-000290	R-CARBON;10KOHM,5%,1/8W,AA,TP,1.8X3.2MM	5	C605	2305-000665	C-FILM,LEAD-PEF;100nF,5%,63V,TP,7.5x4.0x	
.....5	R620	2001-000290	R-CARBON;10KOHM,5%,1/8W,AA,TP,1.8X3.2MM	5	C612	2305-000665	C-FILM,LEAD-PEF;100nF,5%,63V,TP,7.5x4.0x	
.....5	R614	2001-000313	R-CARBON;11KOHM,5%,1/8W,AA,TP,1.8X3.2MM	5	C613	2305-000665	C-FILM,LEAD-PEF;100nF,5%,63V,TP,7.5x4.0x	
.....5	R624	2001-000313	R-CARBON;11KOHM,5%,1/8W,AA,TP,1.8X3.2MM	5	C615	2305-000665	C-FILM,LEAD-PEF;100nF,5%,63V,TP,7.5x4.0x	
.....5	R613	2001-000429	R-CARBON;1KOHM,5%,1/8W,AA,TP,1.8X3.2MM	5	C616	2305-000665	C-FILM,LEAD-PEF;100nF,5%,63V,TP,7.5x4.0x	
.....5	R623	2001-000429	R-CARBON;1KOHM,5%,1/8W,AA,TP,1.8X3.2MM	5	C631	2305-000665	C-FILM,LEAD-PEF;100nF,5%,63V,TP,7.5x4.0x	
.....5	R987	2001-000429	R-CARBON;1KOHM,5%,1/8W,AA,TP,1.8X3.2MM	5	C608	2305-001023	C-FILM,LEAD-PEF;680nF,10%,63V,TP,7.5x5.5	
.....5	R988	2001-000429	R-CARBON;1KOHM,5%,1/8W,AA,TP,1.8X3.2MM	5	C625	2401-002075	C-AL;4.7uF,20%,50V,GP,TP,5x11.5	
.....5	R990	2001-000429	R-CARBON;1KOHM,5%,1/8W,AA,TP,1.8X3.2MM	5	C626	2401-002075	C-AL;4.7uF,20%,50V,GP,TP,5x11.5	
.....5	R991	2001-000429	R-CARBON;1KOHM,5%,1/8W,AA,TP,1.8X3.2MM	5	CV29	2401-002075	C-AL;4.7uF,20%,50V,GP,TP,5x11.5	
.....5	R992	2001-000429	R-CARBON;1KOHM,5%,1/8W,AA,TP,1.8X3.2MM	5	C614	2401-000360	C-AL;100uF,20%,50V,GP,TP,8x11.5,5	
.....5	R993	2001-000429	R-CARBON;1KOHM,5%,1/8W,AA,TP,1.8X3.2MM	5	C930	2401-000455	C-AL;10uF,20%,35V,GP,TP,4x7mm,5	
.....5	R994	2001-000429	R-CARBON;1KOHM,5%,1/8W,AA,TP,1.8X3.2MM	5	CV40	2401-000455	C-AL;10uF,20%,35V,GP,TP,4x7mm,5	
.....5	RV01	2001-000429	R-CARBON;1KOHM,5%,1/8W,AA,TP,1.8X3.2MM	5	CV41	2401-000455	C-AL;10uF,20%,35V,GP,TP,4x7mm,5	
.....5	RV46	2001-000429	R-CARBON;1KOHM,5%,1/8W,AA,TP,1.8X3.2MM	5	CV31	2401-000471	C-AL;10uF,20%,50V,BP,TP,5x11.5mm	
.....5	RV48	2001-000429	R-CARBON;1KOHM,5%,1/8W,AA,TP,1.8X3.2MM	5	CV33	2401-000471	C-AL;10uF,20%,50V,BP,TP,5x11.5mm	
.....5	RV50	2001-000429	R-CARBON;1KOHM,5%,1/8W,AA,TP,1.8X3.2MM	5	C601	2401-000480	C-AL;10uF,20%,50V,GP,TP,5x11.5	
.....5	R603	2001-000472	R-CARBON;2.7KOHM,5%,1/8W,AA,TP,1.8X3.2MM	5	C623	2401-000480	C-AL;10uF,20%,50V,GP,TP,5x11.5	
.....5	R604	2001-000472	R-CARBON;2.7KOHM,5%,1/8W,AA,TP,1.8X3.2MM	5	C624	2401-000480	C-AL;10uF,20%,50V,GP,TP,5x11.5	
.....5	R605	2001-000515	R-CARBON;220OHM,5%,1/8W,AA,TP,1.8X3.2MM	5	C630	2401-000480	C-AL;10uF,20%,50V,GP,TP,5x11.5	
.....5	R606	2001-000515	R-CARBON;220OHM,5%,1/8W,AA,TP,1.8X3.2MM	5	C634	2401-000480	C-AL;10uF,20%,50V,GP,TP,5x11.5	
.....5	R618	2001-000734	R-CARBON;4.7KOHM,5%,1/8W,AA,TP,1.8X3.2MM	5	C635	2401-000480	C-AL;10uF,20%,50V,GP,TP,5x11.5	
.....5	R619	2001-000734	R-CARBON;4.7KOHM,5%,1/8W,AA,TP,1.8X3.2MM	5	C636	2401-000480	C-AL;10uF,20%,50V,GP,TP,5x11.5	
.....5	R986	2001-000734	R-CARBON;4.7KOHM,5%,1/8W,AA,TP,1.8X3.2MM	5	C637	2401-000480	C-AL;10uF,20%,50V,GP,TP,5x11.5	
.....5	RV40	2001-000734	R-CARBON;4.7KOHM,5%,1/8W,AA,TP,1.8X3.2MM	5	CV04	2401-000480	C-AL;10uF,20%,50V,GP,TP,5x11.5	
.....5	RV41	2001-000734	R-CARBON;4.7KOHM,5%,1/8W,AA,TP,1.8X3.2MM	5	CV05	2401-000480	C-AL;10uF,20%,50V,GP,TP,5x11.5	
.....5	R612	2001-000786	R-CARBON;47KOHM,5%,1/8W,AA,TP,1.8X3.2MM	5	CV06	2401-000480	C-AL;10uF,20%,50V,GP,TP,5x11.5	
.....5	R625	2001-000786	R-CARBON;47KOHM,5%,1/8W,AA,TP,1.8X3.2MM	5	CV07	2401-000480	C-AL;10uF,20%,50V,GP,TP,5x11.5	
.....5	R601	2001-000812	R-CARBON;5.6KOHM,5%,1/8W,AA,TP,1.8X3.2MM	5	CV08	2401-000480	C-AL;10uF,20%,50V,GP,TP,5x11.5	
.....5	R602	2001-000812	R-CARBON;5.6KOHM,5%,1/8W,AA,TP,1.8X3.2MM	5	CV09	2401-000480	C-AL;10uF,20%,50V,GP,TP,5x11.5	
.....5	R609	2001-000878	R-CARBON;6.2KOHM,5%,1/8W,AA,TP,1.8X3.2MM	5	CV10	2401-000480	C-AL;10uF,20%,50V,GP,TP,5x11.5	
.....5	R610	2001-000878	R-CARBON;6.2KOHM,5%,1/8W,AA,TP,1.8X3.2MM	5	CV11	2401-000480	C-AL;10uF,20%,50V,GP,TP,5x11.5	
.....5	RV06	2001-001050	R-CARBON(S);1.5KOHM,5%,1/2W,AA,TP,2.4X6.	5	CV12	2401-000480	C-AL;10uF,20%,50V,GP,TP,5x11.5	
.....5	RV03	2001-001066	R-CARBON(S);110OHM,5%,1/2W,AA,TP,2.4X6.4	5	CV13	2401-000480	C-AL;10uF,20%,50V,GP,TP,5x11.5	
.....5	RV54	2001-001088	R-CARBON(S);1KOHM,5%,1/2W,AA,TP,2.4X6.4M	5	CV14	2401-000480	C-AL;10uF,20%,50V,GP,TP,5x11.5	
.....5	RV65	2001-001088	R-CARBON(S);1KOHM,5%,1/2W,AA,TP,2.4X6.4M	5	CV15	2401-000480	C-AL;10uF,20%,50V,GP,TP,5x11.5	
.....5	RV66	2001-001088	R-CARBON(S);1KOHM,5%,1/2W,AA,TP,2.4X6.4M	5	CV16	2401-000480	C-AL;10uF,20%,50V,GP,TP,5x11.5	
.....5	RV67	2001-001088	R-CARBON(S);1KOHM,5%,1/2W,AA,TP,2.4X6.4M	5	CV17	2401-000480	C-AL;10uF,20%,50V,GP,TP,5x11.5	
.....5	RV68	2001-001088	R-CARBON(S);1KOHM,5%,1/2W,AA,TP,2.4X6.4M	5	CV18	2401-000480	C-AL;10uF,20%,50V,GP,TP,5x11.5	
.....5	RV69	2001-001088	R-CARBON(S);1KOHM,5%,1/2W,AA,TP,2.4X6.4M	5	CV22	2401-000480	C-AL;10uF,20%,50V,GP,TP,5x11.5	
.....5	RV70	2001-001088	R-CARBON(S);1KOHM,5%,1/2W,AA,TP,2.4X6.4M	5	CV24	2401-000480	C-AL;10uF,20%,50V,GP,TP,5x11.5	
.....5	RV71	2001-001088	R-CARBON(S);1KOHM,5%,1/2W,AA,TP,2.4X6.4M	5	CV25	2401-000480	C-AL;10uF,20%,50V,GP,TP,5x11.5	
.....5	RV80	2001-001088	R-CARBON(S);1KOHM,5%,1/2W,AA,TP,2.4X6.4M	5	CV26	2401-000480	C-AL;10uF,20%,50V,GP,TP,5x11.5	
.....5	RV81	2001-001088	R-CARBON(S);1KOHM,5%,1/2W,AA,TP,2.4X6.4M	5	CV32	2401-000480	C-AL;10uF,20%,50V,GP,TP,5x11.5	
.....5	R611	2001-001102	R-CARBON(S);200OHM,5%,1/2W,AA,TP,2.4X6.4	5	CV34	2401-000480	C-AL;10uF,20%,50V,GP,TP,5x11.5	
.....5	R985	2001-001102	R-CARBON(S);200OHM,5%,1/2W,AA,TP,2.4X6.4	5	CV35	2401-000480	C-AL;10uF,20%,50V,GP,TP,5x11.5	
.....5	RV34	2001-001185	R-CARBON(S);75OHM,5%,1/2W,AA,TP,2.4X6.4	5	CV36	2401-000480	C-AL;10uF,20%,50V,GP,TP,5x11.5	
.....5	RV36	2001-001185	R-CARBON(S);75OHM,5%,1/2W,AA,TP,2.4X6.4	5	CV37	2401-000480	C-AL;10uF,20%,50V,GP,TP,5x11.5	
.....5	R616	2001-001187	R-CARBON(S);75OHM,5%,1/2W,AA,TP,2.4X6.4M	5	CV38	2401-000480	C-AL;10uF,20%,50V,GP,TP,5x11.5	
.....5	R621	2001-001187	R-CARBON(S);75OHM,5%,1/2W,AA,TP,2.4X6.4M	5	CV39	2401-000480	C-AL;10uF,20%,50V,GP,TP,5x11.5	
.....5	RV08	2001-001187	R-CARBON(S);75OHM,5%,1/2W,AA,TP,2.4X6.4M	5	C609	2401-000649	C-AL;2.2uF,20%,50V,BP,TP,5x11.5	
.....5	RV12	2001-001187	R-CARBON(S);75OHM,5%,1/2W,AA,TP,2.4X6.4M	5	CV19	2401-000025	C-AL;100uF,20%,16V,GP,TP,6.3x11.5	
.....5	RV16	2001-001187	R-CARBON(S);75OHM,5%,1/2W,AA,TP,2.4X6.4M	5	C610	2401-001989	C-AL;4.7uF,20%,50V,BP,TP,5x11.5	
.....5	RV19	2001-001187	R-CARBON(S);75OHM,5%,1/2W,AA,TP,2.4X6.4M	5	C611	2401-001989	C-AL;4.7uF,20%,50V,BP,TP,5x11.5	
.....5	RV22	2001-001187	R-CARBON(S);75OHM,5%,1/2W,AA,TP,2.4X6.4M	5	C627	2401-001989	C-AL;4.7uF,20%,50V,BP,TP,5x11.5	

Level	Loc.No.	Code No.	Description;Specification	Remark	Level	Loc.No.	Code No.	Description;Specification	Remark
....5	C628	2401-001989	C-AL;4.7uF,20%,50V,BP,TP,5x11,5	5	R47	2007-000074	R-CHIP;100ohm,5%,1/10W,TP,1608	
....5	CV01	2401-002009	C-AL;100uF,20%,16V,GP,TP,6.3x7,5	5	R130	2007-000077	R-CHIP;470ohm,5%,1/10W,TP,1608	
....5	C707	2401-002144	C-AL;47uF,20%,16V,GP,TP,5x11,5	5	R64	2007-000078	R-CHIP;1Kohm,5%,1/10W,TP,1608	
....5	CV49	2401-002144	C-AL;47uF,20%,16V,GP,TP,5x11,5	5	R62	2007-000078	R-CHIP;1Kohm,5%,1/10W,TP,1608	
....5	C632	2401-002463	C-AL;470uF,20%,16V,GP,TP,8x11.5,5	5	R58	2007-000078	R-CHIP;1Kohm,5%,1/10W,TP,1608	
....5	CV03	2401-002463	C-AL;470uF,20%,16V,GP,TP,8x11.5,5	5	R56	2007-000078	R-CHIP;1Kohm,5%,1/10W,TP,1608	
....5	L601	2701-000115	INDUCTOR-AXIAL;10UH,10%,3070	5	R52	2007-000078	R-CHIP;1Kohm,5%,1/10W,TP,1608	
....5	LV01	2701-000116	INDUCTOR-AXIAL;10UH,10%,4298	5	R50	2007-000078	R-CHIP;1Kohm,5%,1/10W,TP,1608	
....5	PCB	AA41-00020D	PCB-TERMINAL;P51A,2L,FR-4,180X245X1.6T,1	S.N.A5	R82	2007-000078	R-CHIP;1Kohm,5%,1/10W,TP,1608	
....4	T0245	0202-001522	SOLDER-WIRE FLUX;LFA3-107,-,D1.2,96.5Sn/	S.N.A5	R80	2007-000078	R-CHIP;1Kohm,5%,1/10W,TP,1608	
....3	M0017	AA98-00289Q	ASSY KID-CHASSIS PART;524JP51A CKD	S.N.A5	R76	2007-000078	R-CHIP;1Kohm,5%,1/10W,TP,1608	
....4	M0081	6003-001023	SCREW-TAPTITE;PWH,+B,M3,L10,ZPC(YEL),SW	S.N.A5	R74	2007-000078	R-CHIP;1Kohm,5%,1/10W,TP,1608	
....4	M0081	6003-001023	SCREW-TAPTITE;PWH,+B,M3,L10,ZPC(YEL),SW	S.N.A5	R70	2007-000078	R-CHIP;1Kohm,5%,1/10W,TP,1608	
....4	M0081	6003-001023	SCREW-TAPTITE;PWH,+B,M3,L10,ZPC(YEL),SW	S.N.A5	R68	2007-000078	R-CHIP;1Kohm,5%,1/10W,TP,1608	
....4	M0081	6003-001023	SCREW-TAPTITE;PWH,+B,M3,L10,ZPC(YEL),SW	S.N.A5	R38	2007-000078	R-CHIP;1Kohm,5%,1/10W,TP,1608	
....4	M0081	6003-001023	SCREW-TAPTITE;PWH,+B,M3,L10,ZPC(YEL),SW	S.N.A5	R37	2007-000078	R-CHIP;1Kohm,5%,1/10W,TP,1608	
....4	M0081	6003-001023	SCREW-TAPTITE;PWH,+B,M3,L10,ZPC(YEL),SW	S.N.A5	R11	2007-000078	R-CHIP;1Kohm,5%,1/10W,TP,1608	
....4	T0070	AA61-00051B	HOLDER-CHASSIS;PCJ533R,ABS,-,-,GRAY,VO	S.N.A5	R105	2007-000078	R-CHIP;1Kohm,5%,1/10W,TP,1608	
....3	T0138	AA98-01175A	ASSY K/D-P/MATERIAL;552W(AA61-00051B)	S.N.A5	R104	2007-000078	R-CHIP;1Kohm,5%,1/10W,TP,1608	
....4	T0172	AA69-02609A	BAND-PP;W18,CLEA,1G	S.N.A5	R03	2007-000078	R-CHIP;1Kohm,5%,1/10W,TP,1608	
....4		6902-000015	BAG ANTISTATIC;LDPE,T0.05,L950,W900,TRP,	S.N.A5	R44	2007-000078	R-CHIP;1Kohm,5%,1/10W,TP,1608	
....4		6902-000060	BAG WRAPPING;LDPE,T0.02,W500,L10000,TRP,	S.N.A5	R43	2007-000078	R-CHIP;1Kohm,5%,1/10W,TP,1608	
....3	T0093	BP95-00165A	ASSY SUB PCB-CONV MOD;P51A	5	R42	2007-000078	R-CHIP;1Kohm,5%,1/10W,TP,1608	
....4	L01	2701-001030	INDUCTOR-AXIAL;43UH,10%,4514	5	R39	2007-000078	R-CHIP;1Kohm,5%,1/10W,TP,1608	
....4	CN03	3711-002709	HEADER-BOARD TO BOARD;NOWALL,12P,1R,2.5m	5	R40	2007-000078	R-CHIP;1Kohm,5%,1/10W,TP,1608	
....4	CN02	3711-002709	HEADER-BOARD TO BOARD;NOWALL,12P,1R,2.5m	5	R41	2007-000078	R-CHIP;1Kohm,5%,1/10W,TP,1608	
....4	T0174	AA97-14197A	ASSY SMD;PAL	S.N.A5	R81	2007-000080	R-CHIP;2Kohm,5%,1/10W,TP,1608	
....5	D14	0401-000160	DIODE-SWITCHING;ISS314,30V,100MA,SOD-323	5	R75	2007-000080	R-CHIP;2Kohm,5%,1/10W,TP,1608	
....5	D13	0401-000160	DIODE-SWITCHING;ISS314,30V,100MA,SOD-323	5	R69	2007-000080	R-CHIP;2Kohm,5%,1/10W,TP,1608	
....5	D12	0401-000160	DIODE-SWITCHING;ISS314,30V,100MA,SOD-323	5	R63	2007-000080	R-CHIP;2Kohm,5%,1/10W,TP,1608	
....5	D11	0401-000160	DIODE-SWITCHING;ISS314,30V,100MA,SOD-323	5	R57	2007-000080	R-CHIP;2Kohm,5%,1/10W,TP,1608	
....5	D15	0401-000160	DIODE-SWITCHING;ISS314,30V,100MA,SOD-323	5	R51	2007-000080	R-CHIP;2Kohm,5%,1/10W,TP,1608	
....5	D16	0401-000160	DIODE-SWITCHING;ISS314,30V,100MA,SOD-323	5	R103	2007-000080	R-CHIP;2Kohm,5%,1/10W,TP,1608	
....5	D22	0401-000160	DIODE-SWITCHING;ISS314,30V,100MA,SOD-323	5	R125	2007-000081	R-CHIP;2.7Kohm,5%,1/10W,TP,1608	
....5	D23	0401-000160	DIODE-SWITCHING;ISS314,30V,100MA,SOD-323	5	R128	2007-000082	R-CHIP;3.3Kohm,5%,1/10W,TP,1608	
....5	D10	0401-000160	DIODE-SWITCHING;ISS314,30V,100MA,SOD-323	5	R55	2007-000084	R-CHIP;4.7Kohm,5%,1/10W,TP,1608	
....5	D01	0401-000160	DIODE-SWITCHING;ISS314,30V,100MA,SOD-323	5	R60	2007-000084	R-CHIP;4.7Kohm,5%,1/10W,TP,1608	
....5	D02	0401-000160	DIODE-SWITCHING;ISS314,30V,100MA,SOD-323	5	R61	2007-000084	R-CHIP;4.7Kohm,5%,1/10W,TP,1608	
....5	D03	0401-000160	DIODE-SWITCHING;ISS314,30V,100MA,SOD-323	5	R66	2007-000084	R-CHIP;4.7Kohm,5%,1/10W,TP,1608	
....5	D04	0401-000160	DIODE-SWITCHING;ISS314,30V,100MA,SOD-323	5	R67	2007-000084	R-CHIP;4.7Kohm,5%,1/10W,TP,1608	
....5	D09	0401-000160	DIODE-SWITCHING;ISS314,30V,100MA,SOD-323	5	R72	2007-000084	R-CHIP;4.7Kohm,5%,1/10W,TP,1608	
....5	D08	0401-000160	DIODE-SWITCHING;ISS314,30V,100MA,SOD-323	5	R73	2007-000084	R-CHIP;4.7Kohm,5%,1/10W,TP,1608	
....5	D07	0401-000160	DIODE-SWITCHING;ISS314,30V,100MA,SOD-323	5	R78	2007-000084	R-CHIP;4.7Kohm,5%,1/10W,TP,1608	
....5	D05	0401-000160	DIODE-SWITCHING;ISS314,30V,100MA,SOD-323	5	R79	2007-000084	R-CHIP;4.7Kohm,5%,1/10W,TP,1608	
....5	DZ02	0403-001016	DIODE-ZENER;RLZ6.2B,5.96-6.27V,500mW,LL-	5	R54	2007-000084	R-CHIP;4.7Kohm,5%,1/10W,TP,1608	
....5	DZ01	0403-001016	DIODE-ZENER;RLZ6.2B,5.96-6.27V,500mW,LL-	5	R01	2007-000084	R-CHIP;4.7Kohm,5%,1/10W,TP,1608	
....5	Q01	0501-000280	TR-SMALL SIGNAL;KSA1182,PNP,150MW,SOT-23	5	R04	2007-000084	R-CHIP;4.7Kohm,5%,1/10W,TP,1608	
....5	Q02	0501-000280	TR-SMALL SIGNAL;KSA1182,PNP,150MW,SOT-23	5	R06	2007-000084	R-CHIP;4.7Kohm,5%,1/10W,TP,1608	
....5	IC104	0801-002345	IC-CMOS LOGIC;7S04,INVERTER,SOT-353,5P,4	5	R07	2007-000084	R-CHIP;4.7Kohm,5%,1/10W,TP,1608	
....5	IC104	0801-002345	IC-CMOS LOGIC;7S04,INVERTER,SOT-353,5P,4	5	R08	2007-000084	R-CHIP;4.7Kohm,5%,1/10W,TP,1608	
....5	IC104	0801-002345	IC-CMOS LOGIC;7S04,INVERTER,SOT-353,5P,4	5	R49	2007-000084	R-CHIP;4.7Kohm,5%,1/10W,TP,1608	
....5	IC08	1001-000164	IC-ANALOG MULTIPLEX;74HC4052,CMOS,SOP,16	5	R48	2007-000084	R-CHIP;4.7Kohm,5%,1/10W,TP,1608	
....5	IC112	1103-001195	IC-EEPROM;24C64,64Kbit,8Kx8Bit,SOP,-,5x4	5	R14	2007-000084	R-CHIP;4.7Kohm,5%,1/10W,TP,1608	
....5	DU410	1201-001504	IC-OP AMP;072,SOP,8P,150MIL,DUAL,-,PLAST	5	R13	2007-000084	R-CHIP;4.7Kohm,5%,1/10W,TP,1608	
....5	DU410	1201-001504	IC-OP AMP;072,SOP,8P,150MIL,DUAL,-,PLAST	5	R101	2007-000090	R-CHIP;10Kohm,5%,1/10W,TP,1608	
....5	DU410	1201-001504	IC-OP AMP;072,SOP,8P,150MIL,DUAL,-,PLAST	5	R124	2007-000097	R-CHIP;47Kohm,5%,1/10W,TP,1608	
....5	T0074	1201-001520	IC-VIDEO AMP;EL2250CS,SOIC,8P,150MIL,DUA	5	R05	2007-000102	R-CHIP;100Kohm,5%,1/10W,TP,1608	
....5	IC03	1203-001824	IC-VOL. DETECTOR;7042,SOT-89,3P,-,PLASTI	5	R127	2007-000109	R-CHIP;1Mohm,5%,1/10W,TP,1608	
....5	T0087	1203-002302	IC-POSI.FIXED REG.;78RM33D,D-PAK,3P,-,PL	5	R132	2007-000119	R-CHIP;560ohm,5%,1/10W,TP,1608	
....5	IC17	1209-001163	IC-PLL;TLC2932IPWLE,SOP,14P,-,PLASTIC	5	R107	2007-000122	R-CHIP;1.2Kohm,5%,1/10W,TP,1608	
....5	R31	2007-000028	R-CHIP;39ohm,5%,1/8W,TP,2012	5	R28	2007-000122	R-CHIP;1.2Kohm,5%,1/10W,TP,1608	
....5	R30	2007-000028	R-CHIP;39ohm,5%,1/8W,TP,2012	5	R29	2007-000122	R-CHIP;1.2Kohm,5%,1/10W,TP,1608	
....5	R25	2007-000070	R-CHIP;0ohm,5%,1/10W,TP,1608	5	R108	2007-000381	R-CHIP;13Kohm,5%,1/10W,TP,1608	
....5	R46	2007-000072	R-CHIP;47ohm,5%,1/10W,TP,1608	5	R126	2007-000857	R-CHIP;4.3Kohm,1%,1/10W,TP,1608	
....5	R45	2007-000072	R-CHIP;47ohm,5%,1/10W,TP,1608	5	R131	2007-001002	R-CHIP;510ohm,5%,1/10W,TP,1608	
....5	R24	2007-000072	R-CHIP;47ohm,5%,1/10W,TP,1608	5	R27	2007-001167	R-CHIP;75ohm,5%,1/10W,TP,1608	
....5	R10	2007-000072	R-CHIP;47ohm,5%,1/10W,TP,1608	5	R26	2007-001167	R-CHIP;75ohm,5%,1/10W,TP,1608	
....5	R09	2007-000072	R-CHIP;47ohm,5%,1/10W,TP,1608	5	R148	2007-001167	R-CHIP;75ohm,5%,1/10W,TP,1608	
....5	R53	2007-000074	R-CHIP;100ohm,5%,1/10W,TP,1608	5	R106	2007-001167	R-CHIP;75ohm,5%,1/10W,TP,1608	
....5	R59	2007-000074	R-CHIP;100ohm,5%,1/10W,TP,1608	5	RN04	2011-000585	R-NET;47ohm,5%,1/16W,L,CHIP,8P,TP,3.2x1.	
....5	R65	2007-000074	R-CHIP;100ohm,5%,1/10W,TP,1608	5	RN05	2011-000585	R-NET;47ohm,5%,1/16W,L,CHIP,8P,TP,3.2x1.	
....5	R71	2007-000074	R-CHIP;100ohm,5%,1/10W,TP,1608	5	RN06	2011-000585	R-NET;47ohm,5%,1/16W,L,CHIP,8P,TP,3.2x1.	
....5	R77	2007-000074	R-CHIP;100ohm,5%,1/10W,TP,1608	5	RN01	2011-000585	R-NET;47ohm,5%,1/16W,L,CHIP,8P,TP,3.2x1.	
....5	R02	2007-000074	R-CHIP;100ohm,5%,1/10W,TP,1608	5	RN02	2011-000585	R-NET;47ohm,5%,1/16W,L,CHIP,8P,TP,3.2x1.	
....5	R18	2007-000074	R-CHIP;100ohm,5%,1/10W,TP,1608	5	RN03	2011-000585	R-NET;47ohm,5%,1/16W,L,CHIP,8P,TP,3.2x1.	
....5	R19	2007-000074	R-CHIP;100ohm,5%,1/10W,TP,1608	5	C65	2203-000041	C-CER,CHIP;0.01nF,0.25pF,50V,C0G,1608	
....5	R20	2007-000074	R-CHIP;100ohm,5%,1/10W,TP,1608	5	C61	2203-000041	C-CER,CHIP;0.01nF,0.25pF,50V,C0G,1608	

Electrical Part List

Level	Loc.No.	Code No.	Description;Specification	Remark	Level	Loc.No.	Code No.	Description;Specification	Remark
....5	C57	2203-000041	C-CER,CHIP;0.01nF,0.25pF,50V,COG,1608	4		AA63-00396B	SHIELD CASE-TOP;PRJT,P54A,SPTE,T0.5,-,-,	S.N.A
....5	C44	2203-000041	C-CER,CHIP;0.01nF,0.25pF,50V,COG,1608	4		AA63-00397B	SHIELD CASE-BOTTOM;PRJT,P54A,SPTE,T0.5,-,-,	S.N.A
....5	C48	2203-000041	C-CER,CHIP;0.01nF,0.25pF,50V,COG,1608		..2	T0154	AA95-01753M	ASSY SUB-PCB CONTROL;DP,PCJ612R,P51A,USA	S.N.A
....5	C52	2203-000041	C-CER,CHIP;0.01nF,0.25pF,50V,COG,1608		...3	CA01	2401-001496	C-AL;47uF,20%,16V,GP,TP,5x7,5	
....5	C35	2203-000181	C-CER,CHIP;100nF,+80-20%,25V,Y5V,TP,2012		...3	T0121	3301-001201	CORE-FERRITE;AE,21x11x32mm,1500,280G	
....5	C36	2203-000181	C-CER,CHIP;100nF,+80-20%,25V,Y5V,TP,2012		...3	SW02	3404-001145	SWITCH-TACT;12V DC,50mA,160gf,8.4x22.7mm	
....5	C37	2203-000181	C-CER,CHIP;100nF,+80-20%,25V,Y5V,TP,2012		...3	SW03	3404-001145	SWITCH-TACT;12V DC,50mA,160gf,8.4x22.7mm	
....5	C39	2203-000181	C-CER,CHIP;100nF,+80-20%,25V,Y5V,TP,2012		...3	SW04	3404-001145	SWITCH-TACT;12V DC,50mA,160gf,8.4x22.7mm	
....5	C34	2203-000181	C-CER,CHIP;100nF,+80-20%,25V,Y5V,TP,2012		...3	SW05	3404-001145	SWITCH-TACT;12V DC,50mA,160gf,8.4x22.7mm	
....5	C32	2203-000181	C-CER,CHIP;100nF,+80-20%,25V,Y5V,TP,2012		...3	SW06	3404-001145	SWITCH-TACT;12V DC,50mA,160gf,8.4x22.7mm	
....5	C31	2203-000181	C-CER,CHIP;100nF,+80-20%,25V,Y5V,TP,2012		...3	SW07	3404-001145	SWITCH-TACT;12V DC,50mA,160gf,8.4x22.7mm	
....5	C30	2203-000181	C-CER,CHIP;100nF,+80-20%,25V,Y5V,TP,2012		...3	SW08	3404-001145	SWITCH-TACT;12V DC,50mA,160gf,8.4x22.7mm	
....5	C29	2203-000181	C-CER,CHIP;100nF,+80-20%,25V,Y5V,TP,2012		...3	SW09	3404-001145	SWITCH-TACT;12V DC,50mA,160gf,8.4x22.7mm	
....5	C41	2203-000181	C-CER,CHIP;100nF,+80-20%,25V,Y5V,TP,2012		...3	CNY01	3711-003973	HEADER-BOARD TO CABLE;BOX,11P,1R,2.5mm,S	
....5	C86	2203-000181	C-CER,CHIP;100nF,+80-20%,25V,Y5V,TP,2012		...3	T0245	AA39-00120D	LEAD CONNECTOR-ASSY;;11P,900MM,35155-110	
....5	C85	2203-000181	C-CER,CHIP;100nF,+80-20%,25V,Y5V,TP,2012		...3	T0603	AA63-10002A	BAND-TIE;;NYLON66 V2,L100,NTR,0.7,0.7 G	S.N.A
....5	C78	2203-000181	C-CER,CHIP;100nF,+80-20%,25V,Y5V,TP,2012		...3	LED01	AA96-00461A	ASSY LED GUIDE,-,SL-255D,RED/GRN	
....5	C62	2203-000181	C-CER,CHIP;100nF,+80-20%,25V,Y5V,TP,2012		...3	D0254	AA32-00015A	MODULE REMOCON;FRP-3521H31,38KHZ,940MM,M	
....5	C58	2203-000181	C-CER,CHIP;100nF,+80-20%,25V,Y5V,TP,2012		...3	T0016	AA97-04996A	ASSY AUTO-SUB;PCJ612R,P51A,U.S.A	S.N.A
....5	C54	2203-000181	C-CER,CHIP;100nF,+80-20%,25V,Y5V,TP,2012	4	RA07	2001-000020	R-CARBON(S);220OHM,5%,1/2W,AA,TP,2.4X6.4M	
....5	C53	2203-000181	C-CER,CHIP;100nF,+80-20%,25V,Y5V,TP,2012	4	RA01	2001-000109	R-CARBON(S);470OHM,5%,1/2W,AA,TP,2.4X6.4	
....5	C49	2203-000181	C-CER,CHIP;100nF,+80-20%,25V,Y5V,TP,2012	4	RA03	2001-000429	R-CARBON;1KOHM,5%,1/8W,AA,TP,1.8X3.2MM	
....5	C45	2203-000181	C-CER,CHIP;100nF,+80-20%,25V,Y5V,TP,2012	4	RA06	2001-000429	R-CARBON;1KOHM,5%,1/8W,AA,TP,1.8X3.2MM	
....5	C28	2203-000181	C-CER,CHIP;100nF,+80-20%,25V,Y5V,TP,2012	4	RA04	2001-000449	R-CARBON;2.2KOHM,5%,1/8W,AA,TP,1.8X3.2MM	
....5	C12	2203-000181	C-CER,CHIP;100nF,+80-20%,25V,Y5V,TP,2012	4	RA02	2001-000924	R-CARBON;680OHM,5%,1/8W,AA,TP,1.8X3.2MM	
....5	C11	2203-000181	C-CER,CHIP;100nF,+80-20%,25V,Y5V,TP,2012	4	RA05	2001-000924	R-CARBON;680OHM,5%,1/8W,AA,TP,1.8X3.2MM	
....5	C10	2203-000181	C-CER,CHIP;100nF,+80-20%,25V,Y5V,TP,2012	4	RA08	2001-001108	R-CARBON(S);22KOHM,5%,1/2W,AA,TP,2.4X6.4	
....5	C09	2203-000181	C-CER,CHIP;100nF,+80-20%,25V,Y5V,TP,2012	4	PCB	AA41-10968C	PCB-CONTROL;KPT51A,1L,FR-1,330X245X1.6T,	S.N.A
....5	C08	2203-000181	C-CER,CHIP;100nF,+80-20%,25V,Y5V,TP,2012		...3	QA01	0504-001061	TR-DIGITAL;KRC1111M,NPN,400mW,10K,T0-92M,	
....5	C07	2203-000181	C-CER,CHIP;100nF,+80-20%,25V,Y5V,TP,2012		...3	T0245	0202-001522	SOLDER-WIRE FLUX;LFA3-107,-,D1.2,96.5Sn/	S.N.A
....5	C05	2203-000181	C-CER,CHIP;100nF,+80-20%,25V,Y5V,TP,2012		..2	T0100	AA95-01784Z	ASSY SUB-PCB,AV FRONT;DP,PCJ522R/612R,P	
....5	C04	2203-000181	C-CER,CHIP;100nF,+80-20%,25V,Y5V,TP,2012		...3	T0121	3301-001201	CORE-FERRITE;AE,21x11x32mm,1500,280G	
....5	C02	2203-000181	C-CER,CHIP;100nF,+80-20%,25V,Y5V,TP,2012		...3	CNY01	3711-003974	HEADER-BOARD TO CABLE;BOX,12P,1R,2.5mm,S	
....5	C13	2203-000181	C-CER,CHIP;100nF,+80-20%,25V,Y5V,TP,2012		...3	JK102	3722-001031	JACK-PIN;3P,3.6mm,#18,AU	
....5	C27	2203-000181	C-CER,CHIP;100nF,+80-20%,25V,Y5V,TP,2012		...3	JK101	3722-001163	JACK-VHS;4P,AU,BLK,ANGLE	
....5	C26	2203-000181	C-CER,CHIP;100nF,+80-20%,25V,Y5V,TP,2012		...3	T0245	AA39-00194A	LEAD CONNECTOR-ASSY;;12P,1300MM,35155-12	
....5	C25	2203-000181	C-CER,CHIP;100nF,+80-20%,25V,Y5V,TP,2012		...3	GTM01	BH71-40300A	PIN-HINGE;BRASS,D2.361,HEAT/SINK,SN	S.N.A
....5	C24	2203-000181	C-CER,CHIP;100nF,+80-20%,25V,Y5V,TP,2012		...3	T0603	AA63-10002A	BAND-TIE;;NYLON66 V2,L100,NTR,0.7,0.7 G	S.N.A
....5	C23	2203-000181	C-CER,CHIP;100nF,+80-20%,25V,Y5V,TP,2012		...3	T0006	AA97-07106A	ASSY AUTO-AV FRONT;PCJ522R/XAA,P51A,AA	S.N.A
....5	C15	2203-000181	C-CER,CHIP;100nF,+80-20%,25V,Y5V,TP,2012	4	PCB	AA41-00110B	PCB-FRONT AV;P51A,1L,FR-1,245x245x1.6T,	S.N.A
....5	C20	2203-000181	C-CER,CHIP;100nF,+80-20%,25V,Y5V,TP,2012		...3	T0245	0202-001522	SOLDER-WIRE FLUX;LFA3-107,-,D1.2,96.5Sn/	S.N.A
....5	C21	2203-000181	C-CER,CHIP;100nF,+80-20%,25V,Y5V,TP,2012		..2	T0115	AA95-01800D	ASSY SUB-PCB,CRT;DP,PCJ522R,P51A,USAAA95	
....5	C22	2203-000181	C-CER,CHIP;100nF,+80-20%,25V,Y5V,TP,2012		...3	R506	2001-001088	R-CARBON(S);1KOHM,5%,1/2W,AA,TP,2.4X6.4M	
....5	C89	2203-000257	C-CER,CHIP;10nF,10%,50V,X7R,1608		...3	VR501	2101-000321	VR-ROTARY;1Mohm,-,0.6W,SIDE	
....5	C63	2203-000357	C-CER,CHIP;0.15nF,5%,50V,COG,1608		...3	VR531	2101-000321	VR-ROTARY;1Mohm,-,0.6W,SIDE	
....5	C59	2203-000357	C-CER,CHIP;0.15nF,5%,50V,COG,1608		...3	VR561	2101-000321	VR-ROTARY;1Mohm,-,0.6W,SIDE	
....5	C55	2203-000357	C-CER,CHIP;0.15nF,5%,50V,COG,1608		...3	C511	2201-002117	C-CERAMIC,DISC;4.7nF,20%,3000V,Y5U,-,16x	
....5	C42	2203-000357	C-CER,CHIP;0.15nF,5%,50V,COG,1608		...3	C541	2201-002117	C-CERAMIC,DISC;4.7nF,20%,3000V,Y5U,-,16x	
....5	C46	2203-000357	C-CER,CHIP;0.15nF,5%,50V,COG,1608		...3	C571	2201-002117	C-CERAMIC,DISC;4.7nF,20%,3000V,Y5U,-,16x	
....5	C50	2203-000357	C-CER,CHIP;0.15nF,5%,50V,COG,1608		...3	T0121	3301-001201	CORE-FERRITE;AE,21x11x32mm,1500,280G	
....5	C77	2203-000440	C-CER,CHIP;1nF,10%,50V,X7R,1608		...3	V501	3704-001019	SOCKET-CRT;10P,29.1PI,35.5PI,SN,-	
....5	C90	2203-000575	C-CER,CHIP;220nF,10%,25V,X7R,TP,1608,-		...3	V531	3704-001019	SOCKET-CRT;10P,29.1PI,35.5PI,SN,-	
....5	C88	2203-000975	C-CER,CHIP;47nF,10%,25V,X7R,TP,1608,-		...3	V561	3704-001019	SOCKET-CRT;10P,29.1PI,35.5PI,SN,-	
....5	C64	2203-001071	C-CER,CHIP;0.056nF,5%,50V,COG,1608		...3	CN501	3711-003051	HEADER-BOARD TO CABLE;BOX,8P,1R,2.5mm,ST	
....5	C60	2203-001071	C-CER,CHIP;0.056nF,5%,50V,COG,1608		...3	CN502	3711-003052	HEADER-BOARD TO CABLE;BOX,10P,1R,2.5mm,S	
....5	C56	2203-001071	C-CER,CHIP;0.056nF,5%,50V,COG,1608		...3	CN502B	3711-003052	HEADER-BOARD TO CABLE;BOX,10P,1R,2.5mm,S	
....5	C51	2203-001071	C-CER,CHIP;0.056nF,5%,50V,COG,1608		...3	CN503	3711-003052	HEADER-BOARD TO CABLE;BOX,10P,1R,2.5mm,S	
....5	C47	2203-001071	C-CER,CHIP;0.056nF,5%,50V,COG,1608		...3	CN503B	3711-003052	HEADER-BOARD TO CABLE;BOX,10P,1R,2.5mm,S	
....5	C43	2203-001071	C-CER,CHIP;0.056nF,5%,50V,COG,1608		...3	T0245	AA39-00047E	LEAD CONNECTOR-ASSY;;1P,300MM,JUMPER,BLK	
....5	C94	2203-001245	C-CER,CHIP;0.082nF,5%,50V,NP0,TP,2012		...3	T0245	AA39-00047E	LEAD CONNECTOR-ASSY;;1P,300MM,JUMPER,BLK	
....5	C93	2203-001245	C-CER,CHIP;0.082nF,5%,50V,NP0,TP,2012		...3	T0245	AA39-00049A	LEAD CONNECTOR-ASSY;;1P,300MM,JUMPER,RED	
....5	C87	2203-001245	C-CER,CHIP;0.082nF,5%,50V,NP0,TP,2012		...3	T0245	AA39-00049A	LEAD CONNECTOR-ASSY;;1P,300MM,JUMPER,RED	
....5	C84	2402-001042	C-AL,SMD;100uF,20%,16V,GP,TP,6.6x6.6x5.4		...3	T0245	AA39-00112A	LEAD CONNECTOR-ASSY;;UL1007#26,UL/CSA,10	
....5	C40	2402-001042	C-AL,SMD;100uF,20%,16V,GP,TP,6.6x6.6x5.4		...3	T0245	AA39-00112A	LEAD CONNECTOR-ASSY;;UL1007#26,UL/CSA,10	
....5	C38	2402-001042	C-AL,SMD;100uF,20%,16V,GP,TP,6.6x6.6x5.4		...3	T0245	AA39-00127A	LEAD CONNECTOR-ASSY;;8P,400MM,35155-0800	
....5	C14	2402-001042	C-AL,SMD;100uF,20%,16V,GP,TP,6.6x6.6x5.4		...3	T0245	AA39-20009D	LEAD CONNECTOR-ASSY;;1P,500,YFH800-01,16	
....5	C06	2402-001042	C-AL,SMD;100uF,20%,16V,GP,TP,6.6x6.6x5.4		...3	T0245	AA39-20009F	LEAD CONNECTOR-ASSY;;1P,200,YFH800-01,16	
....5	C03	2402-001042	C-AL,SMD;100uF,20%,16V,GP,TP,6.6x6.6x5.4		...3	T0245	AA39-20009G	LEAD CONNECTOR-ASSY;;1P,700,YFH800-01,16	
....5	C01	2402-001042	C-AL,SMD;100uF,20%,16V,GP,TP,6.6x6.6x5.4		...3	T0245	AA39-20027B	LEAD CONNECTOR-ASSY;;6P,400,67096-006,S,	
....5	C76	2402-000176	C-AL,SMD;10uF,20%,16V,GP,TP,4.3x4.3x5.4		...3	T0603	AA63-10002A	BAND-TIE;;NYLON66 V2,L100,NTR,0.7,0.7 G	S.N.A
....5	OSC01	2804-001479	OSCILLATOR-CLOCK;24MHz,100ppm,50pF,TP,5V		...3	IC501	AA96-50151B	ASSY HEAT SINK P;-AMP,AA61-10060A,TDA61	S.N.A
....5	T0568	3301-001324	BEAD-SMD;15ohm,2012,600mA,TP,,0.1ohm	S.N.A	...3	IC531	AA96-50151B	ASSY HEAT SINK P;-AMP,AA61-10060A,TDA61	S.N.A
....5	T0568	3301-001324	BEAD-SMD;15ohm,2012,600mA,TP,,0.1ohm	S.N.A	...3	IC561	AA96-50151B	ASSY HEAT SINK P;-AMP,AA61-10060A,TDA61	S.N.A
....5	T0119	AA09-00032A	IC MICOM;TSC87251G2D-24IB,TSC87251G2D-OT	4	CCM1	6001-000057	SCREW MACHINE;RH,+M3,L6,ZPC(BLK),SWRCH1	S.N.A
....5	PCB	AA41-00717E	PCB-CG;Convergence,FR-4,4,1.6T,245*245,9	S.N.A4		6021-00022A	NUT-HEXAGON;2C,M3,ZPC(YEL),SM20C,-	S.N.A
....5	IC125	BP13-00003A	IC ASIC;SDC12,128,-0.3 TO +3.8,0 TO 70,Q	4	T0527	AA61-10060A	BRACKET-TR;W3220,CUS-1 1/2H,T0.5,-,-,-,	S.N.A
....5		0202-001477	SOLDER-CREAM;LST309-M,-,D20-45S,-96.5Sn/	S.N.A4	T0074	1201-001131	IC-VIDEO AMP;61111,SP,9P,-,SINGLE,-,PLAS	

Level	Loc.No.	Code No.	Description;Specification	Remark	Level	Loc.No.	Code No.	Description;Specification	Remark
...	T0245	AA39-20115D	LEAD CONNECTOR-ASSY;P54A/SVP-55W3HD,UL32		...	R589	2002-001015	R-COMPOSITION;47Kohm,5%,1/2W,AA,TP,3.7x9	
...	T0245	AA39-20115D	LEAD CONNECTOR-ASSY;P54A/SVP-55W3HD,UL32		...	R515	2002-001017	R-COMPOSITION;1Kohm,10%,1/2W,AA,TP,3.7x9	
...	T0245	AA39-20115A	LEAD CONNECTOR-ASSY;1P,500,BUSHING,3239		...	R545	2002-001017	R-COMPOSITION;1Kohm,10%,1/2W,AA,TP,3.7x9	
...	T0016	AA97-04955A	ASSY AUTO-SUB;PCJ522R,P51A,USA	S.N.A	...	R575	2002-001017	R-COMPOSITION;1Kohm,10%,1/2W,AA,TP,3.7x9	
...	D504	0401-000005	DIODE-SWITCHING;1N4148,75V,150mA,DO-35,T		...	R518	2002-001021	R-COMPOSITION;560KOHM,5%,1/2W,AA,TP,3.7X	
...	D509	0401-000005	DIODE-SWITCHING;1N4148,75V,150mA,DO-35,T		...	R519	2002-001021	R-COMPOSITION;560KOHM,5%,1/2W,AA,TP,3.7X	
...	D510	0401-000005	DIODE-SWITCHING;1N4148,75V,150mA,DO-35,T		...	R529	2002-001021	R-COMPOSITION;560KOHM,5%,1/2W,AA,TP,3.7X	
...	D503	0402-000493	DIODE-RECTIFIER;1R5GU41,400V,1.5A,DO-15L		...	R548	2002-001021	R-COMPOSITION;560KOHM,5%,1/2W,AA,TP,3.7X	
...	D533	0402-000493	DIODE-RECTIFIER;1R5GU41,400V,1.5A,DO-15L		...	R549	2002-001021	R-COMPOSITION;560KOHM,5%,1/2W,AA,TP,3.7X	
...	D563	0402-000493	DIODE-RECTIFIER;1R5GU41,400V,1.5A,DO-15L		...	R578	2002-001021	R-COMPOSITION;560KOHM,5%,1/2W,AA,TP,3.7X	
...	D501	0402-000546	DIODE-RECTIFIER;TVR10G,400V,1.0A,DO-41,T		...	R579	2002-001021	R-COMPOSITION;560KOHM,5%,1/2W,AA,TP,3.7X	
...	D502	0402-000546	DIODE-RECTIFIER;TVR10G,400V,1.0A,DO-41,T		...	R508	2003-000706	R-METAL OXIDE(S);47Kohm,5%,2W,AA,TP,4.3x	
...	D531	0402-000546	DIODE-RECTIFIER;TVR10G,400V,1.0A,DO-41,T		...	R538	2003-000706	R-METAL OXIDE(S);47Kohm,5%,2W,AA,TP,4.3x	
...	D532	0402-000546	DIODE-RECTIFIER;TVR10G,400V,1.0A,DO-41,T		...	R572	2003-000706	R-METAL OXIDE(S);47Kohm,5%,2W,AA,TP,4.3x	
...	D561	0402-000546	DIODE-RECTIFIER;TVR10G,400V,1.0A,DO-41,T		...	R513	2008-000252	R-FUSIBLE(S);0.47ohm,10%,1/2W,AF,TP,2.5x	
...	D562	0402-000546	DIODE-RECTIFIER;TVR10G,400V,1.0A,DO-41,T		...	R543	2008-000252	R-FUSIBLE(S);0.47ohm,10%,1/2W,AF,TP,2.5x	
...	DZ502	0403-000508	DIODE-ZENER;MTZJ5.6B,5.45-5.73V,500MW,DO		...	R573	2008-000252	R-FUSIBLE(S);0.47ohm,10%,1/2W,AF,TP,2.5x	
...	DZ532	0403-000508	DIODE-ZENER;MTZJ5.6B,5.45-5.73V,500MW,DO		...	C503	2201-000119	C-CERAMIC,DISC;100NF,+80-20%,50V,Y5V,TP,	
...	DZ562	0403-000508	DIODE-ZENER;MTZJ5.6B,5.45-5.73V,500MW,DO		...	C533	2201-000119	C-CERAMIC,DISC;100NF,+80-20%,50V,Y5V,TP,	
...	DZ503	0403-000708	DIODE-ZENER;MTZJ13B,12.55-13.21V,500mW,D		...	C563	2201-000119	C-CERAMIC,DISC;100NF,+80-20%,50V,Y5V,TP,	
...	DZ533	0403-000708	DIODE-ZENER;MTZJ13B,12.55-13.21V,500mW,D		...	C561	2201-000247	C-CERAMIC,DISC;0.015NF,5%,50V,COG,TP,5X3	
...	DZ563	0403-000708	DIODE-ZENER;MTZJ13B,12.55-13.21V,500mW,D		...	C514	2201-000599	C-CERAMIC,DISC;0.56NF,10%,500V,Y5P,TP,5.	
...	DZ501	0403-001317	DIODE-ZENER;MTZJ3.0B,3.01-3.22V,500MW,DO		...	C543	2201-000599	C-CERAMIC,DISC;0.56NF,10%,500V,Y5P,TP,5.	
...	DZ531	0403-001317	DIODE-ZENER;MTZJ3.0B,3.01-3.22V,500MW,DO		...	C573	2201-000599	C-CERAMIC,DISC;0.56NF,10%,500V,Y5P,TP,5.	
...	DZ561	0403-001317	DIODE-ZENER;MTZJ3.0B,3.01-3.22V,500MW,DO		...	C501	2201-000961	C-CERAMIC,DISC;0.01NF,0.5PF,50V,RH,TP,4X	
...	Q502	0501-000389	TR-SMALL SIGNAL;KSC815,NPN,400mW,TO-92,T		...	C531	2201-000961	C-CERAMIC,DISC;0.01NF,0.5PF,50V,RH,TP,4X	
...	Q501	0502-000006	TR-POWER;KSC1507,NPN,15W,TO-220,TP,120-		...	C513	2201-000983	C-CERAMIC,DISC;1NF,10%,2KV,Y5P,TP,9X5MM,	
...	Q531	0502-000006	TR-POWER;KSC1507,NPN,15W,TO-220,TP,120-		...	C542	2201-000983	C-CERAMIC,DISC;1NF,10%,2KV,Y5P,TP,9X5MM,	
...	Q561	0502-000006	TR-POWER;KSC1507,NPN,15W,TO-220,TP,120-		...	C572	2201-000983	C-CERAMIC,DISC;1NF,10%,2KV,Y5P,TP,9X5MM,	
...	R511	2001-000009	R-CARBON;20KOHM,5%,1/8W,AA,TP,1.8X3.2MM		...	C505	2305-000149	C-FILM,LEAD-PEF;100nF,5%,100V,TP,12x12.5	
...	R516	2001-000009	R-CARBON;20KOHM,5%,1/8W,AA,TP,1.8X3.2MM		...	C535	2305-000149	C-FILM,LEAD-PEF;100nF,5%,100V,TP,12x12.5	
...	R541	2001-000009	R-CARBON;20KOHM,5%,1/8W,AA,TP,1.8X3.2MM		...	C565	2305-000149	C-FILM,LEAD-PEF;100nF,5%,100V,TP,12x12.5	
...	R546	2001-000009	R-CARBON;20KOHM,5%,1/8W,AA,TP,1.8X3.2MM		...	C507	2305-000154	C-FILM,LEAD-PEF;100nF,5%,400V,TP,21.5x6.	
...	R576	2001-000009	R-CARBON;20KOHM,5%,1/8W,AA,TP,1.8X3.2MM		...	C537	2305-000154	C-FILM,LEAD-PEF;100nF,5%,400V,TP,21.5x6.	
...	R524	2001-000028	R-CARBON(S);100OHM,5%,1/2W,AA,TP,2.4X6.4		...	C567	2305-000154	C-FILM,LEAD-PEF;100nF,5%,400V,TP,21.5x6.	
...	R554	2001-000028	R-CARBON(S);100OHM,5%,1/2W,AA,TP,2.4X6.4		...	C502	2401-002075	C-AL;4.7uF,20%,50V,GP,TP,5x11.5	
...	R584	2001-000028	R-CARBON(S);100OHM,5%,1/2W,AA,TP,2.4X6.4		...	C532	2401-002075	C-AL;4.7uF,20%,50V,GP,TP,5x11.5	
...	R520	2001-000066	R-CARBON(S);10KOHM,5%,1/2W,AA,TP,2.4X6.4		...	C562	2401-002075	C-AL;4.7uF,20%,50V,GP,TP,5x11.5	
...	R550	2001-000066	R-CARBON(S);10KOHM,5%,1/2W,AA,TP,2.4X6.4		...	C512	2401-000133	C-AL;100uF,20%,16V,GP,TP,10x20,5	
...	R580	2001-000066	R-CARBON(S);10KOHM,5%,1/2W,AA,TP,2.4X6.4		...	C506	2401-000430	C-AL;10uF,20%,250V,GP,TP,10x16mm,5m	
...	R517	2001-000085	R-CARBON(S);100KOHM,5%,1/2W,AA,TP,2.4X6.		...	C510	2401-000430	C-AL;10uF,20%,250V,GP,TP,10x16mm,5m	
...	R547	2001-000085	R-CARBON(S);100KOHM,5%,1/2W,AA,TP,2.4X6.		...	C536	2401-000430	C-AL;10uF,20%,250V,GP,TP,10x16mm,5m	
...	R577	2001-000085	R-CARBON(S);100KOHM,5%,1/2W,AA,TP,2.4X6.		...	C540	2401-000430	C-AL;10uF,20%,250V,GP,TP,10x16mm,5m	
...	R571	2001-000281	R-CARBON;100OHM,5%,1/8W,AA,TP,1.8X3.2MM		...	C566	2401-000430	C-AL;10uF,20%,250V,GP,TP,10x16mm,5m	
...	R501	2001-000302	R-CARBON;100OHM,5%,1/8W,AA,TP,1.8X3.2MM		...	C570	2401-000430	C-AL;10uF,20%,250V,GP,TP,10x16mm,5m	
...	R531	2001-000302	R-CARBON;100OHM,5%,1/8W,AA,TP,1.8X3.2MM		...	C504	2401-001537	C-AL;47uF,20%,25V,GP,TP,6.3x7mm,5mm	
...	R561	2001-000302	R-CARBON;100OHM,5%,1/8W,AA,TP,1.8X3.2MM		...	C534	2401-001537	C-AL;47uF,20%,25V,GP,TP,6.3x7mm,5mm	
...	R503	2001-000429	R-CARBON;1KOHM,5%,1/8W,AA,TP,1.8X3.2MM		...	C564	2401-001537	C-AL;47uF,20%,25V,GP,TP,6.3x7mm,5mm	
...	R507	2001-000429	R-CARBON;1KOHM,5%,1/8W,AA,TP,1.8X3.2MM		...	L501	2701-000114	INDUCTOR-AXIAL;10UH,10%,2534	
...	R533	2001-000429	R-CARBON;1KOHM,5%,1/8W,AA,TP,1.8X3.2MM		...	L531	2701-000114	INDUCTOR-AXIAL;10UH,10%,2534	
...	R537	2001-000429	R-CARBON;1KOHM,5%,1/8W,AA,TP,1.8X3.2MM		...	L561	2701-000114	INDUCTOR-AXIAL;10UH,10%,2534	
...	R562	2001-000429	R-CARBON;1KOHM,5%,1/8W,AA,TP,1.8X3.2MM		...	CN401	3711-002645	HEADER-BOARD TO CABLE;BOX,6P,1R,2.5mm,ST	
...	R563	2001-000429	R-CARBON(S);1KOHM,5%,1/8W,AA,TP,1.8X3.2MM		...	T0310	4715-001036	SURGE ABSORBER;500V,20%,--,TP	S.N.A
...	R567	2001-000429	R-CARBON;1KOHM,5%,1/8W,AA,TP,1.8X3.2MM		...	T0310	4715-001036	SURGE ABSORBER;500V,20%,--,TP	S.N.A
...	R500	2001-000449	R-CARBON;2.2KOHM,5%,1/8W,AA,TP,1.8X3.2MM		...	T0310	4715-001036	SURGE ABSORBER;500V,20%,--,TP	S.N.A
...	R526	2001-000539	R-CARBON;24KOHM,5%,1/8W,AA,TP,1.8X3.2MM		...	T0310	4715-001036	SURGE ABSORBER;500V,20%,--,TP	S.N.A
...	R527	2001-000577	R-CARBON;2KOHM,5%,1/8W,AA,TP,1.8X3.2MM		...	T0310	4715-001036	SURGE ABSORBER;500V,20%,--,TP	S.N.A
...	R564	2001-000660	R-CARBON;33KOHM,5%,1/8W,AA,TP,1.8X3.2MM		...	T0310	4715-001036	SURGE ABSORBER;500V,20%,--,TP	S.N.A
...	R502	2001-000924	R-CARBON;680OHM,5%,1/8W,AA,TP,1.8X3.2MM		...	EL503	6042-000001	EYELET;ID2.2,OD2.7,L3.1,NI+SN,BSP3-1/2H	S.N.A
...	R532	2001-000995	R-CARBON;820OHM,5%,1/8W,AA,TP,1.8X3.2MM		...	EL504	6042-000001	EYELET;ID2.2,OD2.7,L3.1,NI+SN,BSP3-1/2H	S.N.A
...	R540	2001-001000	R-CARBON;82KOHM,5%,1/8W,AA,TP,1.8X3.2MM		...	EL505	6042-000001	EYELET;ID2.2,OD2.7,L3.1,NI+SN,BSP3-1/2H	S.N.A
...	R528	2001-001015	R-CARBON;9.1KOHM,5%,1/8W,AA,TP,1.8X3.2MM		...	EL533	6042-000001	EYELET;ID2.2,OD2.7,L3.1,NI+SN,BSP3-1/2H	S.N.A
...	R521	2001-001052	R-CARBON(S);1.5MOHM,5%,1/2W,AA,TP,2.4X6.		...	EL534	6042-000001	EYELET;ID2.2,OD2.7,L3.1,NI+SN,BSP3-1/2H	S.N.A
...	R551	2001-001052	R-CARBON(S);1.5MOHM,5%,1/2W,AA,TP,2.4X6.		...	EL535	6042-000001	EYELET;ID2.2,OD2.7,L3.1,NI+SN,BSP3-1/2H	S.N.A
...	R581	2001-001052	R-CARBON(S);1.5MOHM,5%,1/2W,AA,TP,2.4X6.		...	EL563	6042-000001	EYELET;ID2.2,OD2.7,L3.1,NI+SN,BSP3-1/2H	S.N.A
...	R536	2001-001088	R-CARBON(S);1KOHM,5%,1/2W,AA,TP,2.4X6.4M		...	EL564	6042-000001	EYELET;ID2.2,OD2.7,L3.1,NI+SN,BSP3-1/2H	S.N.A
...	R566	2001-001088	R-CARBON(S);1KOHM,5%,1/2W,AA,TP,2.4X6.4M		...	EL565	6042-000001	EYELET;ID2.2,OD2.7,L3.1,NI+SN,BSP3-1/2H	S.N.A
...	R514	2001-001122	R-CARBON(S);3.9KOHM,5%,1/2W,AA,TP,2.4X6.		...	GT501	BH71-40300A	PIN-HINGE;BRASS,D2.36I,HEAT/SINK,SN	S.N.A
...	R544	2001-001122	R-CARBON(S);3.9KOHM,5%,1/2W,AA,TP,2.4X6.		...	GT502	BH71-40300A	PIN-HINGE;BRASS,D2.36I,HEAT/SINK,SN	S.N.A
...	R574	2001-001122	R-CARBON(S);3.9KOHM,5%,1/2W,AA,TP,2.4X6.		...	GT531	BH71-40300A	PIN-HINGE;BRASS,D2.36I,HEAT/SINK,SN	S.N.A
...	R522	2002-001006	R-COMPOSITION;4.7Kohm,15%,1/2W,AA,TP,3.7		...	GT532	BH71-40300A	PIN-HINGE;BRASS,D2.36I,HEAT/SINK,SN	S.N.A
...	R523	2002-001006	R-COMPOSITION;4.7Kohm,15%,1/2W,AA,TP,3.7		...	GT561	BH71-40300A	PIN-HINGE;BRASS,D2.36I,HEAT/SINK,SN	S.N.A
...	R552	2002-001006	R-COMPOSITION;4.7Kohm,15%,1/2W,AA,TP,3.7		...	GT562	BH71-40300A	PIN-HINGE;BRASS,D2.36I,HEAT/SINK,SN	S.N.A
...	R553	2002-001006	R-COMPOSITION;4.7Kohm,15%,1/2W,AA,TP,3.7		...	GT563	BH71-40300A	PIN-HINGE;BRASS,D2.36I,HEAT/SINK,SN	S.N.A
...	R582	2002-001006	R-COMPOSITION;4.7Kohm,15%,1/2W,AA,TP,3.7		...	GT564	BH71-40300A	PIN-HINGE;BRASS,D2.36I,HEAT/SINK,SN	S.N.A
...	R583	2002-001006	R-COMPOSITION;4.7Kohm,15%,1/2W,AA,TP,3.7		...	PCB	AA41-10998C	PCB-CRT;P51A,1L,FR-1,330x245x1.6T,3A,MC-	S.N.A
...	R559	2002-001015	R-COMPOSITION;47Kohm,5%,1/2W,AA,TP,3.7x9		...	LX085	AA27-90001B	COIL-SPARK,GAP;S-23,1.5KV,-,-,-,-,-,-,-,-,-,-,-	

Level	Loc.No.	Code No.	Description;Specification	Remark
...	3	LX085	AA27-90001B	COIL-SPARK,GAP;S-23,1.5KV,-,-,-,-,-,-,-,-,
...	3	LX085	AA27-90001B	COIL-SPARK,GAP;S-23,1.5KV,-,-,-,-,-,-,-,-,
...	3	T0245	0202-001522	SOLDER-WIRE FLUX;LFA3-107,-,D1.2,96.5Sn/

Level	Loc.No.	Code No.	Description;Specification	Remark	
...	4	T0524	6902-000018	BAG PE;LDPE,TO.1,W280,L400,GRY,8,2-	
...	3	AA91-00267B	ASSY-WIRE,CRT;DP,-,7CRT (29.1KG),PROJEC	S.N.A	
...	4	T0524	6902-000073	BAG PE;LDPE,TO.03,L250,W350,TRP,8,2,PE M	S.N.A
...	4	AA91-00103C	ASSY-WIRE,CRT;-,-,7CRT,PROJECTION	S.N.A	
...	5	AA61-00053B	BRACKET-WIRE;PROJECTION,SECC-1,T1.6,-,-,	S.N.A	
...	5	T0210	AA61-00054B	BRACKET-EARTH;PROJECTION,PBS,-,-,-,-,-	S.N.A
...	5	AA61-00055C	BRACKET-CRT,WIRE;PJT,SUS304 1/8H,-,-,-,-	S.N.A	
...	3	T0069	BN60-00027B	SPACER-FELT;PJT,PR,FELT,L20,T1.0,W20	S.N.A
...	3	T0051	BP67-00161D	LENS;LENS,SNI 140,CLEAR,C ELEMENT	S.N.A
...	3	T0109	BP67-00162A	LENS-ASSY;LENS ASSY,SNI 150,RED	S.N.A

ASSY CPT

0.1	T0521	AA91-03693A	ASSY CPT;PCK520R5C/XAA	S.N.A
.2	T0028	AA98-00294F	ASSY K/D-CRT,B;P16LNM7BMB,+380MGBARE,PCJ	S.N.A
△	...	T0078	AA27-50005L	DEFLECTION YOKE;DPD-5292AL(S),S/T,PJT,CR
...	3	T0079	AA27-60003C	MAGNET CONVERGENCE;JH92L,TU-SC-20,PJT-TV,
...	3	T0245	AA39-00018A	LEAD CONNECTOR-ASSY;UL1015#22,UL/CSA,1P
...	3	HC+CW	AA60-10011A	SCREW-HEX;-SWRCH18A,M4,L12,HH,+PC,-,Z
...	3	T0112	AA61-00056B	BRACKET-LENS;PROJECTION,SECC,T1.6,-,-,-,
...	3	T0114	AA61-00057C	HOLDER-CAP;7 PROJECTION,PC,-,-,-,CLEAR,
...	3	T0334	AA63-00060C	SPACER-CRT;PROJECTION,SILICON,-,-,-,GRAY
...	3	T0333	AA63-00061B	SPACER-CAP;PROJECTION,EPDM,-,-,-,BLK,-,-
...	3	AA63-00091C	SPACER-CLENS;PROJECTION,SILICON,-,-,-,GR	
...	3	T0069	AA63-00099A	SPACER-FELT;PJT,FELT,-,-,-,BLK,T1.0,-,30
...	3	T0299	AA63-60025A	SPACER-DY;S4388,NEOPRENE,-,-,-,BLK,-,-,V
...	3	AA64-00737B	CASE-COUPLER,B;DP,PROJECTION,ALDC8,AA64-	
...	4	T0172	AA69-02609A	BAND-PP;W18,CLEA,1G
...	4	AA64-00208B	CASE-COUPLER,B;PROJECTION,ALDC,BLK,7	
...	4	T0524	6902-000018	BAG PE;LDPE,TO.1,W280,L400,GRY,8,2-
...	3	AA91-00267B	ASSY-WIRE,CRT;DP,-,7CRT (29.1KG),PROJEC	
...	4	T0524	6902-000073	BAG PE;LDPE,TO.03,L250,W350,TRP,8,2,PE M
...	4	AA91-00103C	ASSY-WIRE,CRT;-,-,7CRT,PROJECTION	
...	5	AA61-00053B	BRACKET-WIRE;PROJECTION,SECC-1,T1.6,-,-,	
...	5	T0210	AA61-00054B	BRACKET-EARTH;PROJECTION,PBS,-,-,-,-,-
...	5	AA61-00055C	BRACKET-CRT,WIRE;PJT,SUS304 1/8H,-,-,-,-	
...	3	T0069	BN60-00027B	SPACER-FELT;PJT,PR,FELT,L20,T1.0,W20
...	3	T0051	BP67-00161D	LENS;LENS,SNI 140,CLEAR,C ELEMENT
...	3	T0109	BP67-00162C	LENS-ASSY;LENS ASSY,SNI 150,CLEAR
△	...	T0257	AA03-00442A	CRT MONO;P16QDU11BEA N,Free,0.77,3.60,1.
.2	T0027	AA98-00295E	ASSY K/D-CRT,G;P16LNM7HKA,+380MGBARE,PCJ	
...	3	T0079	AA27-00003B	MAGNET CONVERGENCE;JH92L,T-029,29.1MM
△	...	T0078	AA27-50005L	DEFLECTION YOKE;DPD-5292AL(S),S/T,PJT,CR
...	3	T0245	AA39-00018A	LEAD CONNECTOR-ASSY;UL1015#22,UL/CSA,1P
...	3	HC+CW	AA60-10011A	SCREW-HEX;-SWRCH18A,M4,L12,HH,+PC,-,Z
...	3	T0112	AA61-00056B	BRACKET-LENS;PROJECTION,SECC,T1.6,-,-,-,
...	3	T0114	AA61-00057C	HOLDER-CAP;7 PROJECTION,PC,-,-,-,CLEAR,
...	3	T0334	AA63-00060C	SPACER-CRT;PROJECTION,SILICON,-,-,-,GRAY
...	3	T0333	AA63-00061B	SPACER-CAP;PROJECTION,EPDM,-,-,-,BLK,-,-
...	3	AA63-00091C	SPACER-CLENS;PROJECTION,SILICON,-,-,-,GR	
...	3	T0069	AA63-00099A	SPACER-FELT;PJT,FELT,-,-,-,BLK,T1.0,-,30
...	3	T0299	AA63-60025A	SPACER-DY;S4388,NEOPRENE,-,-,-,BLK,-,-,V
...	3	AA64-00736B	CASE-COUPLER,G;DP,PROJECTION,ALDC8,AA64-	
...	4	T0172	AA69-02609A	BAND-PP;W18,CLEA,1G
...	4	AA64-00207B	CASE-COUPLER,G;PROJECTION,ALDC8,BLK,7	
...	4	T0524	6902-000018	BAG PE;LDPE,TO.1,W280,L400,GRY,8,2-
...	3	AA91-00267B	ASSY-WIRE,CRT;DP,-,7CRT (29.1KG),PROJEC	
...	4	T0524	6902-000073	BAG PE;LDPE,TO.03,L250,W350,TRP,8,2,PE M
...	4	AA91-00103C	ASSY-WIRE,CRT;-,-,7CRT,PROJECTION	
...	5	AA61-00053B	BRACKET-WIRE;PROJECTION,SECC-1,T1.6,-,-,	
...	5	T0210	AA61-00054B	BRACKET-EARTH;PROJECTION,PBS,-,-,-,-,-
...	5	AA61-00055C	BRACKET-CRT,WIRE;PJT,SUS304 1/8H,-,-,-,-	
...	3	T0069	BN60-00027B	SPACER-FELT;PJT,PR,FELT,L20,T1.0,W20
...	3	T0051	BP67-00161D	LENS;LENS,SNI 140,CLEAR,C ELEMENT
...	3	T0109	BP67-00162B	LENS-ASSY;LENS ASSY,SNI 150,GREEN
△	...	T0257	AA03-00441A	CRT MONO;P16QDU11GHA N,Free,0.77,3.60,1.
.2	T0026	AA98-00297F	ASSY K/D-CRT,R;P16LNM7RJA,+380MGBARE,PCJ	
...	3	T0257	AA03-10026U	CRT MONO;P16LNM07RJA,FREE,3.93MH,2.38MH,
...	3	T0079	AA27-00003B	MAGNET CONVERGENCE;JH92L,T-029,29.1MM
△	...	T0078	AA27-50005L	DEFLECTION YOKE;DPD-5292AL(S),S/T,PJT,CR
...	3	T0245	AA39-00018A	LEAD CONNECTOR-ASSY;UL1015#22,UL/CSA,1P
...	3	HC+CW	AA60-10011A	SCREW-HEX;-SWRCH18A,M4,L12,HH,+PC,-,Z
...	3	T0112	AA61-00056B	BRACKET-LENS;PROJECTION,SECC,T1.6,-,-,-,
...	3	T0114	AA61-00057C	HOLDER-CAP;7 PROJECTION,PC,-,-,-,CLEAR,
...	3	T0334	AA63-00060C	SPACER-CRT;PROJECTION,SILICON,-,-,-,GRAY
...	3	T0333	AA63-00061B	SPACER-CAP;PROJECTION,EPDM,-,-,-,BLK,-,-
...	3	AA63-00091C	SPACER-CLENS;PROJECTION,SILICON,-,-,-,GR	
...	3	T0069	AA63-00099A	SPACER-FELT;PJT,FELT,-,-,-,BLK,T1.0,-,30
...	3	T0299	AA63-60025A	SPACER-DY;S4388,NEOPRENE,-,-,-,BLK,-,-,V
...	3	AA64-00735B	CASE-COUPLER,RED;DP,PROJECTION,ALDC8,AA6	
...	4	T0172	AA69-02609A	BAND-PP;W18,CLEA,1G
...	4	AA64-00206B	CASE-COUPLER,R;PROJECTION,ALDC8,BLK	

ASSY SKD PART

0.1	AA92-04088A	ASSY SKD PART;PCK520R5C/XAA	S.N.A	
.2	T0121	3301-001201	CORE-FERRITE;AE,21x11x32mm,1500,280G	
.2	D/B	AA26-30006E	TRANS FBT;-FWZ-50A001B(S),50KV,-	
.2	T0903	AA26-30006F	TRANS FBT-ANODE CAP ASSY;-FWZ-50A001C,	
.2	T0103	AA59-40003P	MODULE-FOCUS,PACK;-F300,NTSC,43,64x62,B	
.2	T0603	AA63-10002A	BAND-TIE;NYLON66 V2,L100,NTR,0.7, 0.7 G	
.2	T0603	AA63-10002B	BAND-TIE;NYLON66 V2,L140,NTR,0.7, 0.7 G	
.2	CIS1	AA65-30018A	CLAMPER CORE-WIRE;DONG-A,NYLON-66,-,-,-,	
.2	CIS1	AA65-30104B	CLAMPER CORE-WIRE;ALL MODEL,NYLON 66,V2,	
.2	CIS1	AA65-30105B	CLAMPER CORE-WIRE;ALL MODEL,NYLON 66,V2,	
△	.2	T0066	AA96-20129G	ASSY POWER CORD;-EP2YES,H/S50mm,KJ10W,
...	3	3811-001609	WIRE-PVC CU;BCWA,300V,ROLL,-,#22,BLK	
...	3	T0268	AA39-10007Y	CBF-POWER CORD;-EP2YES,SPT-2 18AWGx2C,
...	3	T0010	AA61-20284A	HOLDER;P-CORD,PP,-,-,-,BLK,VO,KE-002
...	2	T0245	AA39-20577B	LEAD CONNECTOR-ASSY;P54A/SVP-55W3HD,UL16

ASSY P/MATERIAL

0.1	M0113	AA92-04632A	ASSY P/MATERIAL;PCK520R5C/XAA	S.N.A
.2	T0214	AA60-40006A	PIN-STAPLE;AUTO,33X17.8X2.4,H18,33X17.8X	
.2	T0214	AA61-20285A	HOLDER-BOX;CTV,PP,NTR,HB	
.2	T0172	AA69-02609A	BAND-PP;W18,CLEA,1G	
.2	M0081	6902-000611	BAG ROLL;PE FOAM,T1.0,-,-,-,-,-	
.2	T0524	6902-000008	BAG PE;HDPE/NITRON/HDPE,TO.015/T0.5/T0.0	

ASSY ACCESSORY

0.1	M0045	AA92-04904A	ASSY ACCESSORY;PCK520R5C/XAA	S.N.A
.2	T0116	AA39-00006A	CABLE RCA;3000MM	
.2	T0074	AA59-00096A	REMOCON;AMERICA,TM57,EX,L/GRAY,45,KS88P0	
.3	T0119	AA09-00275A	IC MICO;Z86L8808SSC-R51PX,SOP,ST,SZTM-8	
.3	T0122	2802-000194	RESONATOR-CERAMIC;8MHz,1.0%,TP,8.5x4.5x5	
.2	AA68-00371C	CARD WARRANTY-04;SEA,WP100(G),1 YEAR		
.2	T0511	AA68-00532D	MANUAL USERS;PC;J522R/612R/520R,-,ENG,-,W	
.2	MP1.0	AA68-40065B	CARD-01,REGISTRATION;SEA,A5,ENG,A/P220,	
.2	T0524	6902-000023	BAG PE;LDPE,TO.08,L120,W150,TRP,-,PE MAR	
.2	T0524	6902-000018	BAG PE;LDPE,TO.1,W280,L400,GRY,8,2-	

ASSY K/D-SKD P/MATERIAL

0.1	AA98-01629F	ASSY K/D-SKD P/MATERIAL;PJT,SKD FORMAT-	S.N.A
.2	T0376	6902-000001	BAG AIR;LDPE,TO.2,L1800,W1000,TRP,,,LDPE
.2	T0376	6902-000061	BAG AIR;LDPE,TO.2,L1000,W500,TRP,,,
.2	T0214	AA60-40006A	PIN-STAPLE;AUTO,33X17.8X2.4,H18,33X17.8X
.2	M0081	6902-000611	BAG ROLL;PE FOAM,T1.0,-,-,-,-,-
.2	...	6902-000604	BAG WRAPPING;LDPE,TO.02,W500,L10000,TRP,
.2	T0172	AA69-02609A	BAND-PP;W18,CLEA,1G

ASSY COVER FRONT

0.1	M0001	AA90-02652A	ASSY COVER FRONT;PCK520R5C/XAA	S.N.A
.2	T0081	6002-000214	SCREW-TAPPING;TH,+,-,1,M4,0.L16,ZPC(BLK)	
.2	M0081	6003-001026	SCREW-TAPTITE;RH,+,-,B,M4,L15,ZPC(BLK),SWR	
.2	M0081	6003-001026	SCREW-TAPTITE;RH,+,-,B,M4,L15,ZPC(BLK),SWR	
.2	M0081	6006-001095	SCREW-TAPTITE;WP,BH,+,-,M4,L12,ZPC(YEL),SW	

Level	Loc.No.	Code No.	Description;Specification	Remark	Level	Loc.No.	Code No.	Description;Specification	Remark
.2	T0600	AA60-00036C	SPACER-COVER,DUST;PCJ522,SPONGE 94HF-1,B	S.N.A	.2	T0264	AA63-00021C	SPACER-MIRROR;SP-524JMF,PVC,-,-,BLK,-,	S.N.A
.2	ABM+CM	AA60-10001A	BOLT-ETC,-;SCM30C,M6,L20,WSP,+WP,-ZP	S.N.A	.2	T0264	AA63-00021D	SPACER-MIRROR;SP-524JMF,PVC,-,-,BLK,-,	S.N.A
.2	HC+CW	AA60-10011A	SCREW-HEX,-;SWRCH18A,M4,L12,HH,+PC,-,Z	S.N.A	.2	T0264	AA63-00021G	SPACER-MIRROR;524J,434J,PVC,-,-,BLK,-,	S.N.A
.2	HC+CW	AA60-10011A	SCREW-HEX,-;SWRCH18A,M4,L12,HH,+PC,-,Z	S.N.A	.2	T0329	AA64-00687B	CABINET-BACK,BOARD;524J,-,-,-,-,-,AA64	S.N.A
.2	HC+CW	AA60-10011A	SCREW-HEX,-;SWRCH18A,M4,L12,HH,+PC,-,Z	S.N.A	.3	M0081	6902-000611	BAG ROLL;PE FOAM,T1.0,-,-,-,-	S.N.A
.2	HC+CW	AA60-10011A	SCREW-HEX,-;SWRCH18A,M4,L12,HH,+PC,-,Z	S.N.A	.3	T0329	AA64-00501A	CABINET-BACK,BOARD;PCJ522R,HIPS,T3,-,-,V	S.N.A
.2	HC+CW	AA60-10011A	SCREW-HEX,-;SWRCH18A,M4,L12,HH,+PC,-,Z	S.N.A	.2	M0045	AA64-31302G	CABINET-BACK,TOP;DP,524J521J,53J2,AA64-3	S.N.A
.2	HC+CW	AA60-10011A	SCREW-HEX,-;SWRCH18A,M4,L12,HH,+PC,-,Z	S.N.A	.3	T0214	AA60-40007A	PIN-STAPLE;HAND,H18,W35,H18,W35	S.N.A
.2	HC+CW	AA60-10050W	SCREW-WOOD,-;SWRCH18A,M4,20,W/H,+,-,ZP	S.N.A	.3	T0172	AA69-02609A	BAND-PP;W18,CLEA,1G	S.N.A
.2	HC+CW	AA60-10050W	SCREW-WOOD,-;SWRCH18A,M4,20,W/H,+,-,ZP	S.N.A	.3	M0081	6902-000611	BAG ROLL;PE FOAM,T1.0,-,-,-,-	S.N.A
.2	HC+CW	AA60-10050W	SCREW-WOOD,-;SWRCH18A,M4,20,W/H,+,-,ZP	S.N.A	.3	M0045	AA64-30714A	CABINET-BACK,TOP;S5288,HIPS,-,-,-,HB,BLK	S.N.A
.2	HC+CW	AA60-10050W	SCREW-WOOD,-;SWRCH18A,M4,20,W/H,+,-,ZP	S.N.A	.4		0103-002252	RESIN-HIPS;HR-1360,GRY,C7425,HB	S.N.A
.2	HC+CW	AA60-10050W	SCREW-WOOD,-;SWRCH18A,M4,20,W/H,+,-,ZP	S.N.A	.2	T0522	AA65-30008A	CLAMPER CORE-CORD,-,PE,HB,-,BLK,-	S.N.A
.2	HC+CW	AA60-10050X	SCREW-WOOD,-;SWRCH18A,M3.5,L32,PH,+,-,-	S.N.A	.2	T0054	AA67-00026A	SCREEN LENTI;52,PMMA,1087*815,3T	S.N.A
.2	HC+CW	AA60-10051A	SCREW-WOOD,-;SWRCH18A,M4,L16,PH,+,-,-ZP	S.N.A	.2		AA67-20026A	MIRROR-BACK SURFACE;52',GLASS,3.0,BSM	S.N.A
.2	HC+CW	AA60-10051B	SCREW-WOOD,-;SWRCH18A,M3.5,L11,RH,+,-,-	S.N.A					
.2	WOOD	AA60-20050A	NUT-INSERT;M6,L8,PROJECTION	S.N.A					
.2	T0156	AA61-00094B	HOLDER-RAIL;PCJ533R,ABS,-,-,BLK,HB,240	S.N.A					
.2	T0156	AA61-00094C	HOLDER-RAIL;PCJ533R,ABS,-,-,BLK,HB,480	S.N.A					
.2	M0114	AA61-00097A	HOLDER-WIRE,-;NYLON 6/6,-,-,-,NTR,-	S.N.A					
.2		AA61-00157A	SUPPORT-VINYL,BOND;PRJT,D424 VINYL BOND,	S.N.A					
.2	WOOD	AA61-00158A	SUPPORT-WOOD,BOND;PRJT,D420 WOOD BOND,-,	S.N.A					
.2		AA61-00282A	BRACKET-MAIN,M;524J,-,-,-,-,AA61-00152	S.N.A					
.3		AA61-00152B	BRACKET-MAIN,M;7 PROJECTION,SECC,-,-,-,	S.N.A					
.2		AA61-00283A	BRACKET-MAIN,S;524J,-,-,-,-,AA61-00153	S.N.A					
.3		AA61-00153B	BRACKET-MAIN,S;7 PROJECTION,SECC,-,-,-,	S.N.A					
.2	T0951	AA61-00400A	BRACKET-SCREEN,SIDE;DP,524J,AA61-10367B	S.N.A					
.3	T0951	AA61-10367B	BRACKET-SCREEN,SIDE;524J,SECC-1,T1.0,-,-,N	S.N.A					
.2		AA61-00401A	BRACKET-SCREEN,B;DP,524J,AA61-10368A	S.N.A					
.3		AA61-10368A	BRACKET-SCREEN,B;S5288,SECC-1,T1.0,-,-,-	S.N.A					
.2		AA61-10165A	BRACKET-BOT;PRJT,SECC,T1.0,-,-,-,NTR,-	S.N.A					
.2	T0519	AA61-10387A	BRACKET-GRILLE;SVP-462J,SECC-1,T0.5,-,-,-	S.N.A					
.2	WOOD	AA61-20101A	HOLDER-MASK,AR;S4388,ABS,-,-,BLK,HB	S.N.A					
.2	WOOD	AA61-20101B	HOLDER-MASK,AL;S4388,ABS,-,-,BLK,HB	S.N.A					
.2	WOOD	AA61-20124A	HOLDER-MASK,B;S4388,ABS,-,-,BLK,HB	S.N.A					
.2	CABMID	AA61-90010A	CASTER;PROJECTION,NYL,-,OD40,-,W18,-	S.N.A					
.2	T0069	AA63-60126A	SPACER-FELT;PRJT43,52,FELT,-,-,-,BLK,T2,	S.N.A					
.2	T0069	AA63-60126B	SPACER-FELT;PRJT52,FELT,-,-,-,BLK,T2,-,8	S.N.A					
.2	T0069	AA63-60126D	SPACER-FELT;PRJ61,FELT,-,-,-,T2,-,400X	S.N.A					
.2	T0069	AA63-60131A	SPACER-FELT;SVP403J,FELT,-,-,-,BLK,T0.5,	S.N.A					
.2		AA64-00145A	CABINET-FRONT,B;SP-528JMF,ABS,-,-,-,V0,B	S.N.A					
.3	M0081	6902-000611	BAG ROLL;PE FOAM,T1.0,-,-,-,-	S.N.A					
.3		AA64-31357A	CABINET-FRONT,B;SVP-524J,ABS,-,-,-,V0,BL	S.N.A					
.2	CIS7	AA64-60449B	INLAY-COVER;SP-434JMF,PS,T0.5,149.3X69.5	S.N.A					
.2	CABMID	AA66-40010A	ROLLER-PAPER;PAPER,OD50,L80,T3,-,SPT-521	S.N.A					
.2	T0003	AA91-00048F	ASSY CABINET FRONT;DP,524J,D703+B702 NO-	S.N.A					
.3	M0081	6003-001022	SCREW-TAPTITE;RH,+ ,B.M3,L12,ZPC(BLK),SWR	S.N.A					
.3	M0081	6003-001022	SCREW-TAPTITE;RH,+ ,B.M3,L12,ZPC(BLK),SWR	S.N.A					
.3	CIS7	AA61-60005A	SPRING ETC-CS,-;SUS304,-,-,OD10.7,N4,OD1	S.N.A					
.3	M0081	6902-000611	BAG ROLL;PE FOAM,T1.0,-,-,-,-	S.N.A					
.3	T0022	AA64-10764B	KNOB-CONTROL,-;ABS,-,-,-,HB,GRAY,-,S/ME	S.N.A					
.3	T0023	AA64-10765F	KNOB-POWER,-;ABS,-,-,-,HB,GRAY,-,S/META	S.N.A					
.3		AA64-31356M	CABINET-FRONT,T;524J,HIPS,-,-,-,HB,BLK,D	S.N.A					
.4		AA61-40012A	BOSS-CABINET;S5288,HIPS,-,-,-,NTR,HB	S.N.A					
.4		AA61-40026A	BOSS-CABINET;S4388.5288,HIPS,-,-,-,NTR,H	S.N.A					
.3	T0071	AA64-40493A	INDICATOR-LED;SVP-434JA,ABS,-,CLR,-,-,-	S.N.A					
.3	T0061	AA64-40494A	WINDOW-REMOCON,-;SVP-434J,-,PC,-,VIOLET,	S.N.A					
.3		AA64-60440E	INLAY-AV,SIDE;PCJ533R,PS,T0.3,-,-,GRY,E2	S.N.A					
.3	T0057	BP64-00177A	BADGE-BRAND;ALL,AL,T1.5,70,11.3,BLK,SILI	S.N.A					
.3	T0382	BP61-00509C	HOLDER-CARE;PJT,ACRYL-FOAM,T0.25,W20.0mm	S.N.A					
.2		AA98-00333D	ASSY K/D-SPEAKER;20W(3001-001107),30W(30	S.N.A					
.3	T0082	3001-000176	SPEAKER;30W,8OHM,93DB,65HZ	S.N.A					
.3	T0082	3001-001107	SPEAKER;20W,8OHM,95DB,1300HZ	S.N.A					
.3	T0245	AA39-00042A	LEAD CONNECTOR-ASSY,-,2.2UF,200MM,REC,REC	S.N.A					
.3	T0245	AA39-20505U	LEAD CONNECTOR-ASSY,-,4P,1200/800MM,YSH25	S.N.A					
.2	T0069	AA63-60002V	SPACER-FELT,-;FELT,-,-,-,BLK,T0.3,-,60X4	S.N.A					
.2	T0516	BP61-00447A	HOLDER-CASTER;PJT,V,HIPS,T1.5,Dia41mm	S.N.A					

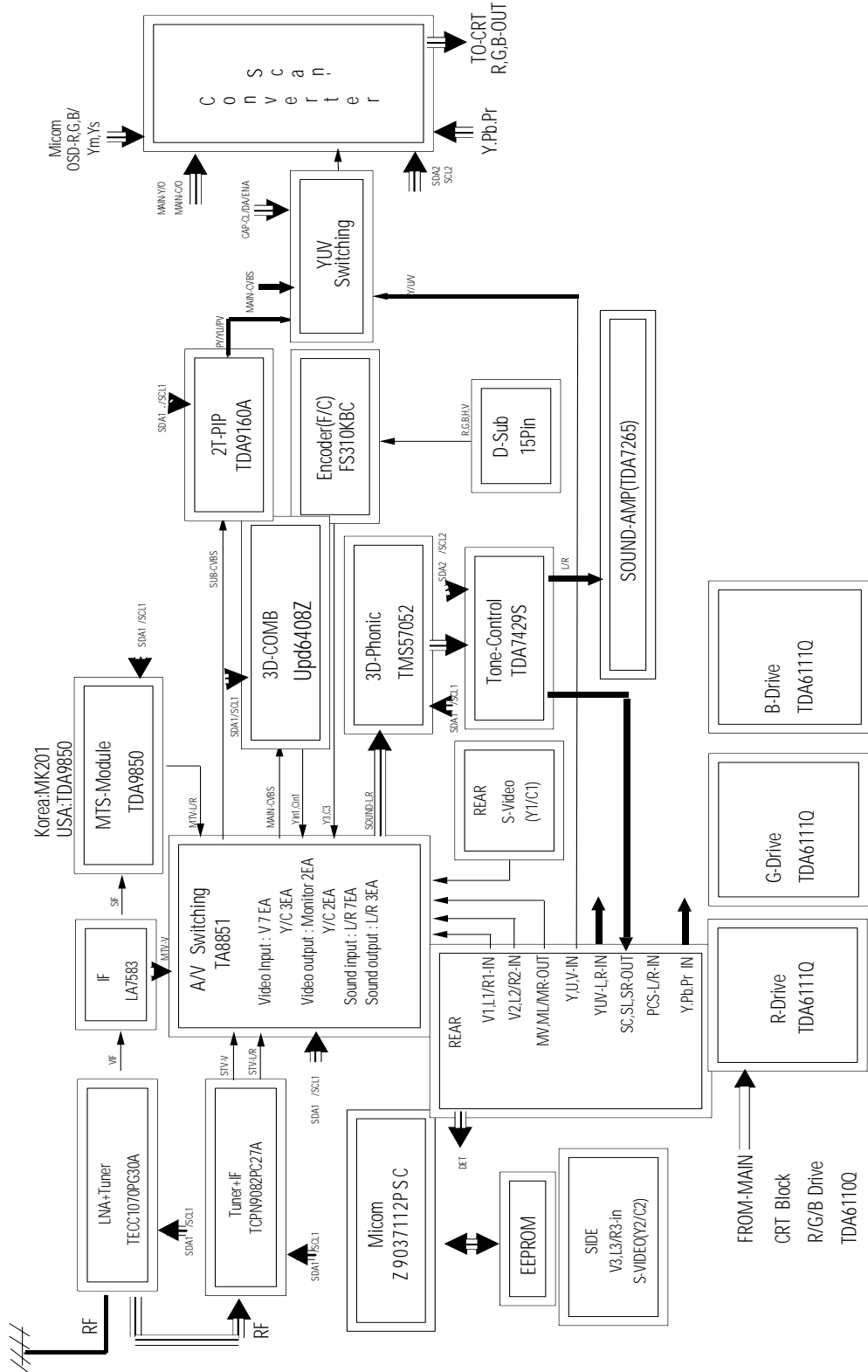
ASSY COVER REAR

0.1	M0002	AA90-02924A	ASSY COVER REAR;PCK520R5C/XAA	S.N.A
.2	T0505	AA61-11035A	BRACKET-MIRROR;PCH521R,SECC,T1.0,-,-,NTR	S.N.A
.3	T0505	AA61-10361A	BRACKET-MIRROR;S5288,SECC-1,T1.0,-,-,-	S.N.A
.2		AA61-11036B	BRACKET-MIRROR,C;SP53J2,SECC-1,-,-,-,NTR	S.N.A
.3		AA61-10242A	BRACKET-MIRROR,C;S5288,SECC-1,T1.0,-,-,-	S.N.A

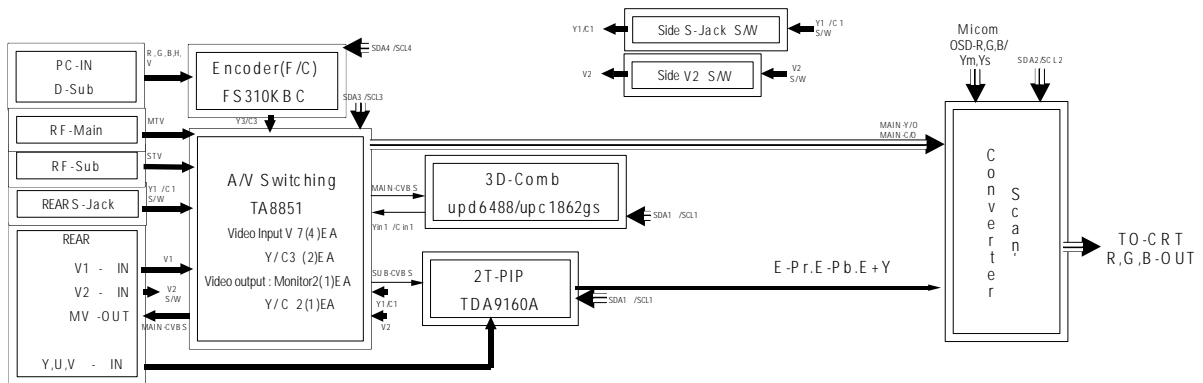
MEMO

8. Block Diagrams

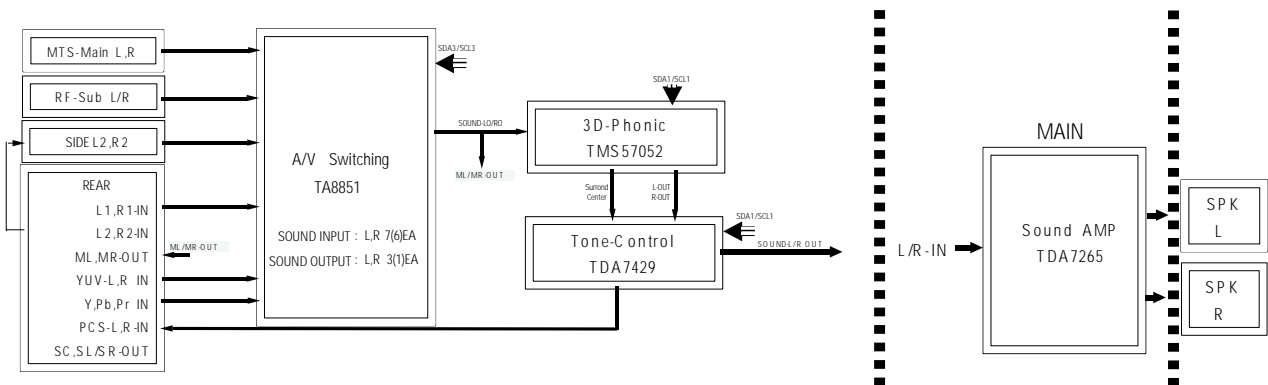
8-1 Main Signal



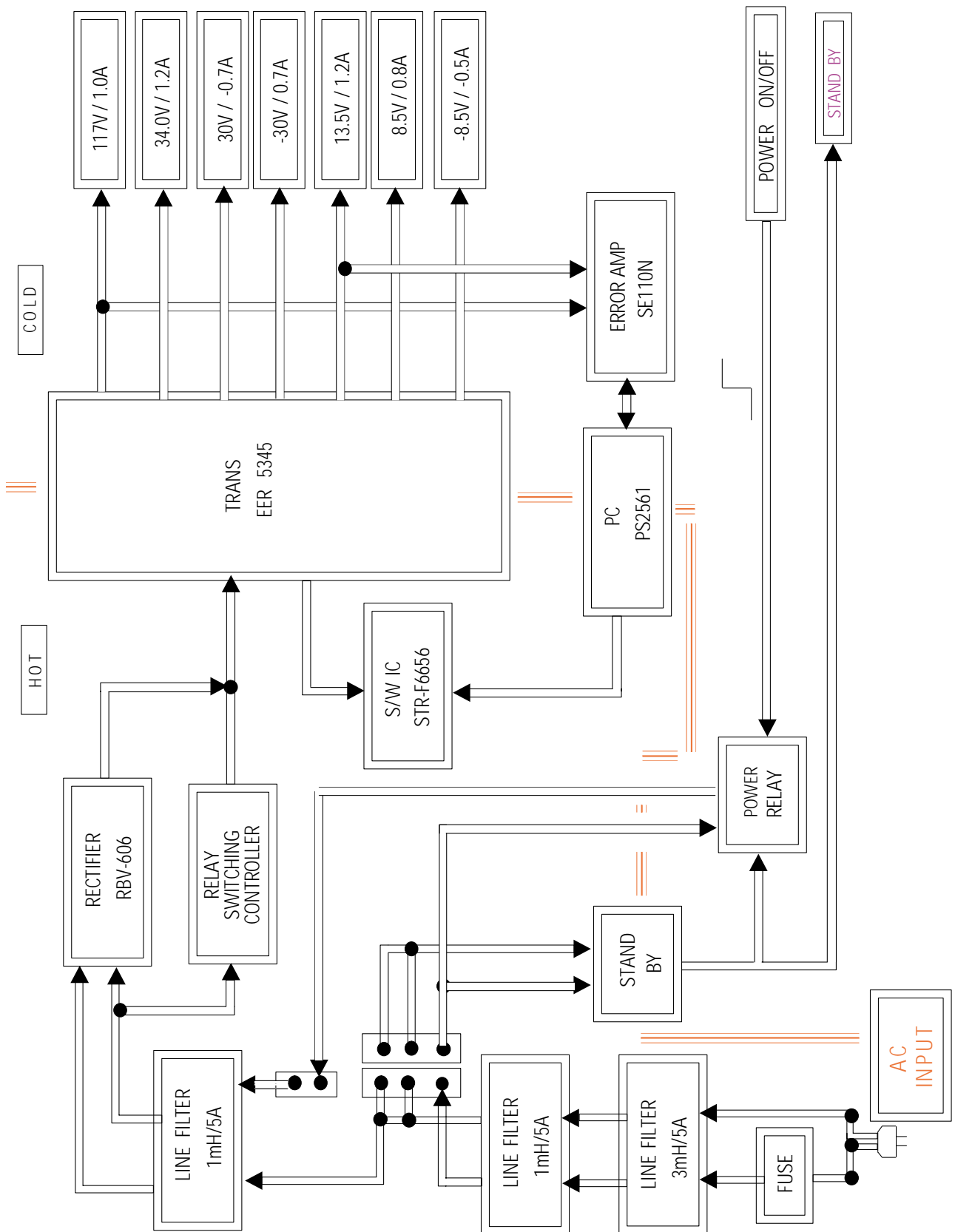
8-2 VIDEO SIGNAL



8-3 Sound SIGNAL

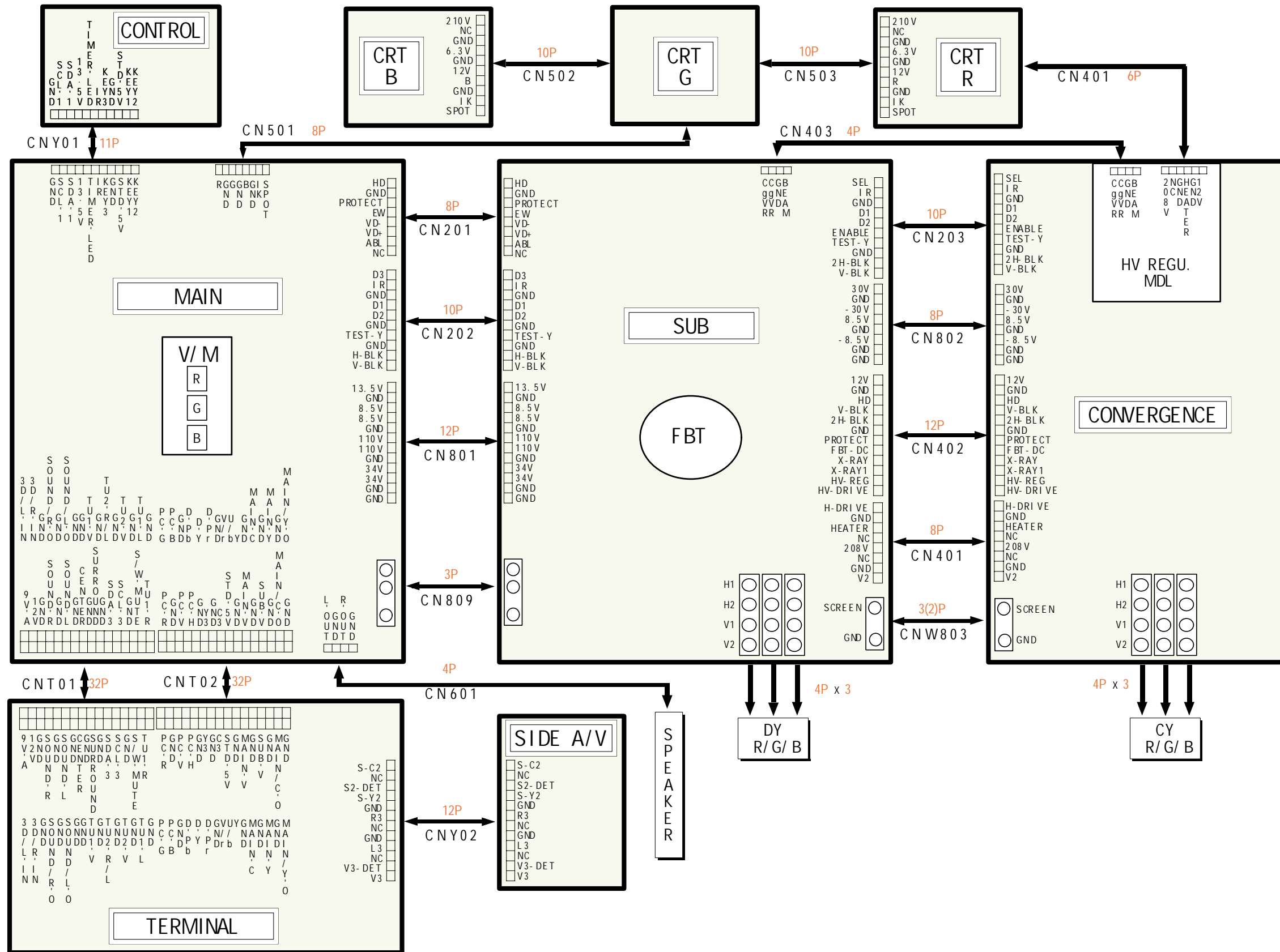


8-4 POWER SUPPLY



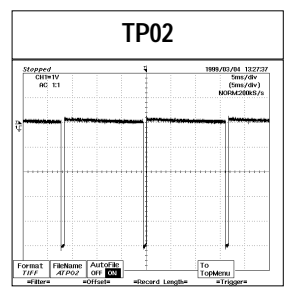
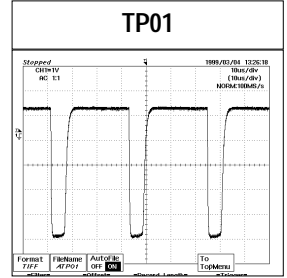
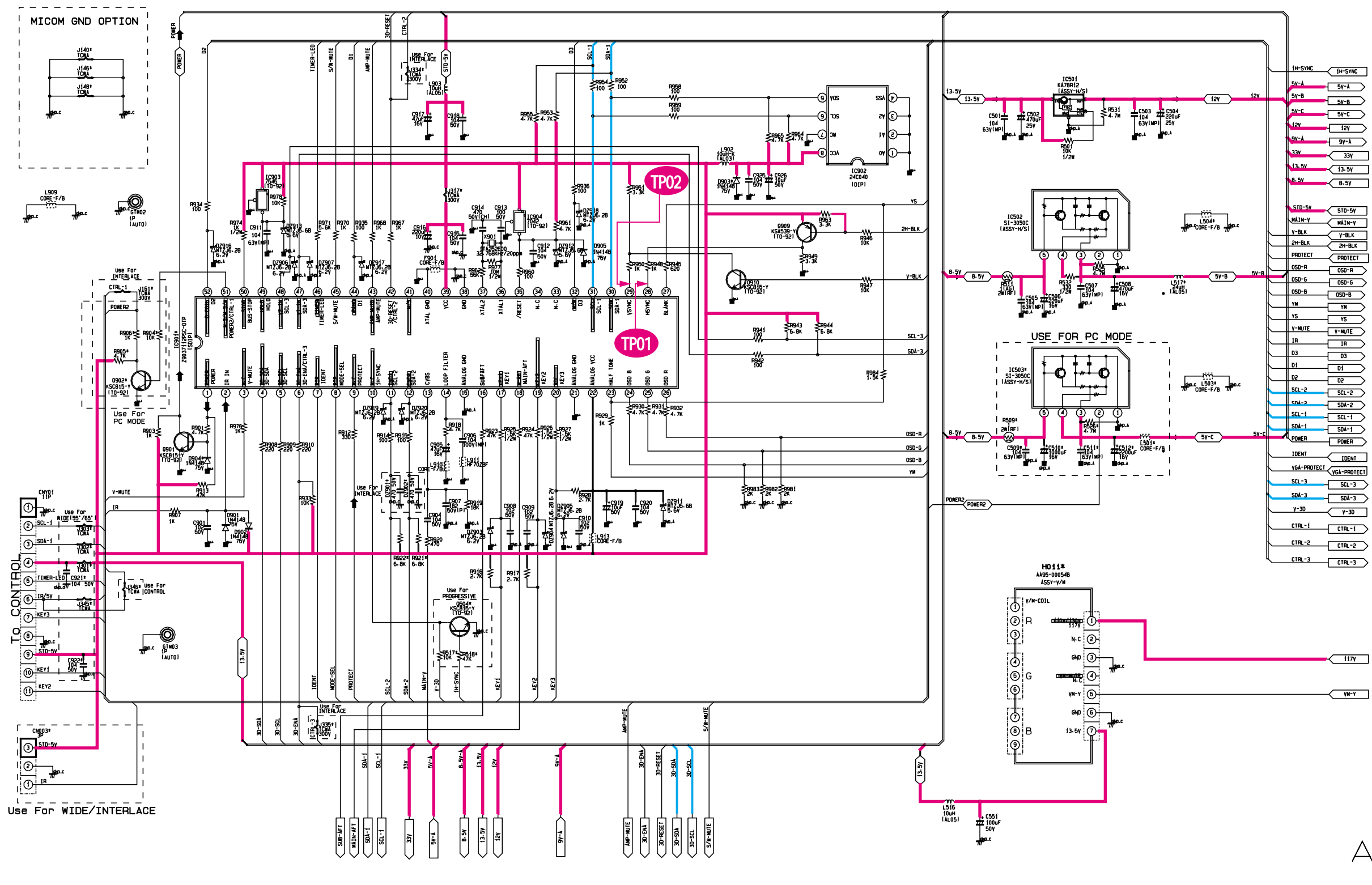
MEMO

9. Wiring Diagram



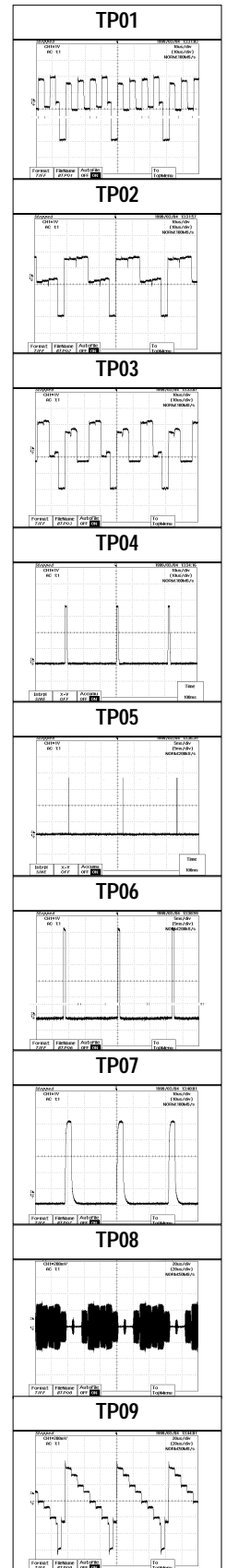
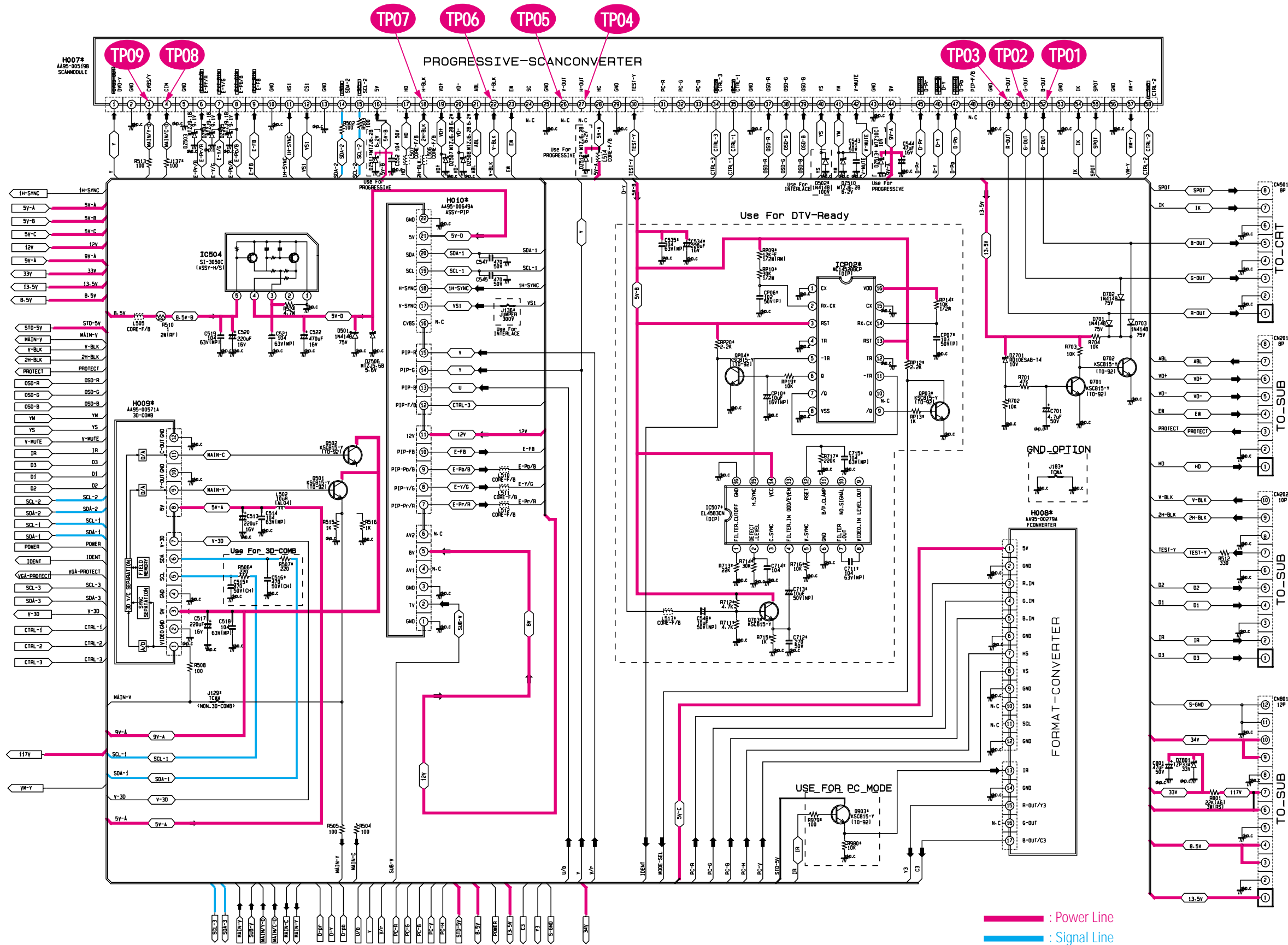
10. Schematic Diagrams

10-1 MAIN A



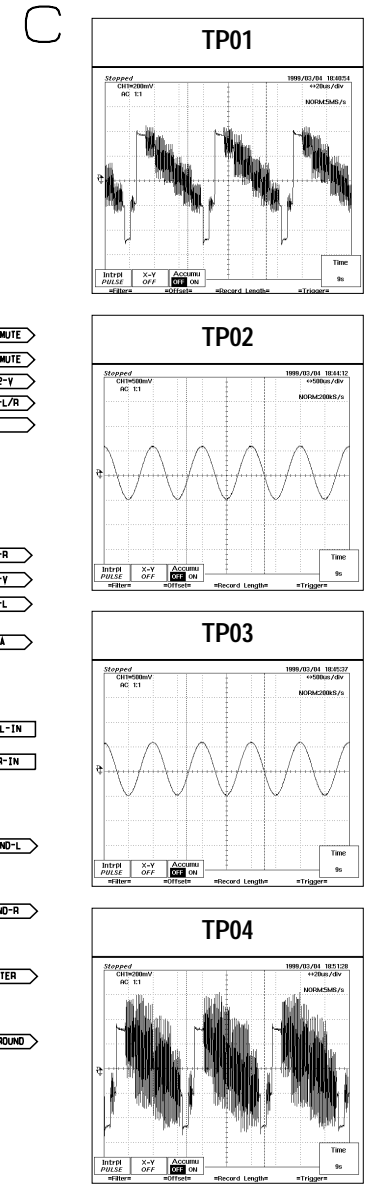
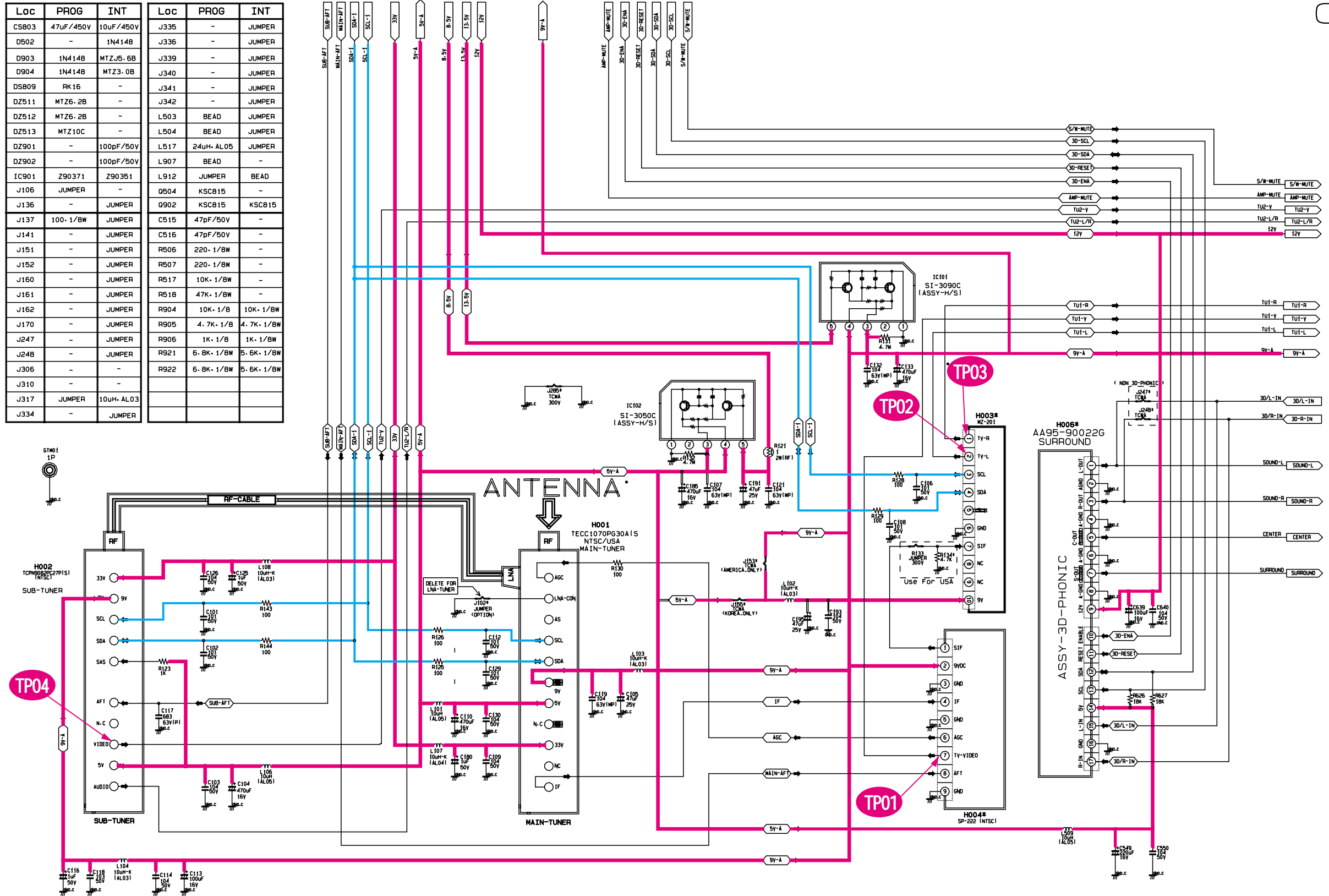
— : Power Line
— : Signal Line

10-2 MAIN B



10-3 MAIN C

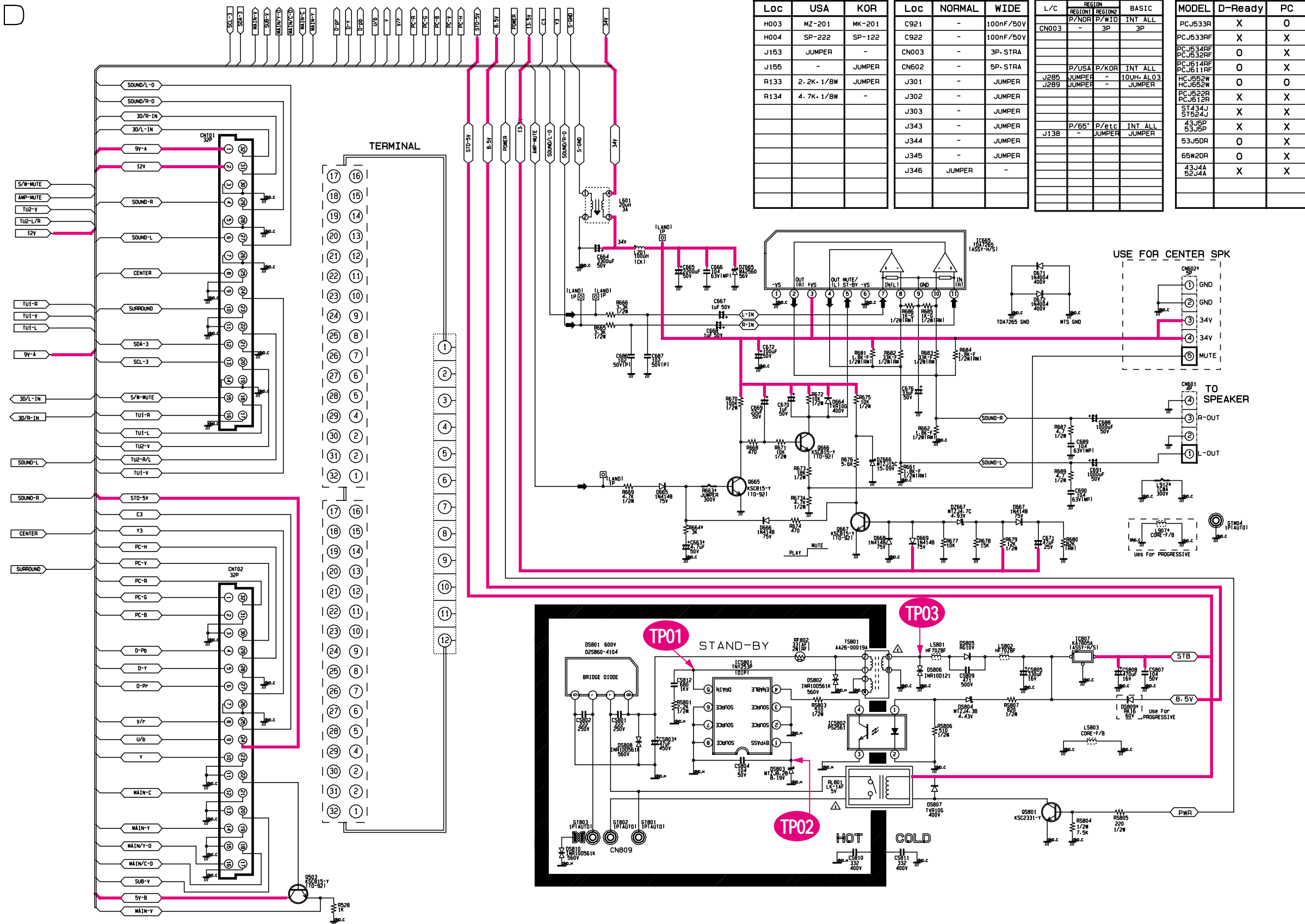
Loc	PROG	INT	Loc	PROG	INT
C5803	47uF/450V	10uF/450V	J335	-	JUMPER
D502	-	1N4148	J336	-	JUMPER
D903	1N4148	MTZJ5.6B	J339	-	JUMPER
D904	1N4148	MTZ3.0B	J340	-	JUMPER
D5809	RK16	-	J341	-	JUMPER
DZ511	MTZ6.2B	-	J342	-	JUMPER
DZ512	MTZ6.2B	-	L503	BEAD	JUMPER
DZ513	MTZ10C	-	L504	BEAD	JUMPER
DZ901	-	100pF/50V	L517	24uH-AL05	JUMPER
DZ902	-	100pF/50V	L907	BEAD	-
IC901	Z90371	Z90351	L912	JUMPER	BEAD
J106	JUMPER	-	O504	KSC815	-
J136	-	JUMPER	O902	KSC815	KSC815
J137	100-1/BW	JUMPER	C515	47pF/50V	-
J141	-	JUMPER	C516	47pF/50V	-
J151	-	JUMPER	R506	220-1/BW	-
J152	-	JUMPER	R507	220-1/BW	-
J160	-	JUMPER	R517	10K-1/BW	-
J161	-	JUMPER	R518	47K-1/BW	-
J162	-	JUMPER	R904	10K-1/B	10K-1/BW
J170	-	JUMPER	R905	4.7K-1/B	4.7K-1/BW
J247	-	JUMPER	R906	1K-1/B	1K-1/BW
J248	-	JUMPER	R921	6.8K-1/BW	5.6K-1/BW
J306	-	-	R922	6.8K-1/BW	5.6K-1/BW
J310	-	-			
J317	JUMPER	10uH-AL03			
J334	-	JUMPER			



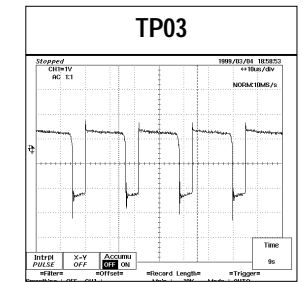
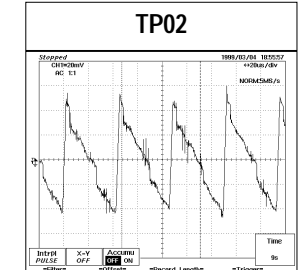
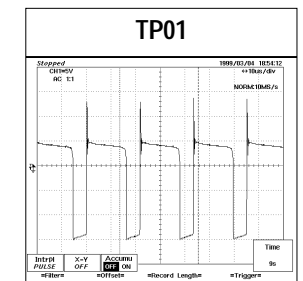
— : Power Line
— : Signal Line

10-4 MAIN D

D

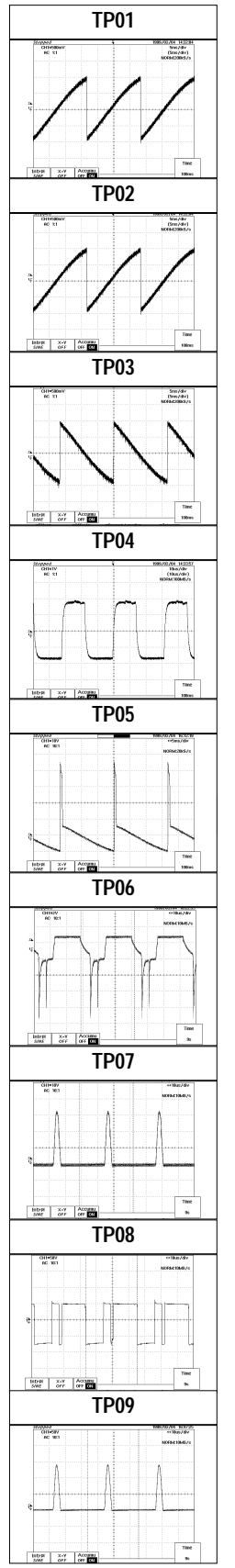
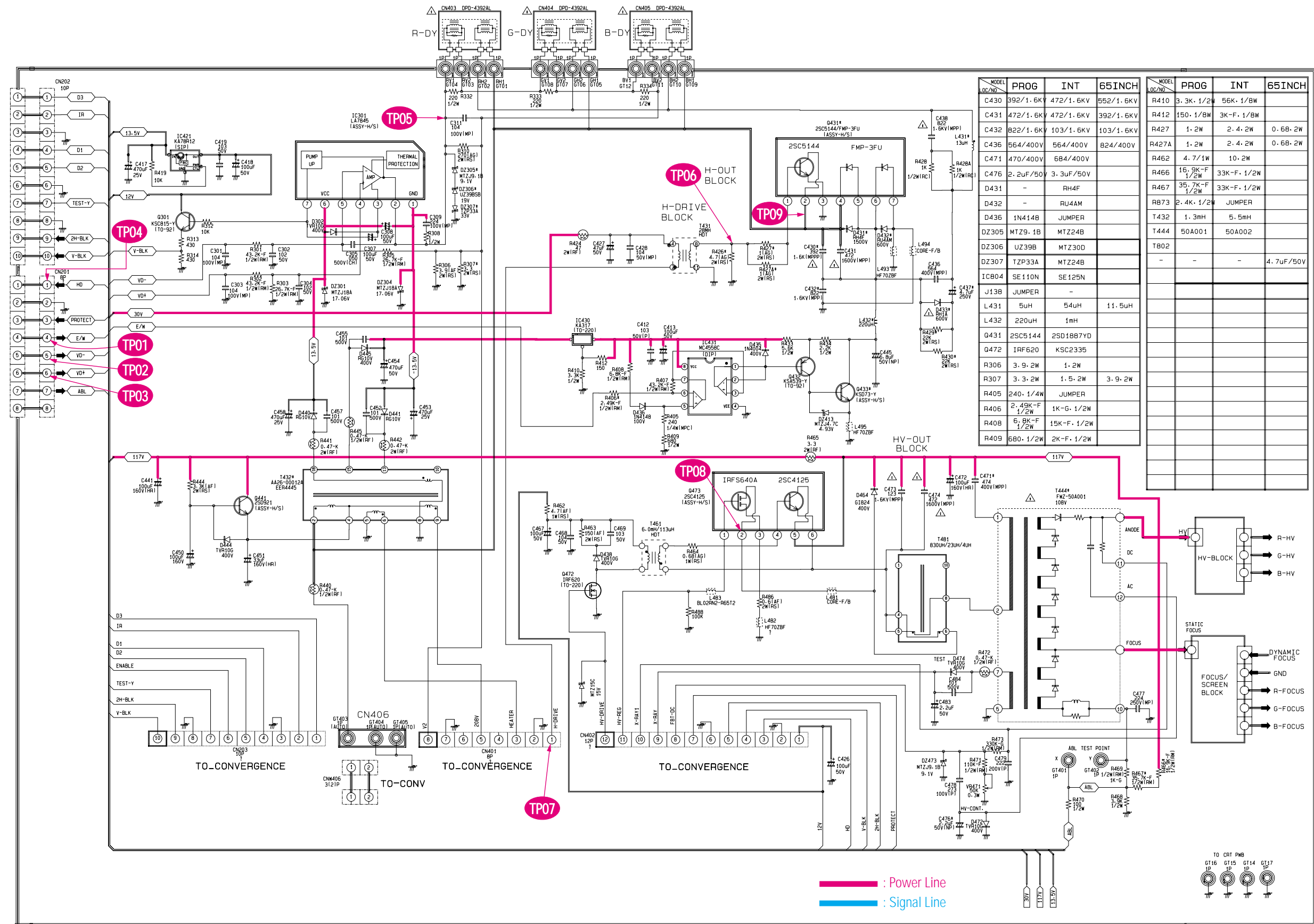


Loc	USA	KOR	Loc	NORMAL	WIDE	L/C	REGION1	REGION2	BASIC	MODEL	D-Ready	PC
H003	MZ-201	MK-201	C921	-	100nF/50V		P/NOR	P/WID	INT ALL	PCJ533R	X	0
H004	SP-222	SP-122	C922	-	100nF/50V					PCJ533RF	X	X
J153	JUMPER	-	CN003	-	3P- STRA					PCJ534RF	0	X
J155	-	JUMPER	CN602	-	5P- STRA		P/USA	P/KOR	INT ALL	PCJ514RF	0	X
R133	2.2K- 1/8W	JUMPER	J301	-	JUMPER		J289	JUMPER	100uH-AL03	PCJ552W	0	0
R134	4.7K- 1/8W	-	J302	-	JUMPER		J289	JUMPER	JUMPER	PCJ522R	X	X
			J303	-	JUMPER					PCJ512R	X	X
			J343	-	JUMPER					ST434J	X	X
			J344	-	JUMPER		P/65	P/etc	INT ALL	43J5P	X	X
			J345	-	JUMPER		J13B	JUMPER	JUMPER	53J5DR	0	X
			J346	-	JUMPER					65W2DR	0	X
										43J4A	X	X
										52J4A	X	X

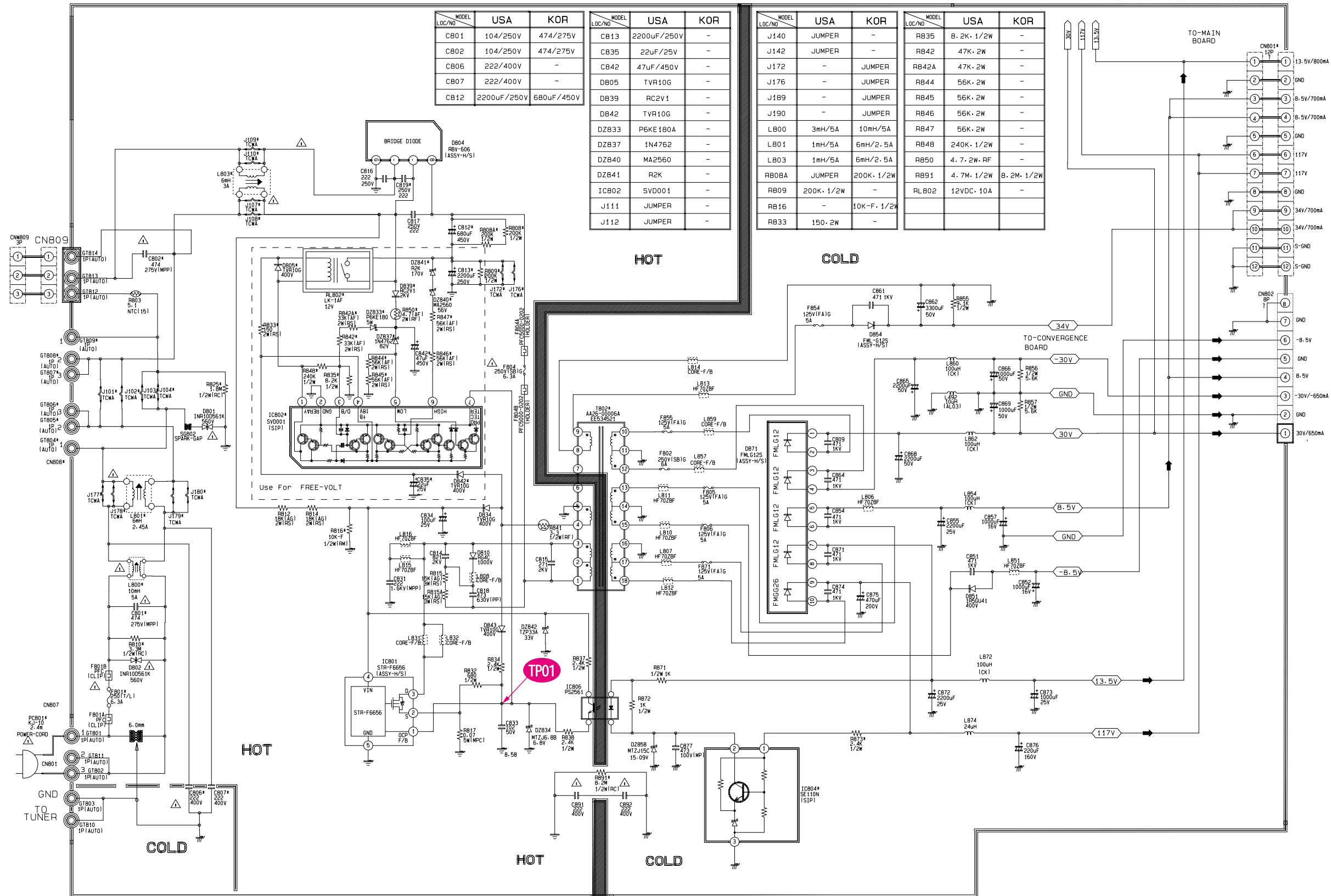


Power Line : Pink
Signal Line : Blue

10-5 SUB (POWER+DEFL) -1



10-6 SUB (POWER+DEFL) -2

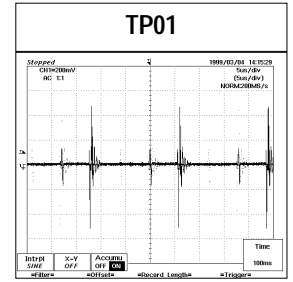


MODEL	USA	KOR
LOC/NO		
CB01	104/250V	474/275V
CB02	104/250V	474/275V
CB06	222/400V	-
CB07	222/400V	-
CB12	2200uF/250V	680uF/450V

MODEL	USA	KOR
LOC/NO		
CB13	2200uF/250V	-
CB35	22uF/25V	-
CB42	47uF/450V	-
DB05	TVR10G	-
DB39	RC2V1	-
DB42	TVR10G	-
DZ833	P6KE180A	-
DZ837	1N4762	-
DZ840	MA2560	-
DZ841	R2K	-
IC802	SVD001	-
J111	JUMPER	-
J112	JUMPER	-

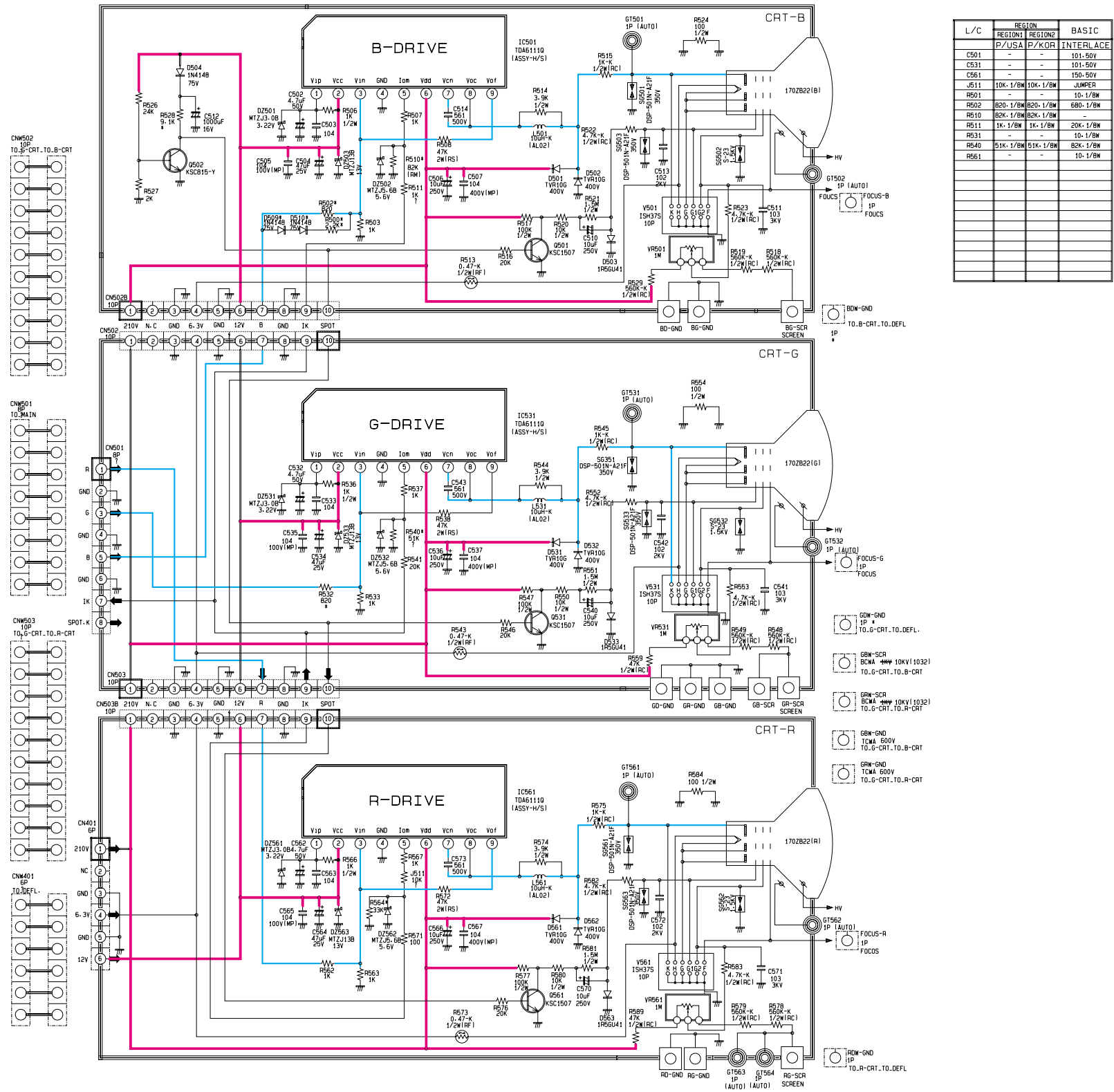
MODEL	USA	KOR
LOC/NO		
J140	JUMPER	-
J142	JUMPER	-
J176	-	JUMPER
J189	-	JUMPER
J190	-	JUMPER
L800	3mH/5A	10mH/5A
L801	1mH/5A	6mH/2.5A
L803	1mH/5A	6mH/2.5A
RB08A	JUMPER	200K-1/2W
RB09	200K-1/2W	-
RB16	-	10K-F-1/2W
RB33	150-2W	-

MODEL	USA	KOR
LOC/NO		
RB35	8-2K-1/2W	-
RB42	47K-2W	-
RB44	56K-2W	-
RB45	56K-2W	-
RB46	56K-2W	-
RB47	56K-2W	-
RB4B	240K-1/2W	-
RB50	4.7-2W-RF	B-2M-1/2W
RB91	4.7M-1/2W	B-2M-1/2W
RL802	12VDC-10A	-



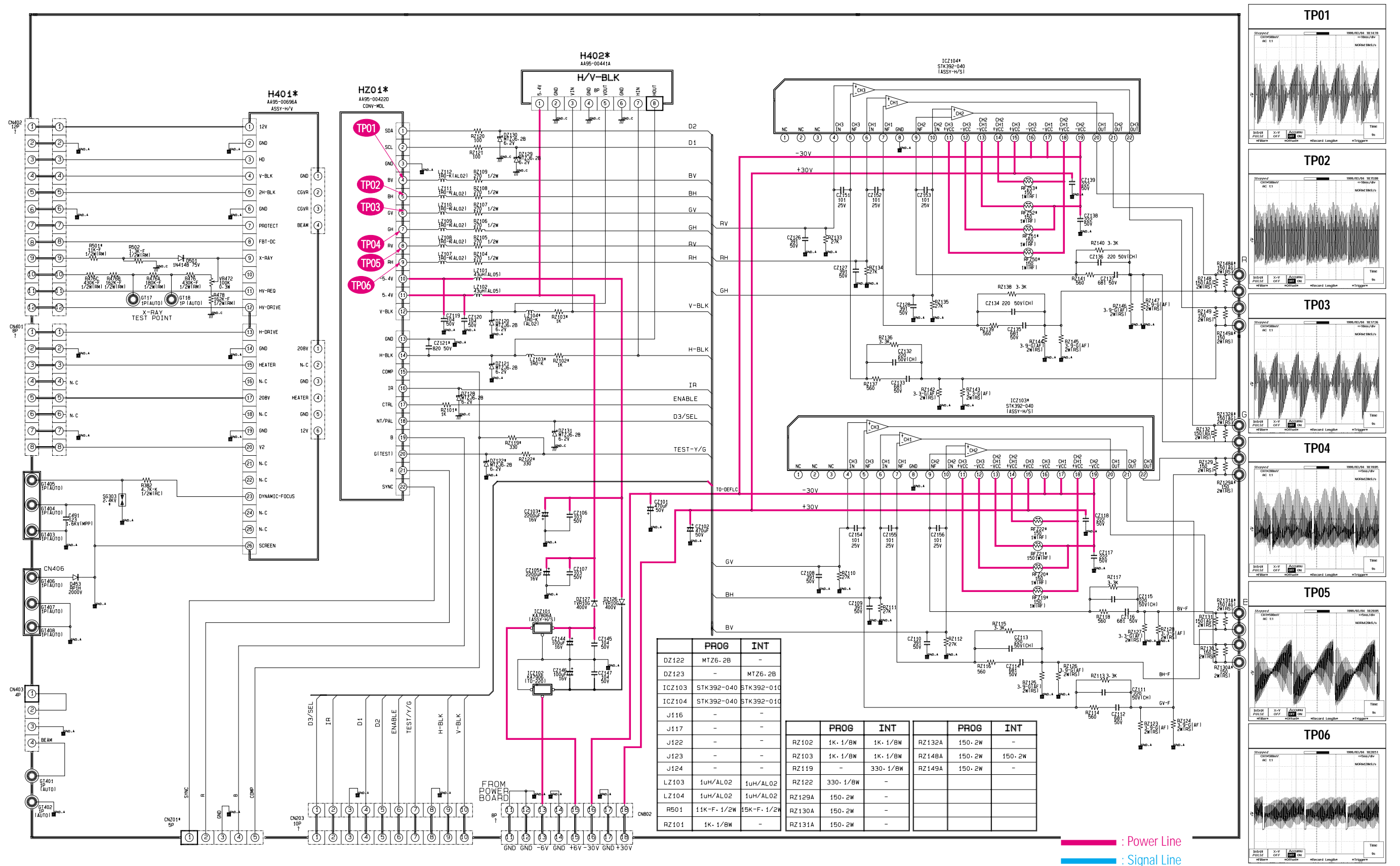
Power Line : —
Signal Line : —

10-7 CRT

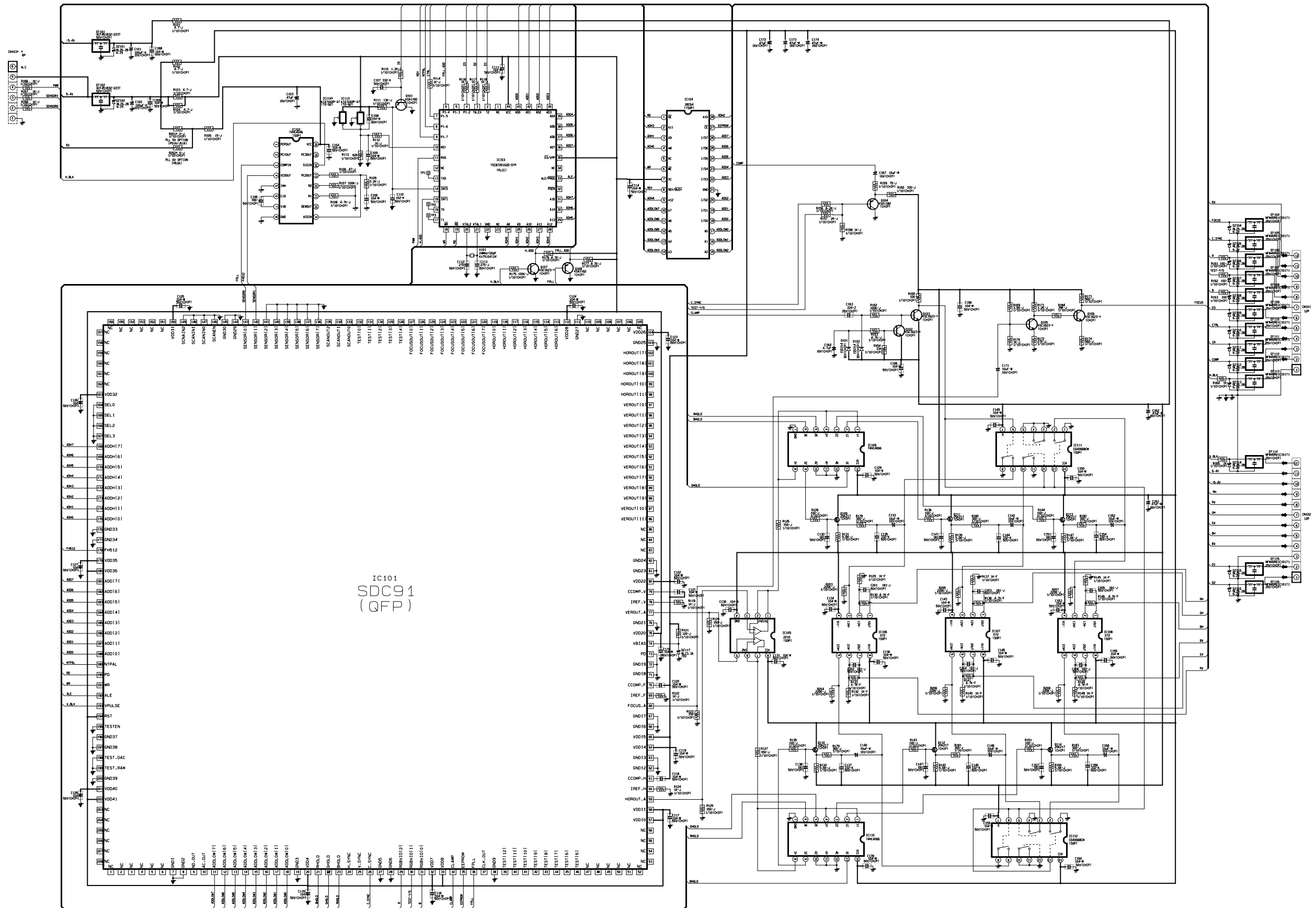


L/C	REGION		BASIC
	P/USA	P/KOR	
C501	-	-	101-50V
C531	-	-	101-50V
C561	-	-	150-50V
J211	-	-	JUMPER
R501	10K-1/8W	10K-1/8W	10-1/8W
R502	820-1/8W	820-1/8W	680-1/8W
R510	82K-1/8W	82K-1/8W	-
R511	1K-1/8W	1K-1/8W	20K-1/8W
R531	-	-	10-1/8W
R540	51K-1/8W	51K-1/8W	82K-1/8W
R561	-	-	10-1/8W

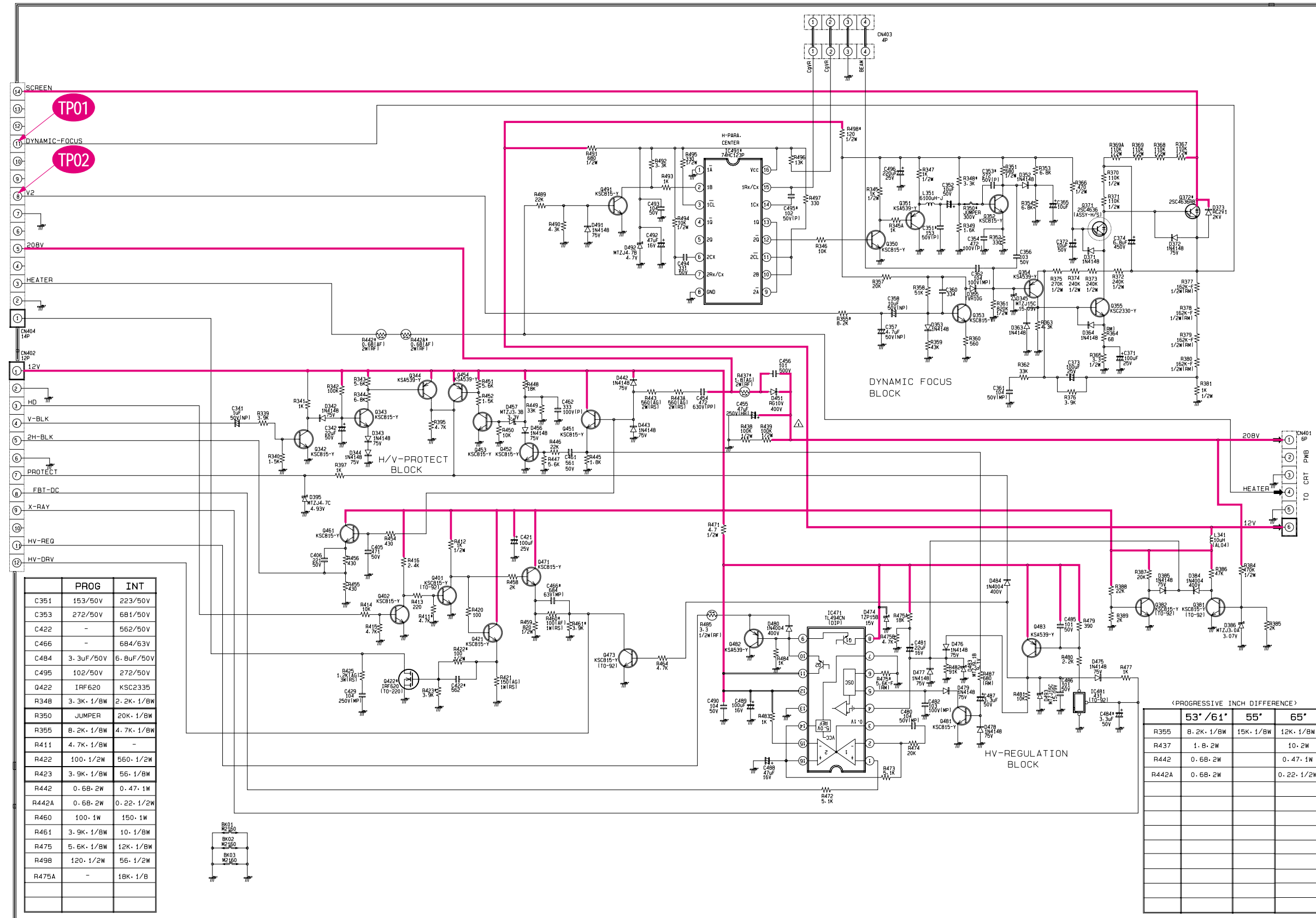
10-8 CONVERGENCE



10-9 CONVERGENCE MDL



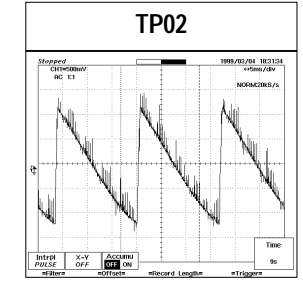
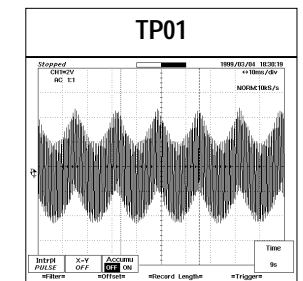
10-10 HV-MODULE



	PROG	INT
C351	153/50V	223/50V
C353	272/50V	681/50V
C422	-	562/50V
C466	-	684/63V
C484	3.3uF/50V	6.8uF/50V
C495	102/50V	272/50V
Q422	1RF620	KSC2335
R348	3.3K·1/BW	2.2K·1/BW
R350	JUMPER	20K·1/BW
R355	8.2K·1/BW	4.7K·1/BW
R411	4.7K·1/BW	-
R422	100·1/2W	560·1/2W
R423	3.9K·1/BW	56·1/BW
R442	0.68·2W	0.47·1W
R442A	0.68·2W	0.22·1/2W
R460	100·1W	150·1W
R461	3.9K·1/BW	10·1/BW
R475	5.6K·1/BW	12K·1/BW
R498	120·1/2W	56·1/2W
R475A	-	18K·1/B

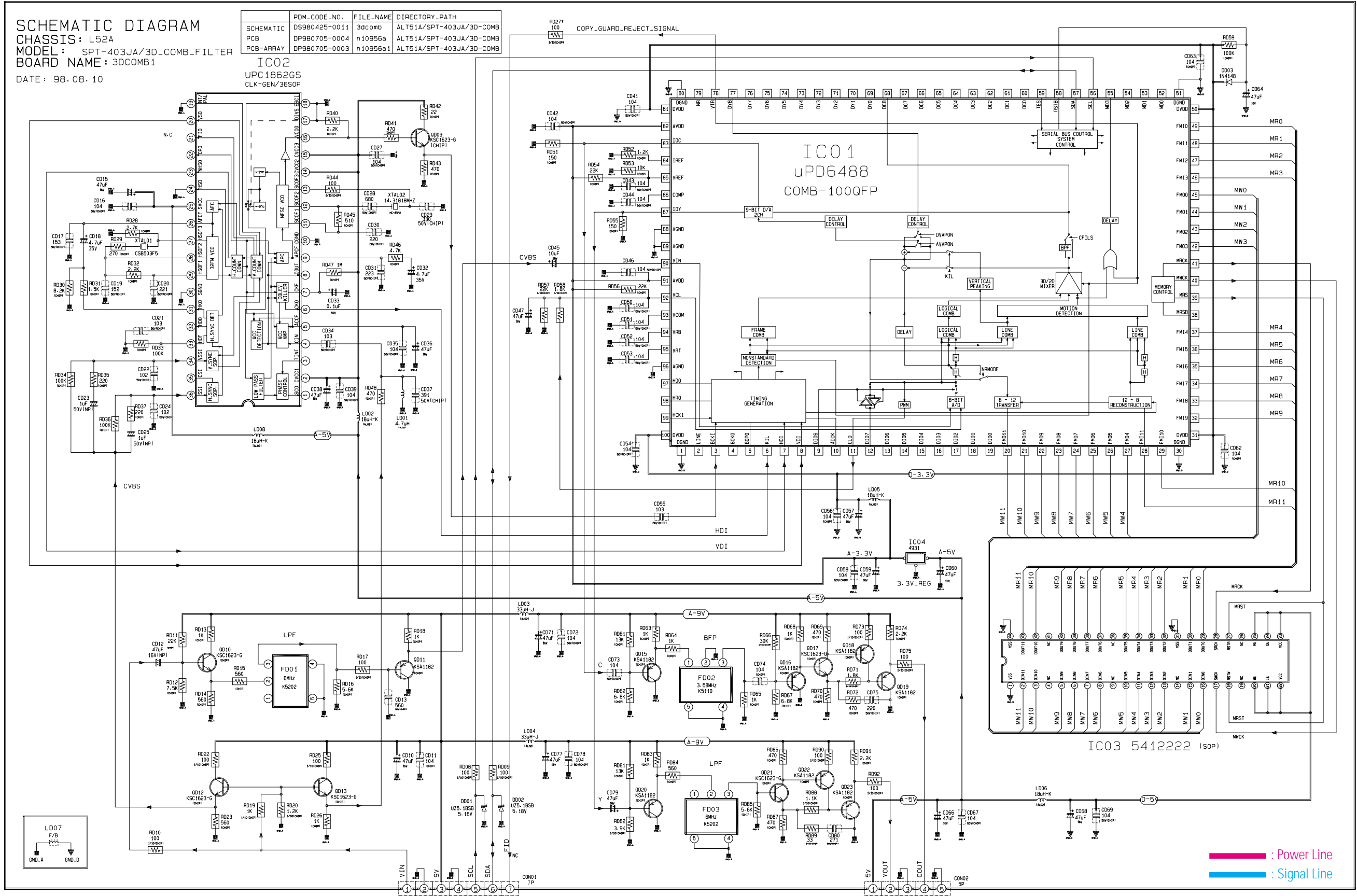
<PROGRESSIVE INCH DIFFERENCE>

	53" / 61"	55"	65"
R355	8.2K·1/BW	15K·1/BW	12K·1/BW
R437	1.8·2W	-	10·2W
R442	0.68·2W	-	0.47·1W
R442A	0.68·2W	-	0.22·1/2W

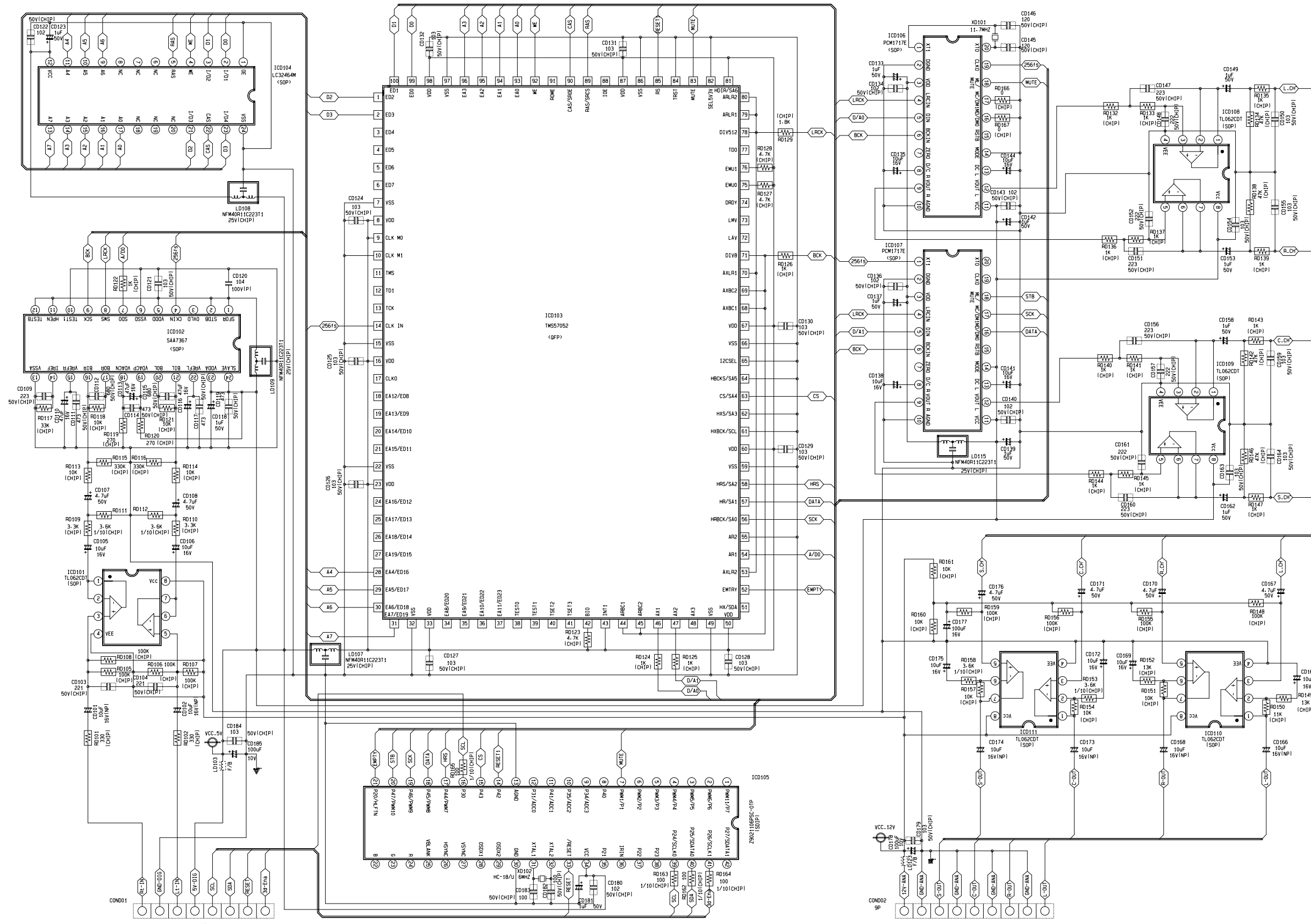


Power Line
Signal Line

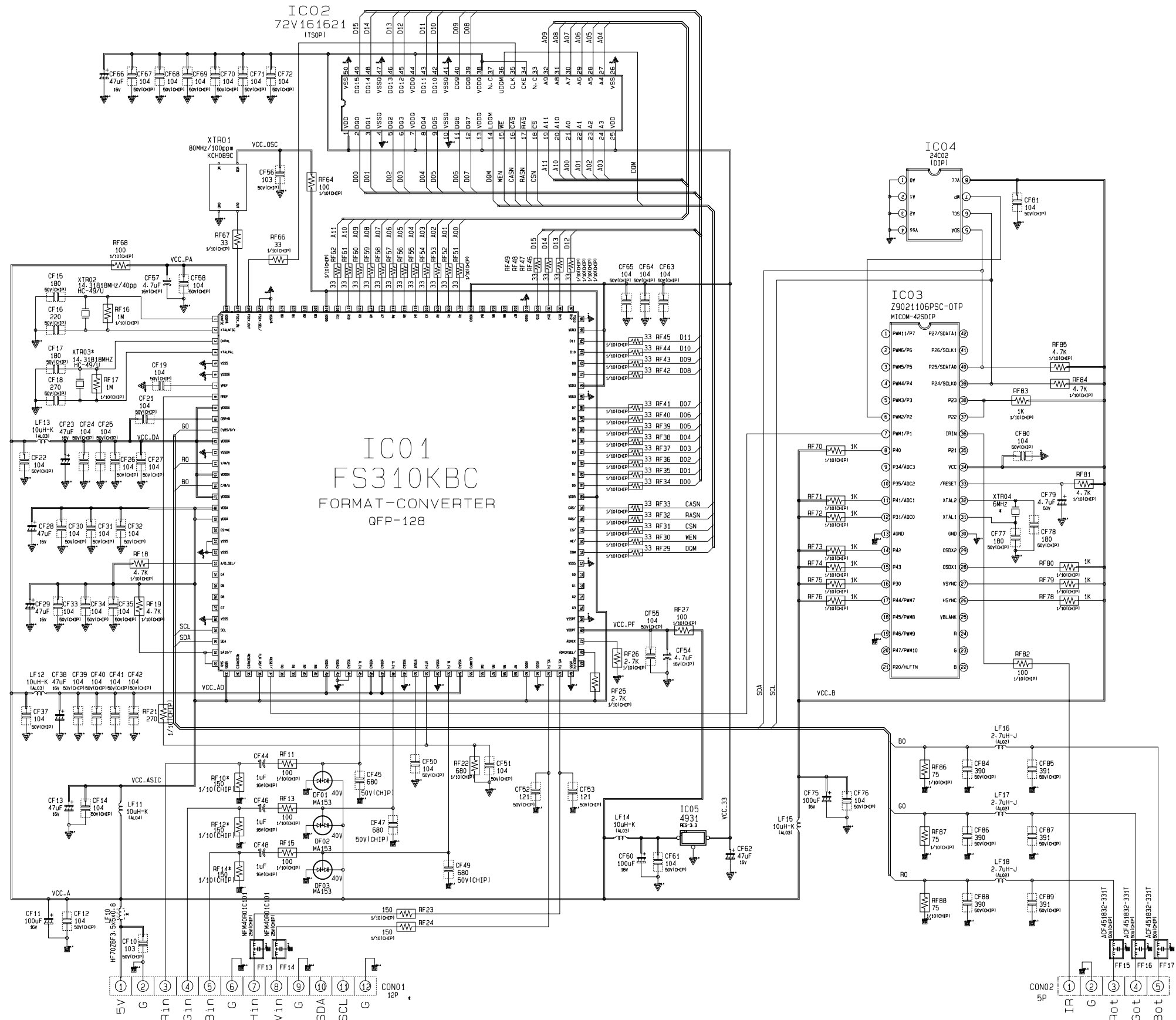
10-11 3D COMB



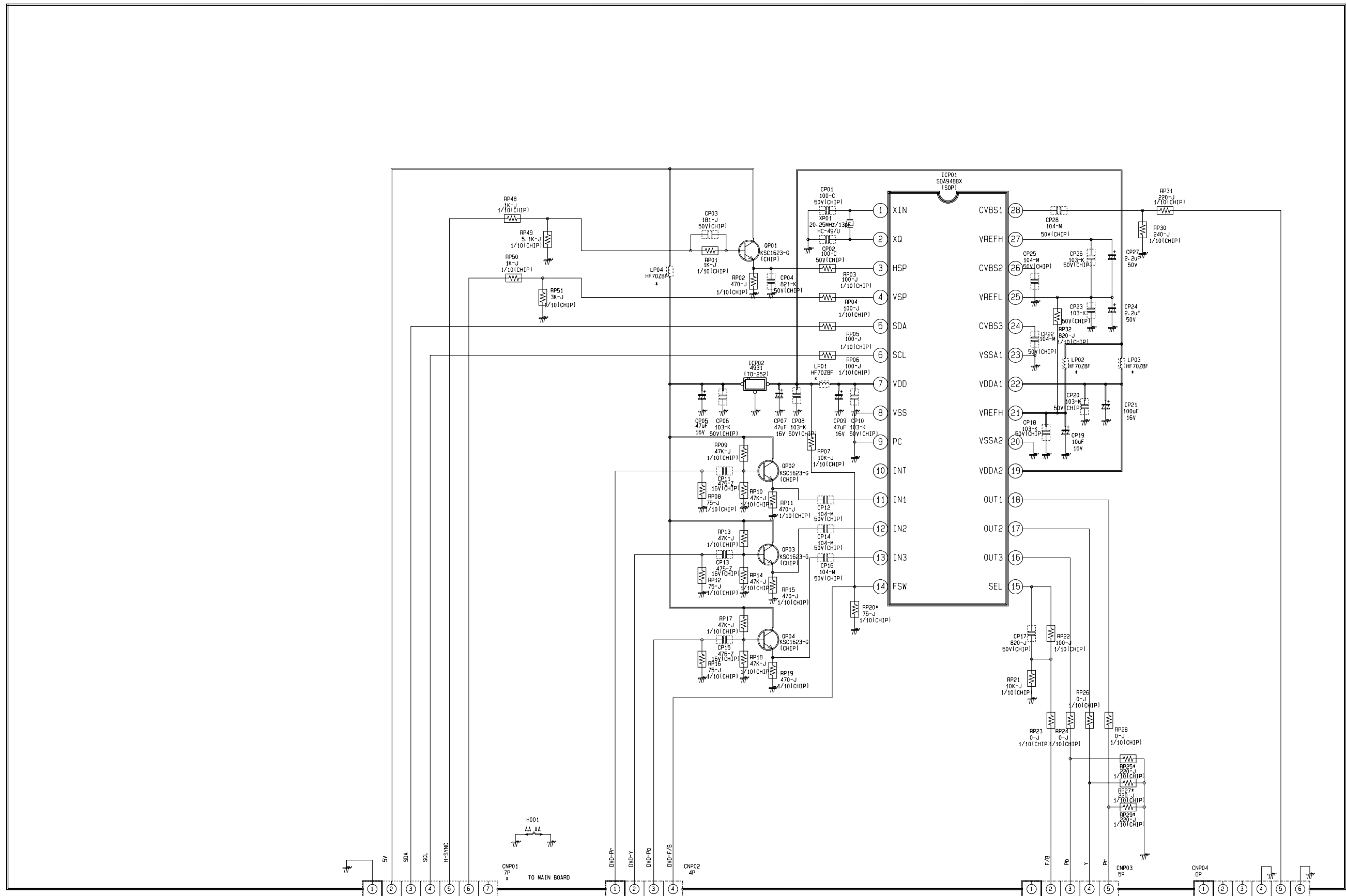
10-12 3D PHONIC



10-13 F/CONVERTER

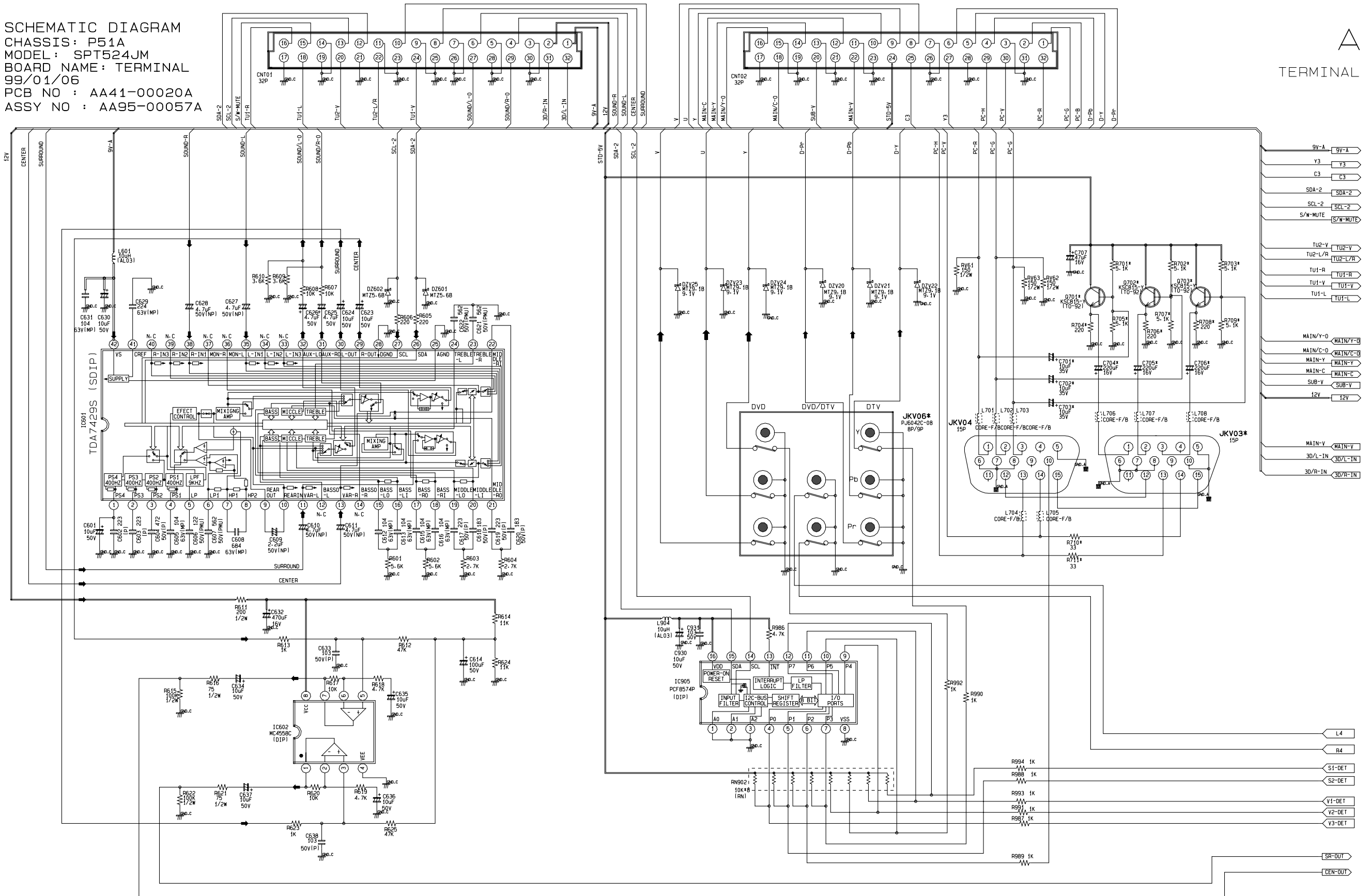


10-14 PIP



10-15 TERMINAL-1

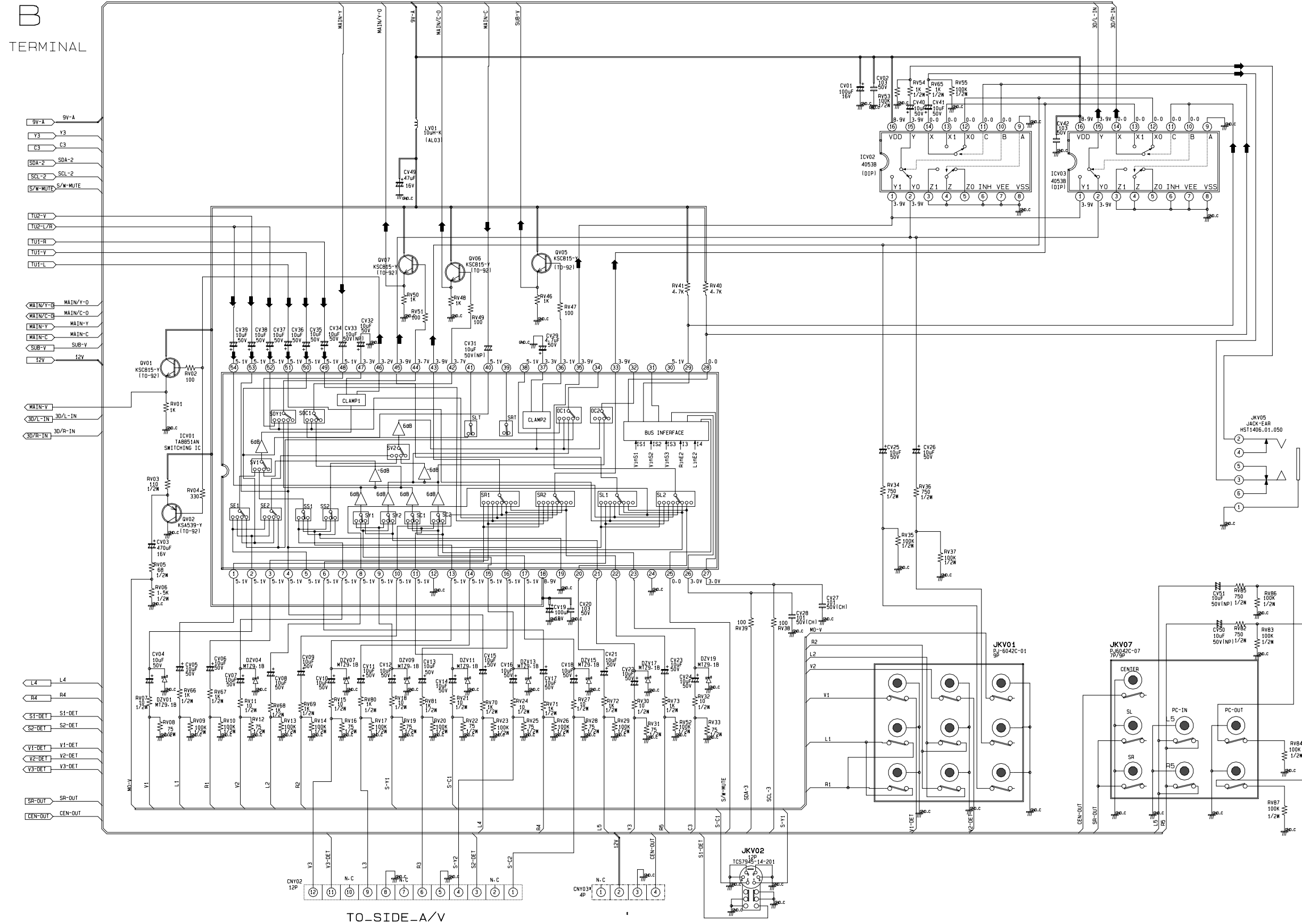
SCHEMATIC DIAGRAM
 CHASSIS: P51A
 MODEL: SPT524JM
 BOARD NAME: TERMINAL
 99/01/06
 PCB NO: AA41-00020A
 ASSY NO: AA95-00057A



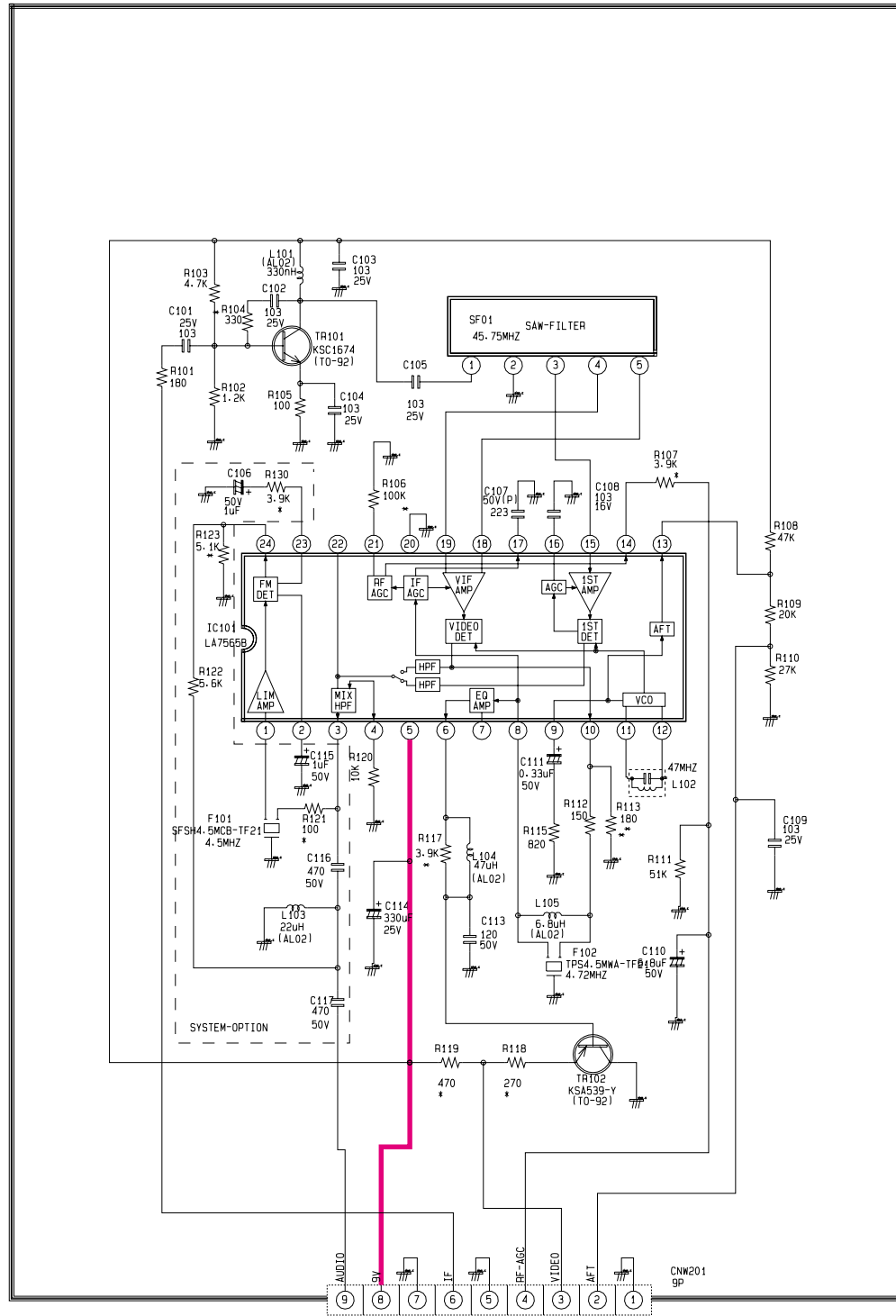
△
 TERMINAL

- 9V-A
- Y3
- C3
- SDA-2
- SCL-2
- S/W-MUTE
- TU2-Y
- TU2-L/R
- TU1-R
- TU1-Y
- TU1-L
- MAIN-Y-D
- MAIN/C-D
- MAIN-Y
- MAIN-C
- SUB-V
- 12V
- MAIN-Y
- 3D/L-IN
- 3D/R-IN
- L4
- R4
- S1-DET
- S2-DET
- Y1-DET
- Y2-DET
- Y3-DET
- SR-OUT
- CEN-OUT

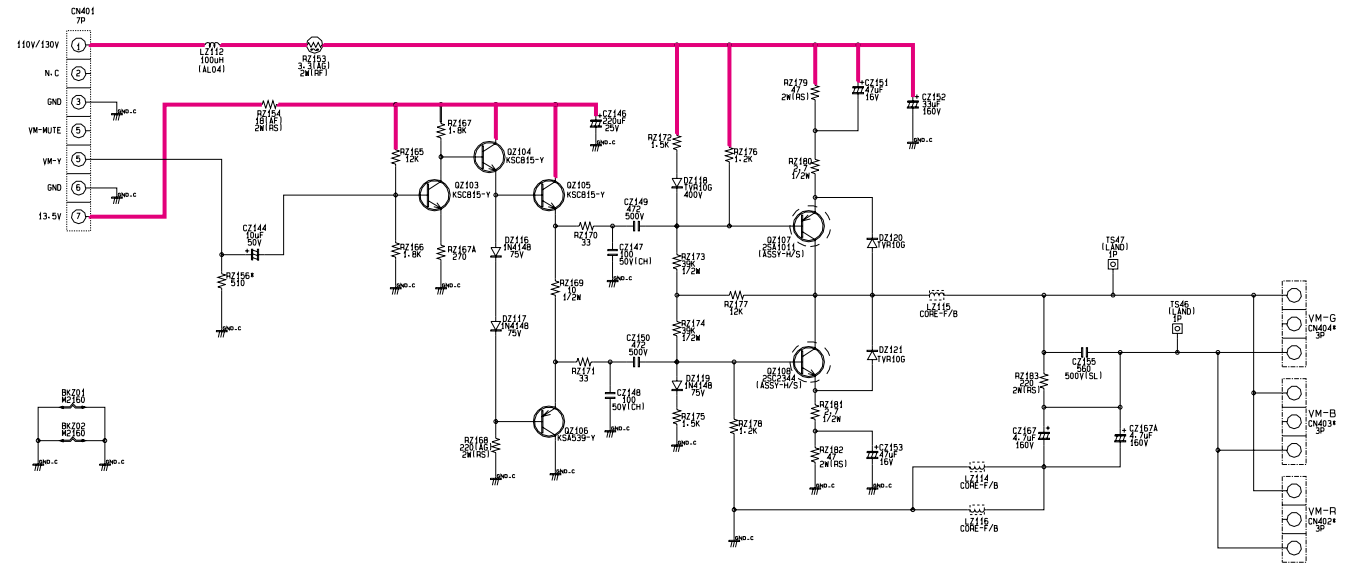
10-16 TERMINAL-2



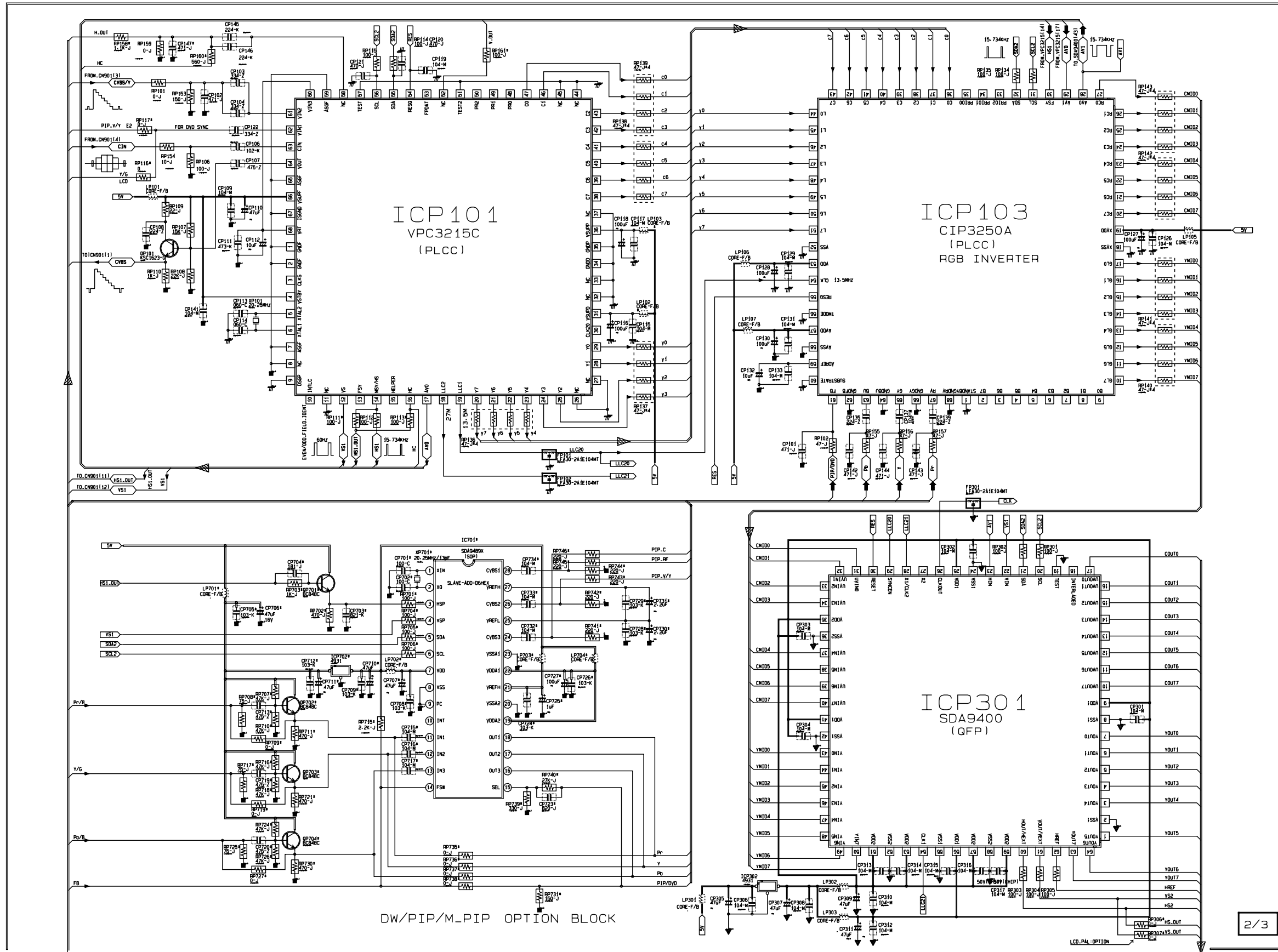
10-17 IF V/M MODULE



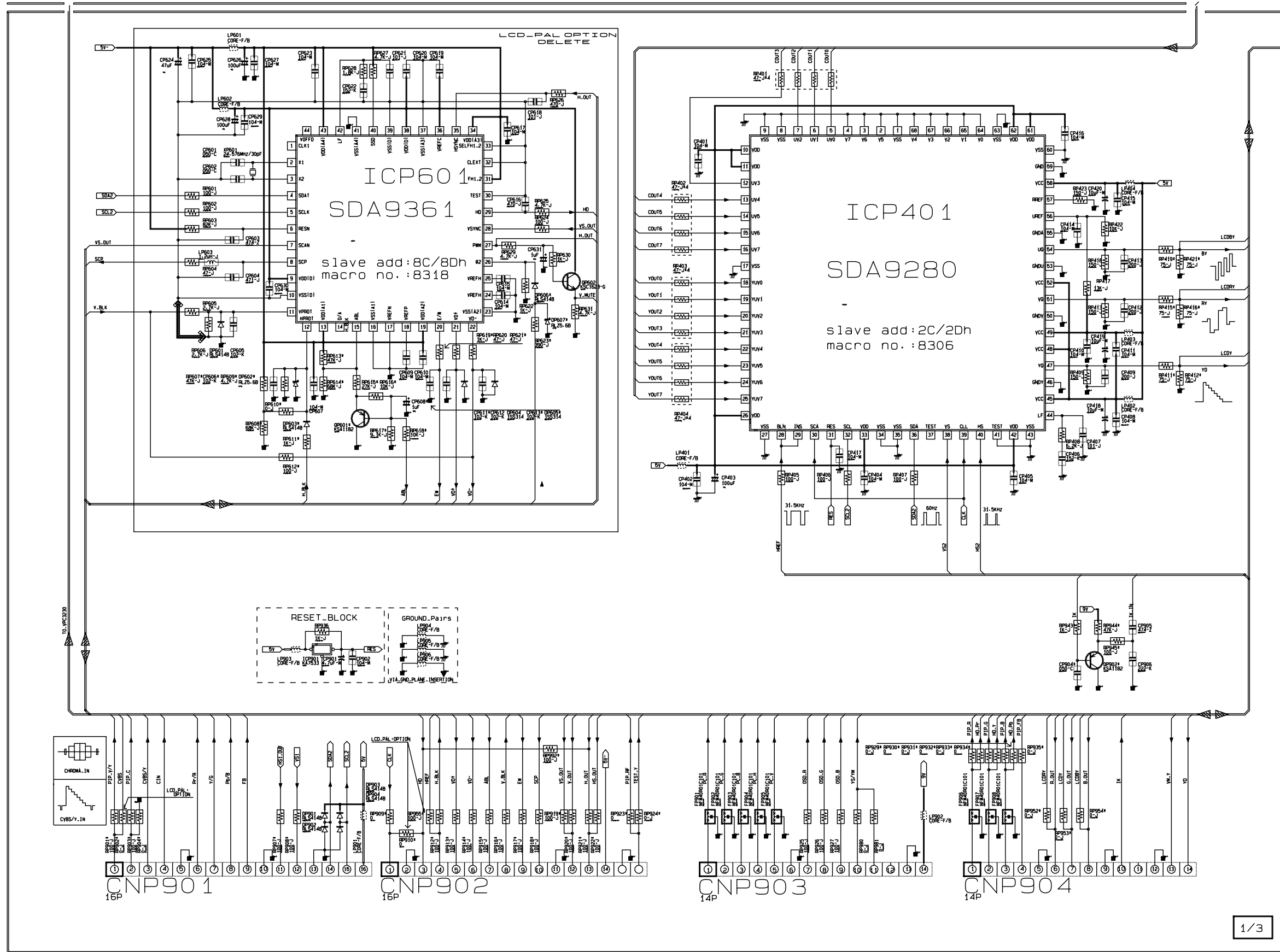
LOC.	KOR	USA
C117	50V47PF	JUMPER
C116	50V47PF	DEL
L103	AL0210UH	DEL
F101	DEL	SFSH4.5MCB
R121	DEL	1/BW100OHM
VR101	DEL	DEL
C106	DEL	50V1UF
C115	DEL	50V1UF
R123	DEL	1/BW5.1KOHM
R122	DEL	1/BW5.6KOHM
R130	DEL	1/BW3.9KOHM



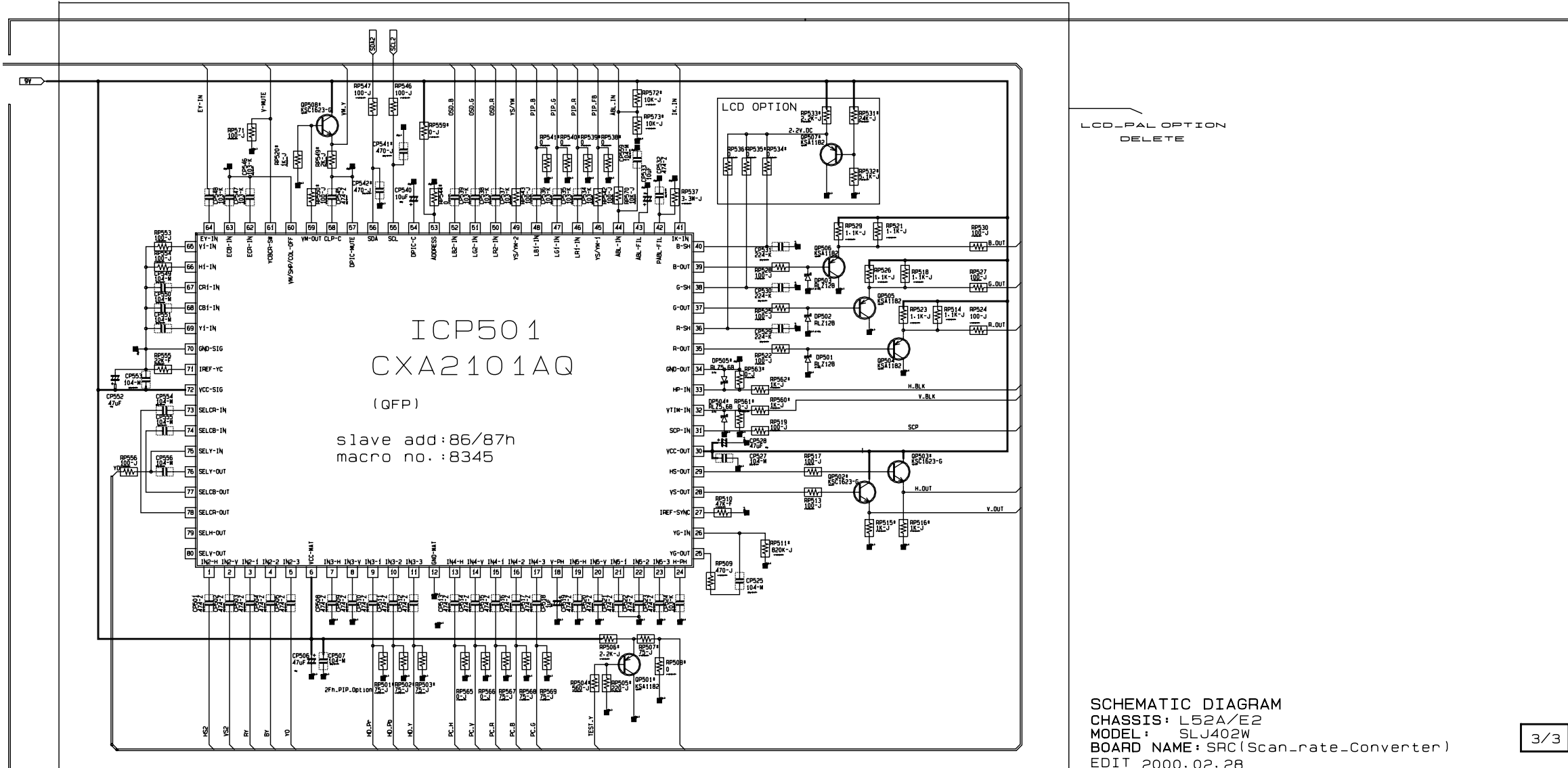
10-18 PROSCAN 1/3



10-19 PROSCAN 2/3



10-20 PROSCAN 3/3



LOCATION	SPEC	E2WISC	E2.PAL	LC0WISC	LC0.PAL	LOCATION	SPEC	E2WISC	E2.PAL	LC0WISC	LC0.PAL	LOCATION	SPEC	PIPI01	E2.PAL	PIPIx1	LOCATION	SPEC	PIPI01	E2.PAL	PIPIx1	LOCATION	SPEC	PIPI01	E2.PAL	PIPIx1
RP107	15K-J	0	X	0	0	RP563	0-J	0	0	0	-	RP701	100-J	0	X	X	RP746	220-J	0	X	X	ICP701	SDA9499X	0	X	X
RP108	22K-J	0	0-J	0	0	RP567	47K-J	X	X	0	-	RP702	47K-J	0	X	X	CP702	4931	0	X	X	ICP702	4931	0	X	X
RP109	22-J	0	X	0	0	RP568	68K-J	X	X	0	-	RP703	1K-J	0	X	X	LP701	CORE_F/B	0	X	X	LP701	CORE_F/B	0	X	X
RP110	1K-J	0	X	0	0	RP569	4.7K-J	0	0	X	-	RP704	100-J	0	X	X	LP702	CORE_F/B	0	X	X	LP702	CORE_F/B	0	X	X
RP111	100-J	X	X	0	0	RP570	0-J	0	0	X	-	RP705	100-J	0	X	X	CP704	181-J	0	X	X	LP703	CORE_F/B	0	X	X
RP113	100-J	0	0	X	X	RP571	0-J	X	X	0	-	RP706	100-J	0	X	X	CP705	103-K	0	X	X	LP704	CORE_F/B	0	X	X
RP116	0-J	X	X	X	0	RP572	1K-J	0	0	X	-	RP707	47K-J	0	X	X	CP706	47uF	0	X	X	QP701	BC84BC	0	X	X
RP117	0-J	0	0	0	0	RP573	100-J	X	X	0	-	RP708	75-J	0	X	X	CP707	47uF	0	X	X	QP702	BC84BC	0	X	X
RP159	75-J	X	X	0	0	RP574	27K-J	X	X	X	-	RP709	100-J	X	0	0	CP708	103-K	0	X	X	QP703	BC84BC	0	X	X
RP305	0-J	X	X	X	0	RP575	10K-J	X	X	X	-	RP710	47K-J	0	X	X	CP709	103-K	0	X	X	QP704	BC84BC	0	X	X
RP307	0-J	X	X	X	0	RP576	390-J	X	X	X	-	RP711	47K-J	0	X	X	CP710	47uF	0	X	X	XP701	20.25MHz	0	X	X
RP412*	75-J	0	0	0	0	CP606	102-K	X	X	X	-	RP715	2.2K-J	0	X	X	CP711	47uF	0	X	X	RP903	100-J	0	X	X
RP416*	150-J	0	0	0	X	CP611	102-K	0	0	X	-	RP716	47K-J	0	X	X	CP712	103-K	0	X	X	RP713	475-Z	0	X	X
RP421*	150-J	0	0	0	X	CP613	102-K	0	0	X	-	RP717	75-J	0	X	X	CP713	475-Z	0	X	X	RP904	0-J	X	0	0
RP501	75-J	0	0-J	0	-	CP904	050-C	0	0	X	X	RP718	47K-J	0	X	X	CP715	104-M	0	X	X	RP923	0-J	0	X	X
RP502	75-J	0	0-J	0	-	CP905	474-Z	0	0	0	X	RP719	0-J	X	0	0	CP716	104-M	0	X	X					
RP503	75-J	0	0-J	0	-	RP913	100-J	0	0	X	X	RP721	470-J	0	X	X	CP717	104-M	0	X	X					
RP504	560-J	0	0	X	-	RP914	100-J	0	0	X	X	RP724	47K-J	0	X	X	CP719	475-Z	0	X	X					
RP505	220-J	0	0	X	-	RP915	100-J	0	0	X	X	RP725	75-J	0	X	X	CP720	475-Z	0	X	X					
RP506	390-J	0	0	X	-	CP108	224-Z	0	0	X	0	RP726	47K-J	0	X	X	CP723	820-J	0	X	X					
RP507	75-J	0	0	X	-	CP606	102-K	X	X	X	-	RP727	0-J	X	0	0	CP724	103-K	0	X	X					
RP508	0-J	X	X	0	-	CP611	102-K	0	0	X	-	RP730	470-J	0	X	X	CP725	1uF	0	X	X					
RP534	0-J	X	X	0	-	CP613	102-K	0	0	X	-	RP731	151-J	X	0	0	CP726	103-K	0	X	X					
RP535	0-J	X	X	0	-	CP904	050-C	0	0	X	X	RP735	0-J	X	0	0	CP727	100uF	0	X	X					
RP536	0-J	X	X	0	-	RP920	100-J	0	0	X	0	RP736	0-J	X	0	0	CP728	103-K	0	X	X					
RP538	0-J	0	X	0	-	DP602	0-J	X	X	X	0	RP737	0-J	X	0	0	CP729	103-K	0	X	X					
RP539	0-J	0	X	0	-	DP603	RL5414B	0	0	X	X	RP738	0-J	X	100-J	0	CP726	2.2uF	0	X	X					
RP540	0-J	0	X	0	-	DP605	1S5314	0	0	0	X	RP739	330-J	0	X	X	CP731	2.2uF	0	X	X					
RP541	0-J	0	X	0	-	DP606	RL5414B	0	0	X	X	RP740	27K-J	0	X	X	CP732	104-M	0	X	X					
RP544	0-J	0	X	0	-	DP607	D175-1A	0	0	X	X	RP741	220-J	0	X	X	CP733	104-M	0	X	X					
RP550	0-J	X	X	0	-	RP919	100-J	X	0	0	0	RP742	220-J	0	X	X	CP734	104-M	0	X	X					
RP560	1K-J	X	X	X	-	RP920	100-J	0	0	X	0	RP743	220-J	0	X	X	RP903	100-J	0	X	X					
RP561	0-J	0	0	0	-	RP921	100-J	0	0	X	0	RP744	220-J	0	X	X	RP904	0-J	X	0	0					
RP562	1K-J	X	X	X	-	RP922	100-J	X	X	0	0	RP745	220-J	0	X	X	RP923	0-J	0	X	X					

Power Line
Signal Line

10-21 CHROMA (INTERLACE ONLY)

